

# WATERPROOF CONNECTOR CABLE CATALOGUE

## KLS ELECTRONIC CO.,LTD.

www.cnkls.com

www.klsele.com

Tel: +86-574-86828566 Fax: +86-574-86824882



ISO9001:2008

Your Best Components Sourcing

## CONTENTS

**02**  
RF Connectors \* RF Cable  
Assemblies \* Antennas

**05**  
Buzzers



**11**  
LEDs \* LED Displays \*  
LCD Displays \*  
LCD Modules

**14**  
Ethernet Connectors

Flat Cables \*  
Cable Assemblies  
**17**

**01**  
Connectors



**06** Potentiometers

**15**  
Quartz Crystal Units  
Ceramic Resonators

Inductors \* Transformer

**18**

**03**  
Audio Connectors \*  
Video Connectors

**07**  
Fuses \* Fuse Holders

**08**  
Resistors

**16**  
PCB \* PCB Assembly



**19**  
Discrete  
Semiconductors

**04**  
Terminal Blocks



**09**  
Switches



**12**  
Capacitors



**20**  
Relays



**10**  
Wiring Accessories

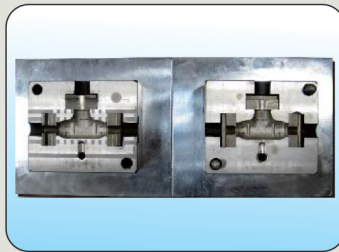
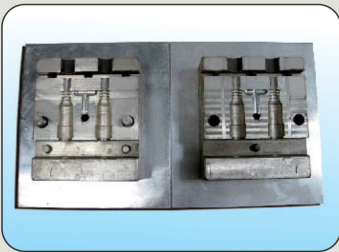
Energy Meter Accessories

**13**

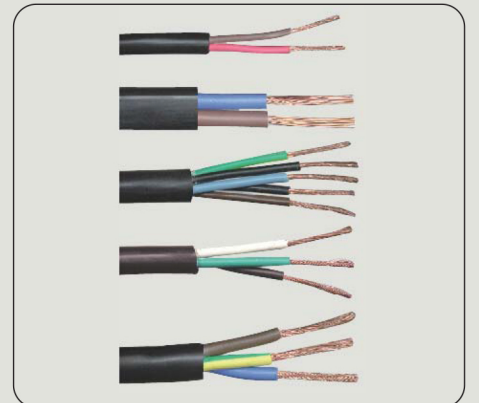
## Factory Real Landscape



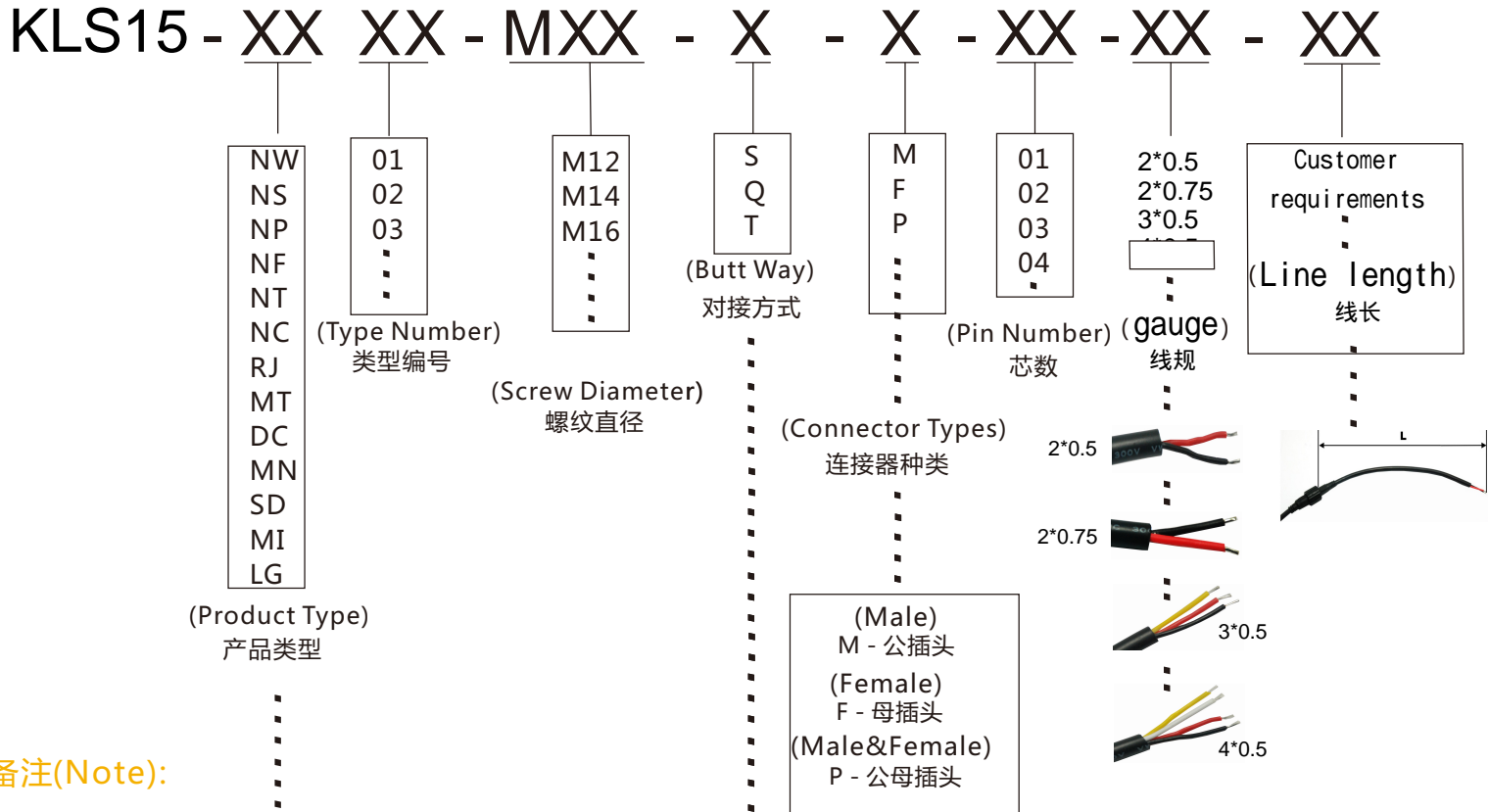
## Mold Making



## Cable Extrusion



# 命名规则 ( Part Name System )



## 备注(Note):

(Nylon Welding Series)  
NW - 尼龙焊锡系列

(Nylon Screw Series)  
NS - 尼龙螺丝系列

(Nylon Panel Series)  
NP - 尼龙面板系列

(Nylon F Type Distribution Series)  
NF - 尼龙F型分线系列

(Nylon T Series)  
NT - 尼龙三通系列

(Nylon Connector Series)  
NC - 尼龙带线

(Rj45 Connector Series)  
RJ - RJ45系列

(Metal Series)  
MT - 金属系列

(DC Series)  
DC - DC系列

(MINI Series)  
MN - 迷你系列

(Standard Series)  
SD - 标准系列

(Middle Series)  
MI - 中标系列

(Large Series)  
LG - 大功率系列

(Screw Type)  
S - 螺纹式

(Quick Type)  
Q - 快卡式

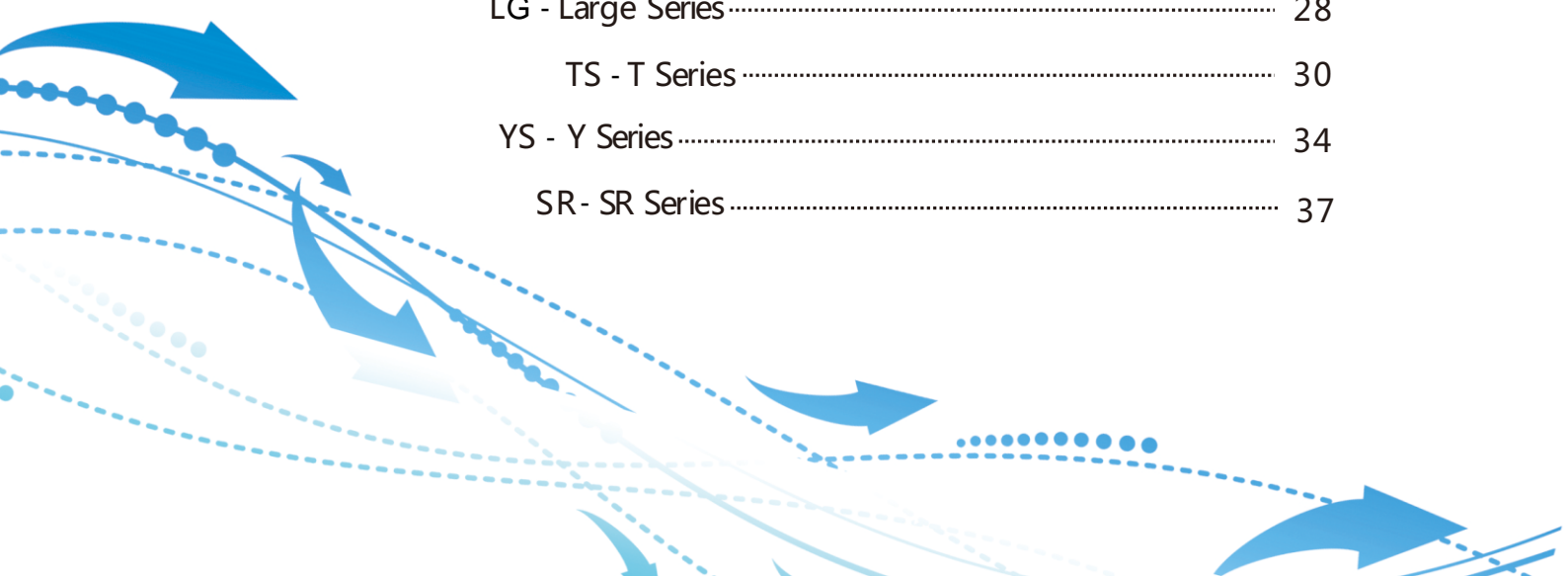
(Push Lock Type)  
T - 自卡式



# C 目录 atalogue

---

NW - Nylon Welding Series .....	1
NS - Nylon Screw Series .....	4
NP - Nylon Panel Series .....	6
NF - Nylon F Type Push Lock Distribution Series .....	10
NF - Nylon F Type Screw Distribution Series .....	12
NT - Nylon T Series.....	13
NC - Nylon Connector Series.....	15
RJ - Rj45 Connector Series .....	16
MT - Metal Series .....	17
DC - DC Series.....	19
MN - MINI Series.....	21
SD - Standard Series.....	24
MI - Middle Series .....	26
LG - Large Series.....	28
TS - T Series .....	30
YS - Y Series.....	34
SR- SR Series.....	37



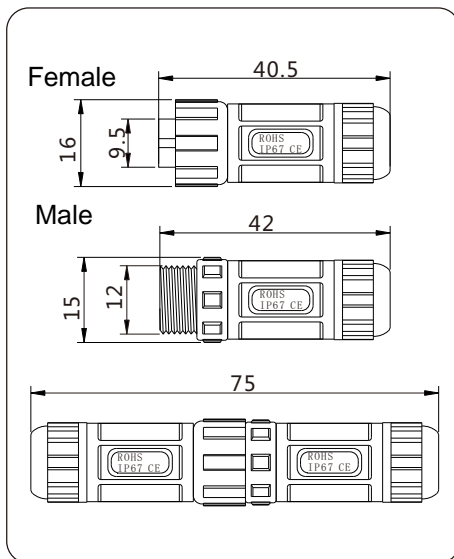
# WATERPROOF CONNECTOR

## Nylon Welding Series

Name: NW-M12 Nylon Welding-01



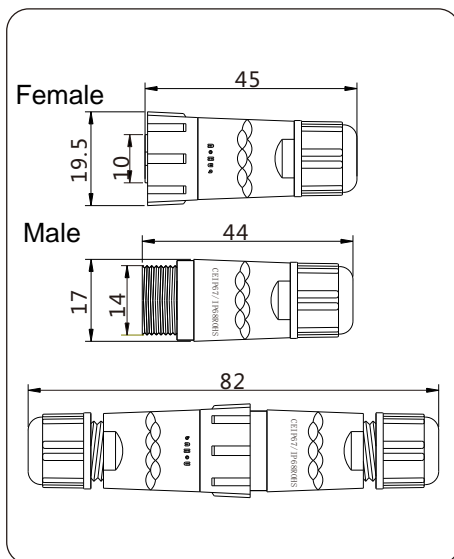
- 1.料号(Part No.): KLS15-NW01-M12-S-P-03
- 2.注塑材质(Material): 尼龙(Nylon)
- 3.最大线径(Max Cable OD): 7.2mm
- 4.可选芯数(Pin): 2、3、4
- 5.防水等级(Waterproof Level): IP68
- 6.线材可选(Cable): PVC、橡胶(Rubber)、硅胶(Silicon)
- 7.工作温度(Temperature Rating): -40° ~ +105°
- 8.接触电阻(Contact Resistance): <10mΩ



Name: NW-M14 Nylon Welding-02



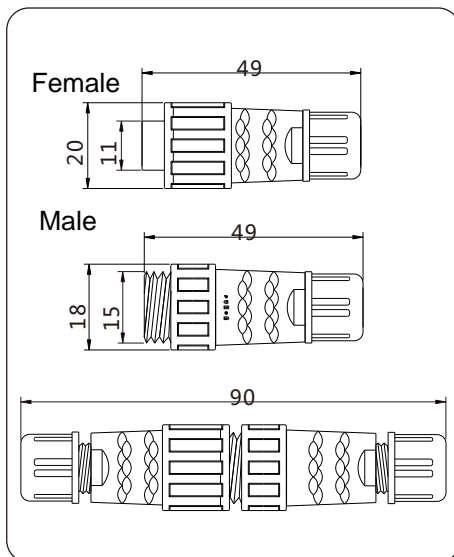
- 1.料号(Part No.): KLS15-NW02-M14-S-P-03
- 2.注塑材质(Material): 尼龙(Nylon)
- 3.最大线径(Max Cable OD): 7.2mm
- 4.可选芯数(Pin): 2、3
- 5.防水等级(Waterproof Level): IP68
- 6.线材可选(Cable): PVC、橡胶(Rubber)、硅胶(Silicon)
- 7.工作温度(Temperature Rating): -40° ~ +105°
- 8.接触电阻(Contact Resistance): <10mΩ



Name: NW-M15 Nylon Welding-03



- 1.料号(Part No.): KLS15-NW03-M15-S-P-03
- 2.注塑材质(Material): 尼龙(Nylon)
- 3.最大线径(Max Cable OD): 7.2mm
- 4.可选芯数(Pin): 2、3、4、5、6、8、10
- 5.防水等级(Waterproof Level): IP68
- 6.线材可选(Cable): PVC、橡胶(Rubber)、硅胶(Silicon)
- 7.工作温度(Temperature Rating): -40° ~ +105°
- 8.接触电阻(Contact Resistance): <10mΩ



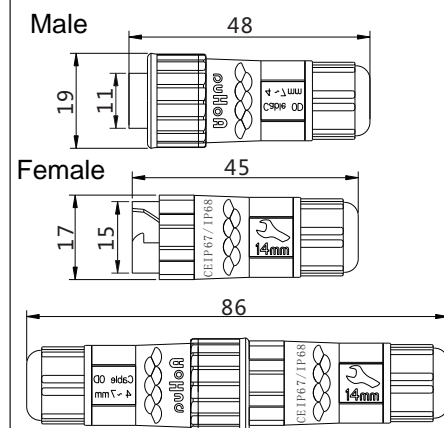
## WATERPROOF CONNECTOR

### Nylon Welding Series

Name: NW-M15 Nylon Welding-04 (Push Lock)



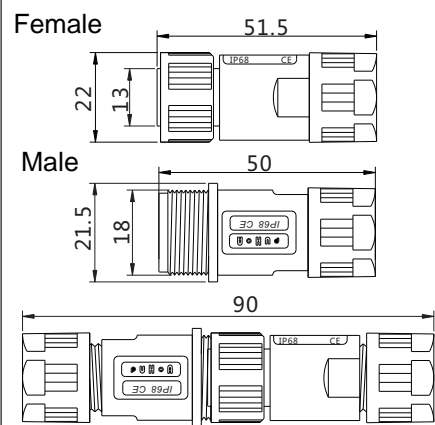
- 1.料号(Part No.): KLS15-NW04-M15-T-P-03
- 2.注塑材质(Material): 尼龙(Nylon)
- 3.最大线径(Max Cable OD): 7.2mm
- 4.可选芯数(Pin): 2、3、4
- 5.防水等级(Waterproof Level): IP67
- 6.线材可选(Cable): PVC、橡胶(Rubber)、硅胶(Silicon)
- 7.工作温度(Temperature Rating): -40° ~ +105°
- 8.接触电阻(Contact Resistance): <10mΩ



Name: NW-M18 Nylon Welding-05



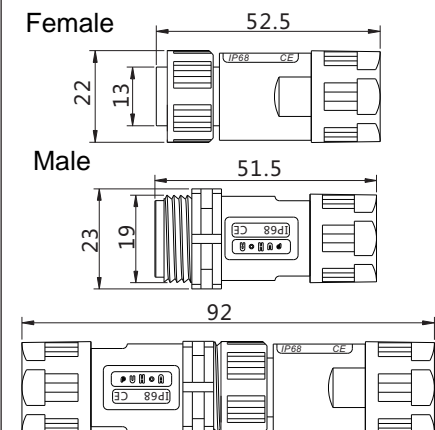
- 1.料号(Part No.): KLS15-NW05-M18-S-P-05
- 2.注塑材质(Material): 尼龙(Nylon)
- 3.最大线径(Max Cable OD): 8.3mm
- 4.可选芯数(Pin): 2、3、4、5
- 5.防水等级(Waterproof Level): IP68
- 6.线材可选(Cable): PVC、橡胶(Rubber)、硅胶(Silicon)
- 7.工作温度(Temperature Rating): -40° ~ +105°
- 8.接触电阻(Contact Resistance): <10mΩ



Name: NW-M19 Nylon Welding-06



- 1.料号(Part No.): KLS15-NW06-M19-S-P-03
- 2.注塑材质(Material): 尼龙(Nylon)
- 3.最大线径(Max Cable OD): 8.3mm
- 4.可选芯数(Pin): 2、3、4、5
- 5.防水等级(Waterproof Level): IP68
- 6.线材可选(Cable): PVC、橡胶(Rubber)、硅胶(Silicon)
- 7.工作温度(Temperature Rating): -40° ~ +105°
- 8.接触电阻(Contact Resistance): <10mΩ



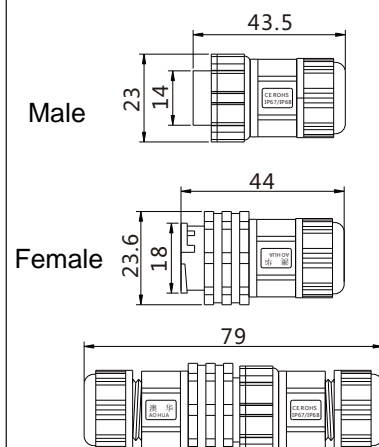
## WATERPROOF CONNECTOR

### Nylon Welding Series

Name: NW-M18 Nylon Welding-07 (Push Lock)



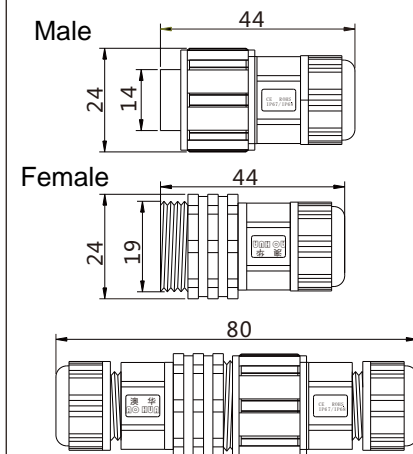
- 1.料号(Part No.):  
KLS15-NW07-M18-Q-P-03
- 2.注塑材质(Material):  
尼龙(Nylon)
- 3.最大线径(Max Cable OD):  
10.0mm
- 4.可选芯数(Pin):  
2、3、5、7
- 5.防水等级(Waterproof Level):  
IP67
- 6.线材可选(Cable):  
PVC、橡胶(Rubber)、硅胶(Silicon)
- 7.工作温度(Temperature Rating):  
-40° ~ +105°
- 8.接触电阻(Contact Resistance):  
<10mΩ



Name: NW-M19 Nylon Welding-08



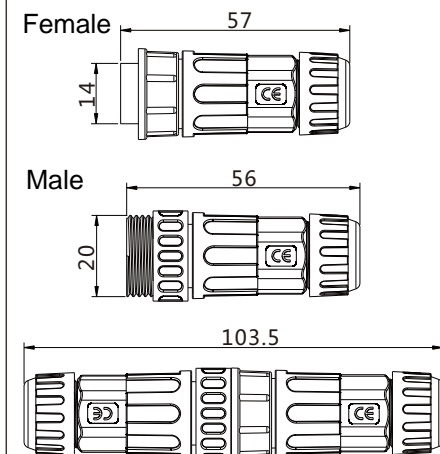
- 1.料号(Part No.):  
KLS15-NW08-M19-S-P-03
- 2.注塑材质(Material):  
尼龙(Nylon)
- 3.最大线径(Max Cable OD):  
10.0mm
- 4.可选芯数(Pin):  
2、3、5、7
- 5.防水等级(Waterproof Level):  
IP68
- 6.线材可选(Cable):  
PVC、橡胶(Rubber)、硅胶(Silicon)
- 7.工作温度(Temperature Rating):  
-40° ~ +105°
- 8.接触电阻(Contact Resistance):  
<10mΩ



Name: NW-M20 Nylon Welding-09



- 1.料号(Part No.):  
KLS15-NW09-M20-S-P-02
- 2.注塑材质(Material):  
尼龙(Nylon)
- 3.最大线径(Max Cable OD):  
10.0mm
- 4.可选芯数(Pin):  
2、3
- 5.防水等级(Waterproof Level):  
IP68
- 6.线材可选(Cable):  
PVC、橡胶(Rubber)、硅胶(Silicon)
- 7.工作温度(Temperature Rating):  
-40° ~ +105°
- 8.接触电阻(Contact Resistance):  
<10mΩ



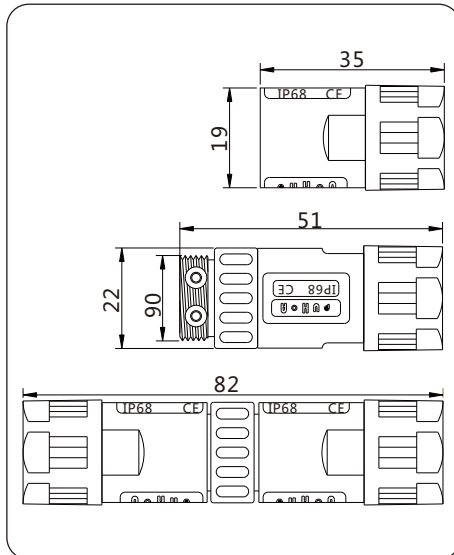
# WATERPROOF CONNECTOR

## Nylon Screw Series

Name: NS-M15 Nylon Screw-01



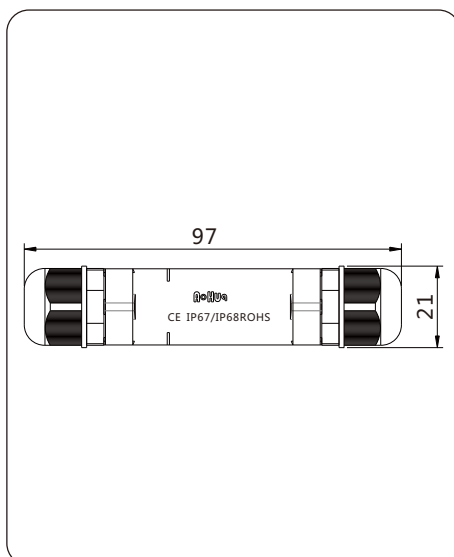
- 1.料号(Part No.): KLS15-NS01-M15-S-P-02
- 2.注塑材质(Material): 尼龙(Nylon)
- 3.最大线径(Max Cable OD): 10.0mm
- 4.可选芯数(Pin): 2、3、4
- 5.防水等级(Waterproof Level): IP68
- 6.线材可选(Cable): PVC、橡胶(Rubber)、硅胶(Silicon)
- 7.工作温度(Temperature Rating): -40° ~ +105°
- 8.接触电阻(Contact Resistance): <10mΩ



Name: NS-M15 Nylon Screw-02



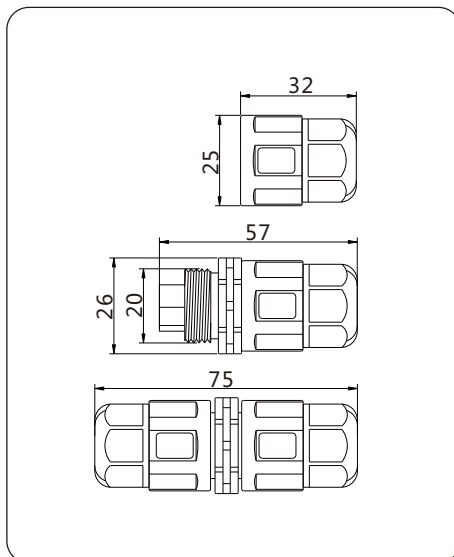
- 1.料号(Part No.): KLS15-NS02-M15-S-P-03
- 2.注塑材质(Material): 尼龙(Nylon)
- 3.最大线径(Max Cable OD): 8.3mm
- 4.可选芯数(Pin): 3
- 5.防水等级(Waterproof Level): IP68
- 6.线材可选(Cable): PVC、橡胶(Rubber)、硅胶(Silicon)
- 7.工作温度(Temperature Rating): -40° ~ +105°
- 8.接触电阻(Contact Resistance): <10mΩ



Name: NS-M20 Nylon Screw-03



- 1.料号(Part No.): KLS15-NS03-M20-S-P-02
- 2.注塑材质(Material): 尼龙(Nylon)
- 3.最大线径(Max Cable OD): 10.0mm
- 4.可选芯数(Pin): 2、3
- 5.防水等级(Waterproof Level): IP67
- 6.线材可选(Cable): PVC、橡胶(Rubber)、硅胶(Silicon)
- 7.工作温度(Temperature Rating): -40° ~ +105°
- 8.接触电阻(Contact Resistance): <10mΩ





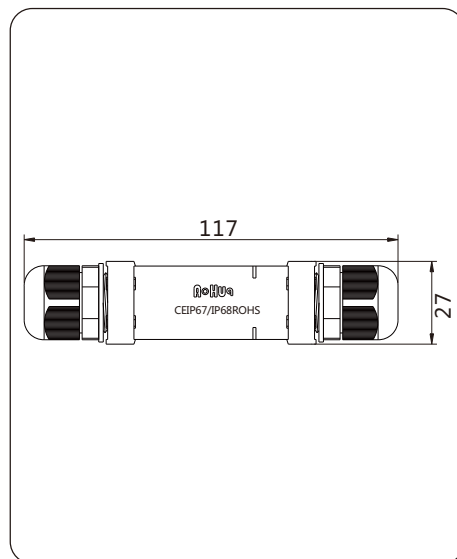
# WATERPROOF CONNECTOR

## Nylon Screw Series

Name: NS-M19 Nylon Screw-04



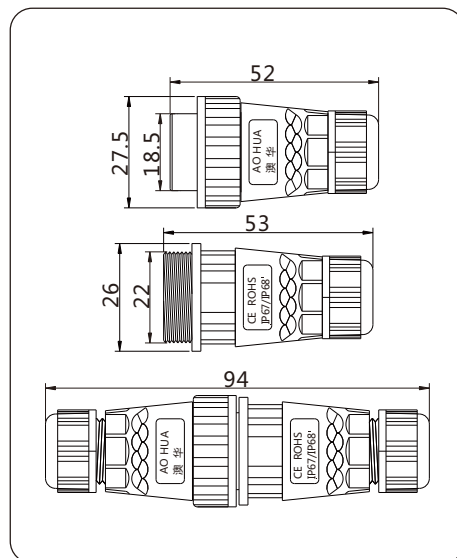
- 1.料号(Part No.):  
KLS15-NS04-M19-S-P-03
- 2.注塑材质(Material):  
尼龙(Nylon)
- 3.最大线径(Max Cable OD):  
12.0mm
- 4.可选芯数(Pin):  
3、4
- 5.防水等级(Waterproof Level):  
IP68
- 6.线材可选(Cable):  
PVC、橡胶(Rubber)、硅胶(Silicon)
- 7.工作温度(Temperature Rating):  
-40° ~ +105°
- 8.接触电阻(Contact Resistance):  
<10mΩ



Name: NS-M22 Nylon Screw-05



- 1.料号(Part No.):  
KLS15-NS05-M22-S-P-03
- 2.注塑材质(Material):  
尼龙(Nylon)
- 3.最大线径(Max Cable OD):  
10.0mm
- 4.可选芯数(Pin):  
2(螺丝式)、3(螺丝式)、4(焊锡式)
- 5.防水等级(Waterproof Level):  
IP68
- 6.线材可选(Cable):  
PVC、橡胶(Rubber)、硅胶(Silicon)
- 7.工作温度(Temperature Rating):  
-40° ~ +105°
- 8.接触电阻(Contact Resistance):  
<10mΩ



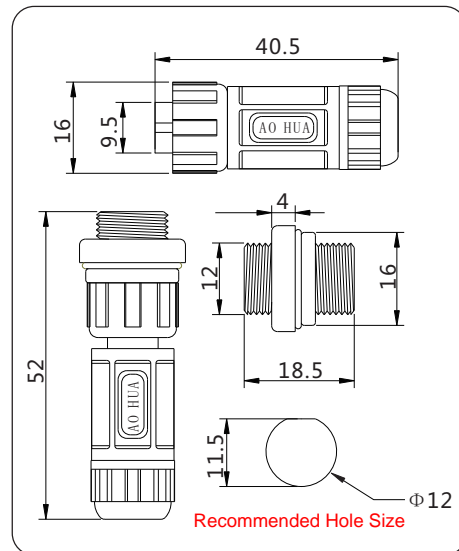
# WATERPROOF CONNECTOR

## Nylon Panel Series

### Name: NP-M12 Nylon Panel-01 (Rear Male Panel)



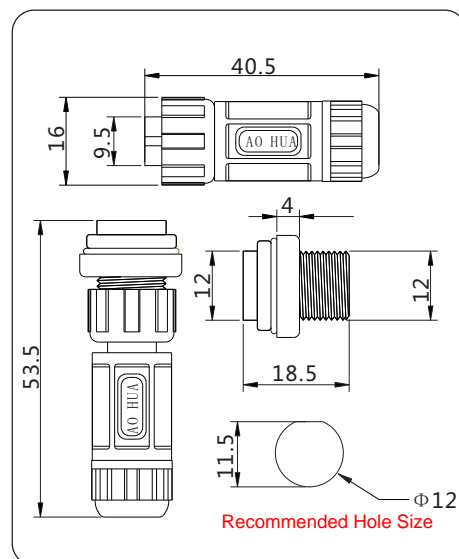
- 1.料号(Part No.): KLS15-NP01-M12-S-P-04
- 2.注塑材质(Material): 尼龙(Nylon)
- 3.最大线径(Max Cable OD): 7.2mm
- 4.可选芯数(Pin): 2、3、4
- 5.防水等级(Waterproof Level): IP68
- 6.线材可选(Cable): PVC、橡胶(Rubber)、硅胶(Silicon)
- 7.工作温度(Temperature Rating): -40° ~ +105°
- 8.接触电阻(Contact Resistance): <10mΩ



### Name: NP-M12 Nylon Panel-02 (Front Male Panel)



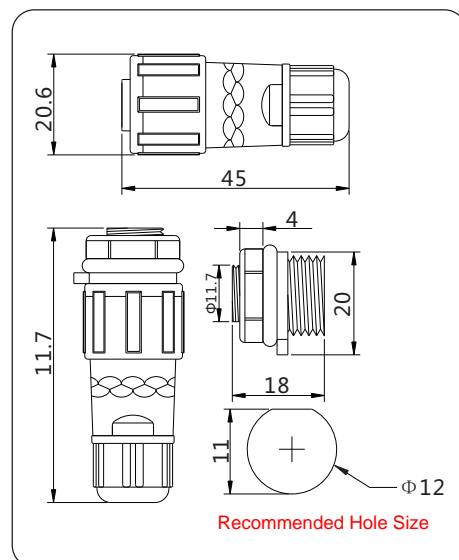
- 1.料号(Part No.): KLS15-NP02-M12-S-P-04
- 2.注塑材质(Material): 尼龙(Nylon)
- 3.最大线径(Max Cable OD): 7.2mm
- 4.可选芯数(Pin): 2、3、4
- 5.防水等级(Waterproof Level): IP68
- 6.线材可选(Cable): PVC、橡胶(Rubber)、硅胶(Silicon)
- 7.工作温度(Temperature Rating): -40° ~ +105°
- 8.接触电阻(Contact Resistance): <10mΩ



### Name: NP-M15 Nylon Panel-03 (Rear Male Panel)



- 1.料号(Part No.): KLS15-NP03-M15-S-P-02
- 2.注塑材质(Material): 尼龙(Nylon)
- 3.最大线径(Max Cable OD): 7.2mm
- 4.可选芯数(Pin): 2、3、4、5
- 5.防水等级(Waterproof Level): IP68
- 6.线材可选(Cable): PVC、橡胶(Rubber)、硅胶(Silicon)
- 7.工作温度(Temperature Rating): -40° ~ +105°
- 8.接触电阻(Contact Resistance): <10mΩ



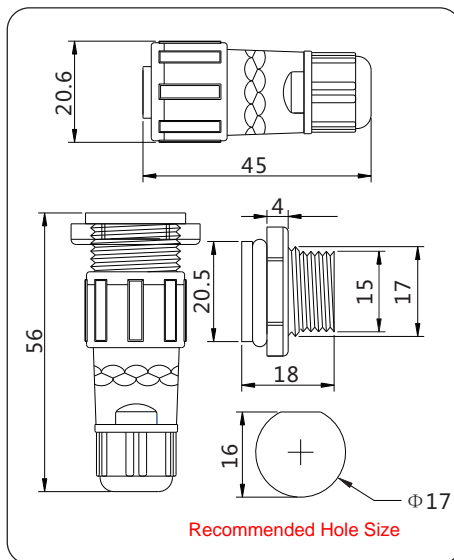
# WATERPROOF CONNECTOR

## Nylon Panel Series

### Name: NP-M15 Nylon Panel-04 (Front Male Panel)



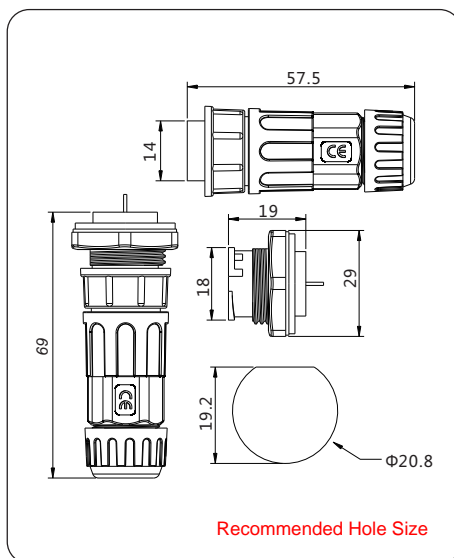
- 1.料号(Part No.): KLS15-NP04-M15-S-P-02
- 2.注塑材质(Material): 尼龙(Nylon)
- 3.最大线径(Max Cable OD): 7.2mm
- 4.可选芯数(Pin): 2、3、4、5
- 5.防水等级(Waterproof Level): IP68
- 6.线材可选(Cable): PVC、橡胶(Rubber)、硅胶(Silicon)
- 7.工作温度(Temperature Rating): -40° ~ +105°
- 8.接触电阻(Contact Resistance): <10mΩ



### Name: NP-M18 Nylon Panel-05 (Front Male Panel)



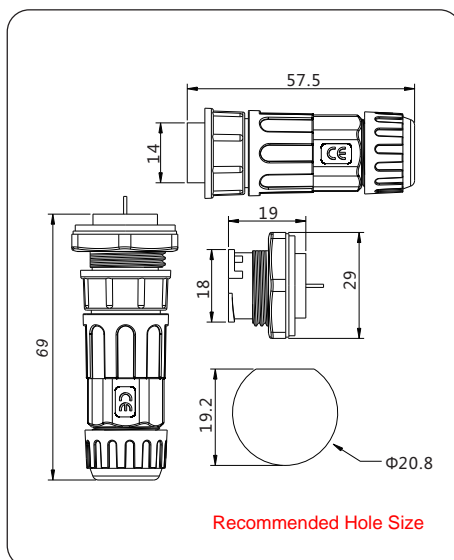
- 1.料号(Part No.): KLS15-NP05-M18-Q-P-03
- 2.注塑材质(Material): 尼龙(Nylon)
- 3.最大线径(Max Cable OD): 8.5mm
- 4.可选芯数(Pin): 2、3
- 5.防水等级(Waterproof Level): IP67
- 6.线材可选(Cable): PVC、橡胶(Rubber)、硅胶(Silicon)
- 7.工作温度(Temperature Rating): -40° ~ +105°
- 8.接触电阻(Contact Resistance): <10mΩ



### Name: NP-M18 Nylon Panel-06 (Front Female Panel)



- 1.料号(Part No.): KLS15-NP06-M18-Q-P-03
- 2.注塑材质(Material): 尼龙(Nylon)
- 3.最大线径(Max Cable OD): 8.5mm
- 4.可选芯数(Pin): 2、3
- 5.防水等级(Waterproof Level): IP67
- 6.线材可选(Cable): PVC、橡胶(Rubber)、硅胶(Silicon)
- 7.工作温度(Temperature Rating): -40° ~ +105°
- 8.接触电阻(Contact Resistance): <10mΩ



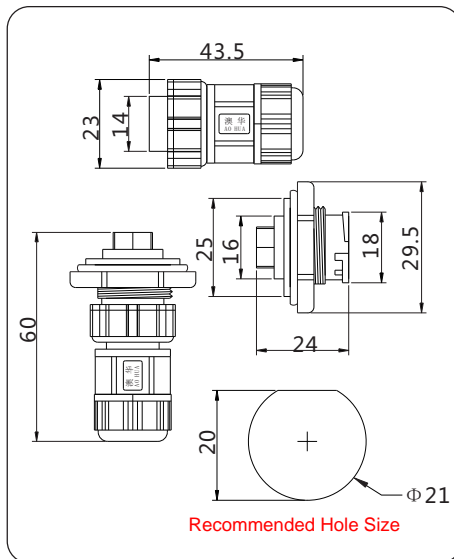
## WATERPROOF CONNECTOR

### Nylon Panel Series

#### Name: NP-M18 Nylon Panel-07 (Front Male Panel)



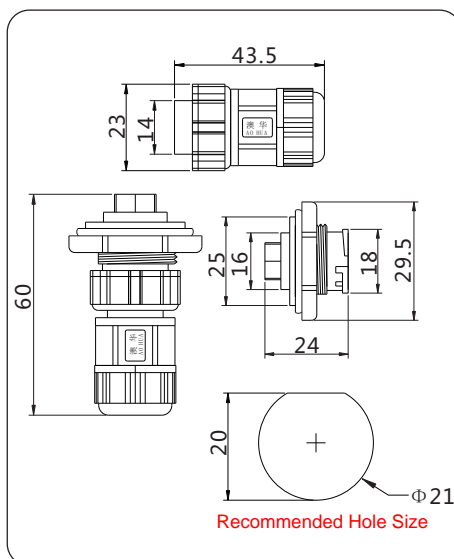
- 1.料号(Part No.):  
KLS15-NP07-M18-Q-P-02
- 2.注塑材质(Material):  
尼龙(Nylon)
- 3.最大线径(Max Cable OD):  
10.0mm
- 4.可选芯数(Pin):  
2、3
- 5.防水等级(Waterproof Level):  
IP67
- 6.线材可选(Cable):  
PVC、橡胶(Rubber)、硅胶(Silicon)
- 7.工作温度(Temperature Rating):  
-40° ~ +105°
- 8.接触电阻(Contact Resistance):  
<10mΩ



#### Name: NP-M18 Nylon Panel-08 (Front Female Panel)



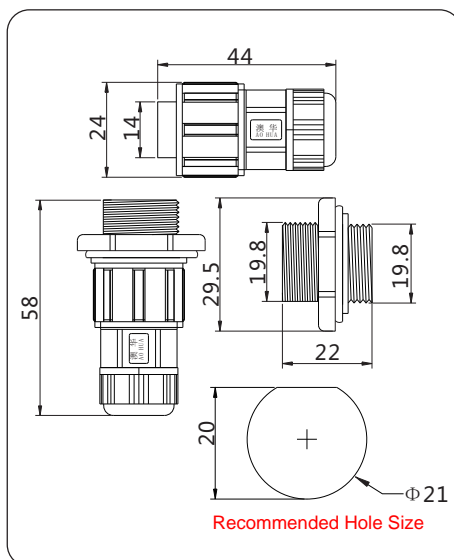
- 1.料号(Part No.):  
KLS15-NP08-M18-Q-P-03
- 2.注塑材质(Material):  
尼龙(Nylon)
- 3.最大线径(Max Cable OD):  
10.0mm
- 4.可选芯数(Pin):  
2、3
- 5.防水等级(Waterproof Level):  
IP67
- 6.线材可选(Cable):  
PVC、橡胶(Rubber)、硅胶(Silicon)
- 7.工作温度(Temperature Rating):  
-40° ~ +105°
- 8.接触电阻(Contact Resistance):  
<10mΩ



#### Name: NP-M19 Nylon Panel-09 (Rear Female Panel)



- 1.料号(Part No.):  
KLS15-NP09-M19-S-P-02
- 2.注塑材质(Material):  
尼龙(Nylon)
- 3.最大线径(Max Cable OD):  
10.0mm
- 4.可选芯数(Pin):  
2、3、4、5、6、7、8
- 5.防水等级(Waterproof Level):  
IP68
- 6.线材可选(Cable):  
PVC、橡胶(Rubber)、硅胶(Silicon)
- 7.工作温度(Temperature Rating):  
-40° ~ +105°
- 8.接触电阻(Contact Resistance):  
<10mΩ



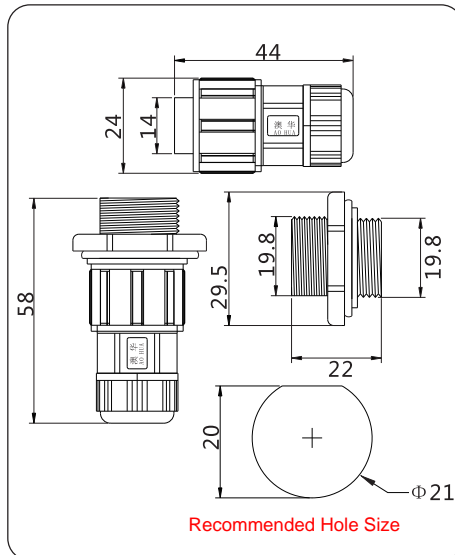
# WATERPROOF CONNECTOR

## Nylon Panel Series

### Name: NP-M19 Nylon Panel-10 (Rear Male Panel)



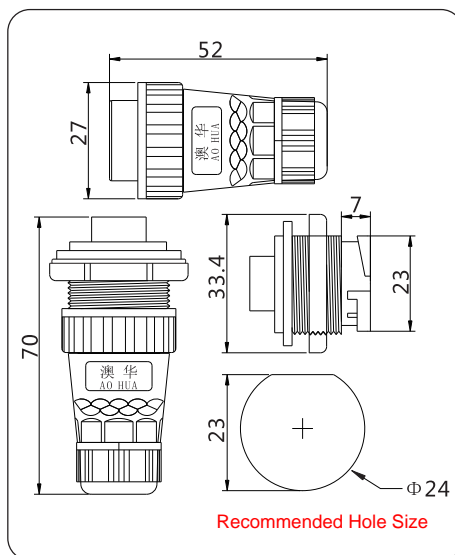
- 1.料号(Part No.):  
KLS15-NP10-M19-S-P-02
- 2.注塑材质(Material):  
尼龙(Nylon)
- 3.最大线径(Max Cable OD):  
10.0mm
- 4.可选芯数(Pin):  
2、3、4、5、6、7、8
- 5.防水等级(Waterproof Level):  
IP68
- 6.线材可选(Cable):  
PVC、橡胶(Rubber)、硅胶(Silicon)
- 7.工作温度(Temperature Rating):  
-40° ~ +105°
- 8.接触电阻(Contact Resistance):  
<10mΩ



### Name: NP-M23 Nylon Panel-11 (Front Male Panel)



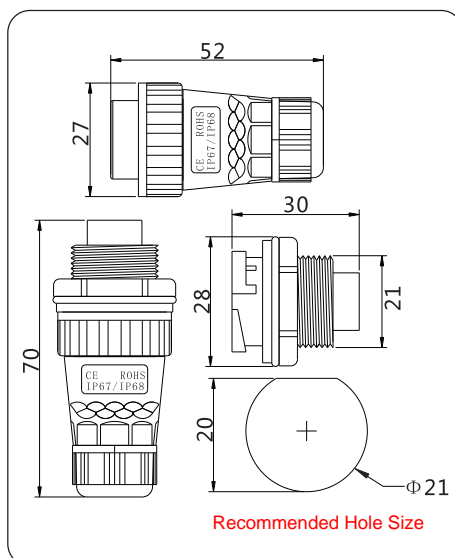
- 1.料号(Part No.):  
KLS15-NP11-M23-Q-P-03
- 2.注塑材质(Material):  
尼龙(Nylon)
- 3.最大线径(Max Cable OD):  
10.0mm
- 4.可选芯数(Pin):  
2(螺丝式)、3(螺丝式)、4(焊锡式)
- 5.防水等级(Waterproof Level):  
IP67
- 6.线材可选(Cable):  
PVC、橡胶(Rubber)、硅胶(Silicon)
- 7.工作温度(Temperature Rating):  
-40° ~ +105°
- 8.接触电阻(Contact Resistance):  
<10mΩ



### Name: NP-M23 Nylon Panel-12 (Rear Male Panel)



- 1.料号(Part No.):  
KLS15-NP12-M23-Q-P-04
- 2.注塑材质(Material):  
尼龙(Nylon)
- 3.最大线径(Max Cable OD):  
10.0mm
- 4.可选芯数(Pin):  
2(螺丝式)、3(螺丝式)、4(焊锡式)
- 5.防水等级(Waterproof Level):  
IP67
- 6.线材可选(Cable):  
PVC、橡胶(Rubber)、硅胶(Silicon)
- 7.工作温度(Temperature Rating):  
-40° ~ +105°
- 8.接触电阻(Contact Resistance):  
<10mΩ



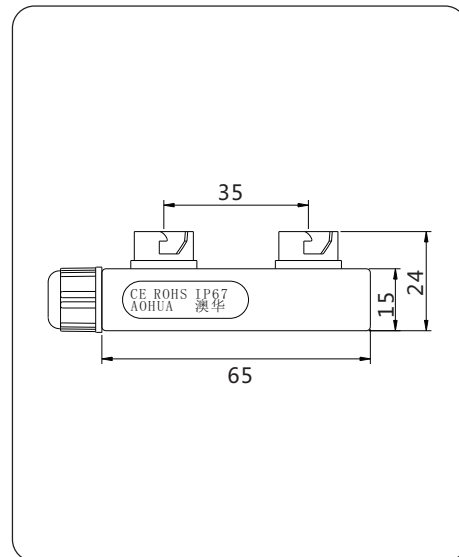
## WATERPROOF CONNECTOR

### Push Lock Type

Name:T-M15 Nylon Push Lock Type Distribution-01



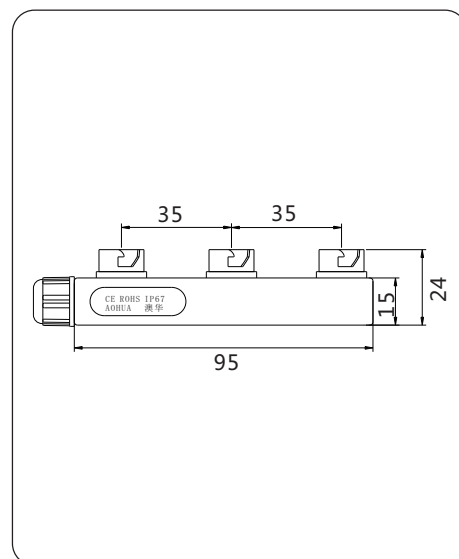
- 1.料号(Part No.):  
KLS15-NF01-M15-Q-F-02
- 2.注塑材质(Material):  
尼龙(Nylon)
- 3.最大线径(Max Cable OD):  
8.3mm
- 4.可选芯数(Pin):  
2
- 5.防水等级(Waterproof Level):  
IP67
- 6.线材可选(Cable):  
橡胶(Rubber)、硅胶(Silicon)
- 7.工作温度(Temperature Rating):  
-40° ~ +105°
- 8.电路结构( Circuit Structure):  
并联(Parallel)



Name:T-M15 Nylon Push Lock Type Distribution-02



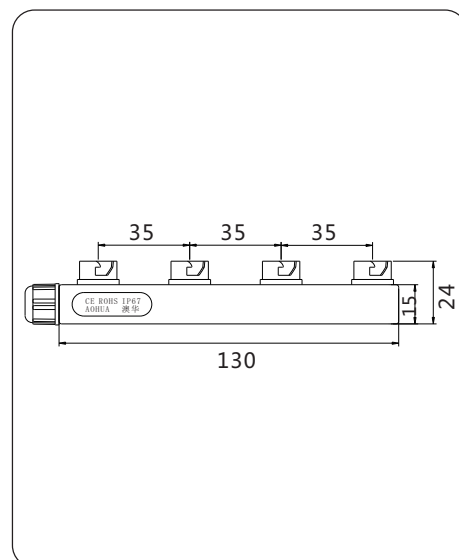
- 1.料号(Part No.):  
KLS15-NF02-M15-Q-F-02
- 2.注塑材质(Material):  
尼龙(Nylon)
- 3.最大线径(Max Cable OD):  
8.3mm
- 4.可选芯数(Pin):  
2
- 5.防水等级(Waterproof Level):  
IP67
- 6.线材可选(Cable):  
橡胶(Rubber)、硅胶(Silicon)
- 7.工作温度(Temperature Rating):  
-40° ~ +105°
- 8.电路结构( Circuit Structure):  
并联(Parallel)



Name:T-M15 Nylon Push Lock Type Distribution-03



- 1.料号(Part No.):  
KLS15-NF03-M15-Q-F-02
- 2.注塑材质(Material):  
尼龙(Nylon)
- 3.最大线径(Max Cable OD):  
8.3mm
- 4.可选芯数(Pin):  
2
- 5.防水等级(Waterproof Level):  
IP67
- 6.线材可选(Cable):  
橡胶(Rubber)、硅胶(Silicon)
- 7.工作温度(Temperature Rating):  
-40° ~ +105°
- 8.电路结构( Circuit Structure):  
并联(Parallel)



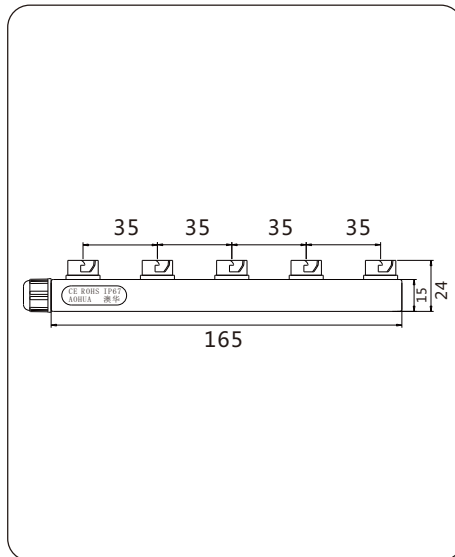
# WATERPROOF CONNECTOR

## Push Lock Type

Name:T-M15 Nylon Push Lock Type Distribution-04



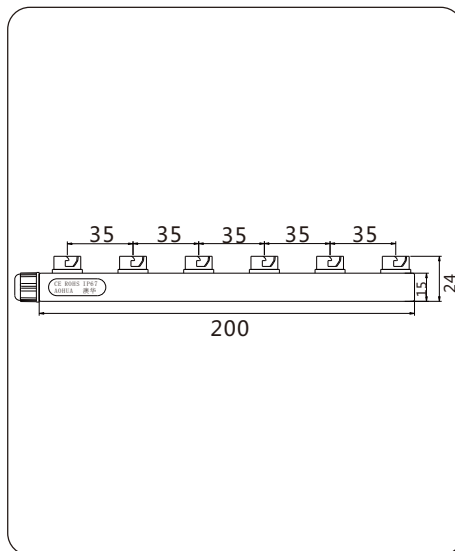
- 1.料号(Part No.):  
KLS15-NF04-M15-Q-F-02
- 2.注塑材质(Material):  
尼龙(Nylon)
- 3.最大线径(Max Cable OD):  
8.3mm
- 4.可选芯数(Pin):  
2
- 5.防水等级(Waterproof Level):  
IP67
- 6.线材可选(Cable):  
橡胶(Rubber)、硅胶(Silicon)
- 7.工作温度(Temperature Rating):  
-40° ~ +105°
- 8.电路结构( Circuit Structure):  
并联(Parallel)



Name:T-M15 Nylon Push Lock Type Distribution-05



- 1.料号(Part No.):  
KLS15-NF05-M15-Q-F-02
- 2.注塑材质(Material):  
尼龙(Nylon)
- 3.最大线径(Max Cable OD):  
8.3mm
- 4.可选芯数(Pin):  
2
- 5.防水等级(Waterproof Level):  
IP67
- 6.线材可选(Cable):  
橡胶(Rubber)、硅胶(Silicon)
- 7.工作温度(Temperature Rating):  
-40° ~ +105°
- 8.电路结构( Circuit Structure):  
并联(Parallel)



## Electrical Parameter

类别 (Type)	自卡、螺纹分线系统 (Push Lock Type, Screw Type Distribution System)
芯数 (Pin Numbers)	2 (parallel)
额定电流 ( Current Rating)(A )	10A
额定电压 ( Voltage Rating)(V)	300V
配对接头 (Match Connector)	Nylon Welding-04(Push Lock) Nylon Connector-02(Screw)

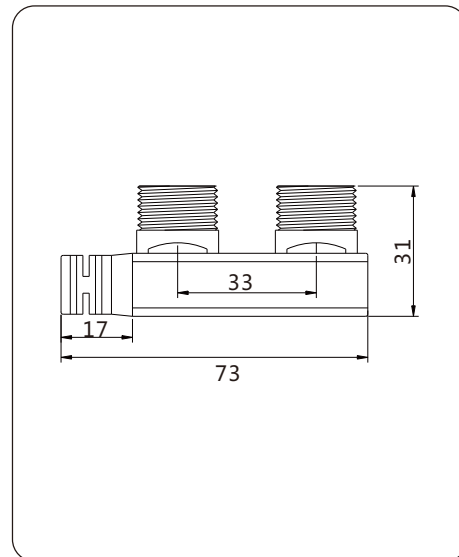
## WATERPROOF CONNECTOR

### Nylon F Type Screw Distribution Series

Name:NF-M19 Nylon F Type Screw Distribution-01



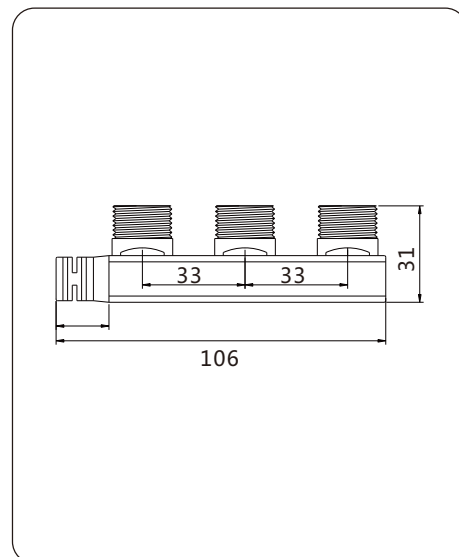
- 1.料号(Part No.):  
KLS15-NF06-M19-S-F-02
- 2.注塑材质(Material):  
尼龙(Nylon)
- 3.最大线径(Max Cable OD):  
11.6mm
- 4.可选芯数(Pin):  
2
- 5.防水等级(Waterproof Level):  
IP67
- 6.线材可选(Cable):  
橡胶(Rubber)、硅胶(Silicon)
- 7.工作温度(Temperature Rating):  
-40° ~ +105°
- 8.电路结构( Circuit Structure):  
并联(Parallel)



Name:NF-M19 Nylon F Type Screw Distribution-02



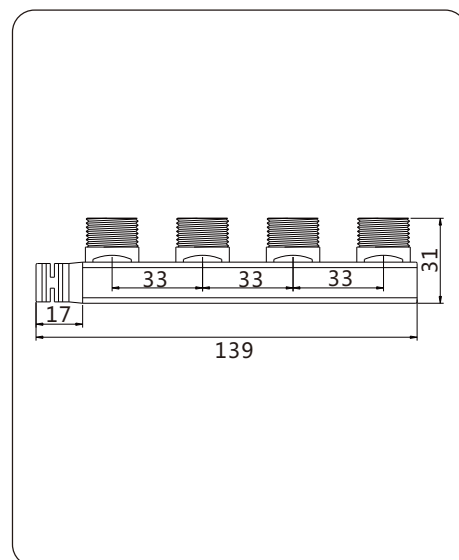
- 1.料号(Part No.):  
KLS15-NF07-M19-S-F-02
- 2.注塑材质(Material):  
尼龙(Nylon)
- 3.最大线径(Max Cable OD):  
11.6mm
- 4.可选芯数(Pin):  
2
- 5.防水等级(Waterproof Level):  
IP67
- 6.线材可选(Cable):  
橡胶(Rubber)、硅胶(Silicon)
- 7.工作温度(Temperature Rating):  
-40° ~ +105°
- 8.电路结构( Circuit Structure):  
并联(Parallel)



Name:NF-M19 Nylon F Type Screw Distribution-03



- 1.料号(Part No.):  
KLS15-NF08-M19-S-F-02
- 2.注塑材质(Material):  
尼龙(Nylon)
- 3.最大线径(Max Cable OD):  
11.6mm
- 4.可选芯数(Pin):  
2
- 5.防水等级(Waterproof Level):  
IP67
- 6.线材可选(Cable):  
橡胶(Rubber)、硅胶(Silicon)
- 7.工作温度(Temperature Rating):  
-40° ~ +105°
- 8.电路结构( Circuit Structure):  
并联(Parallel)





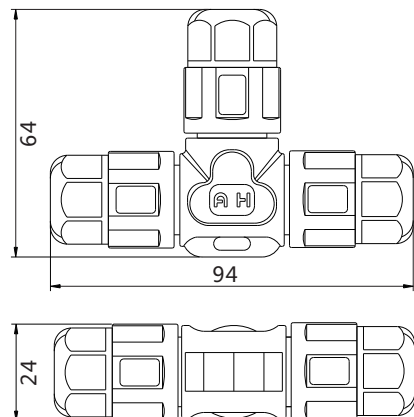
# WATERPROOF CONNECTOR

## Nylon T Series

Name: NT-M20 Nylon T-01 (Screw)



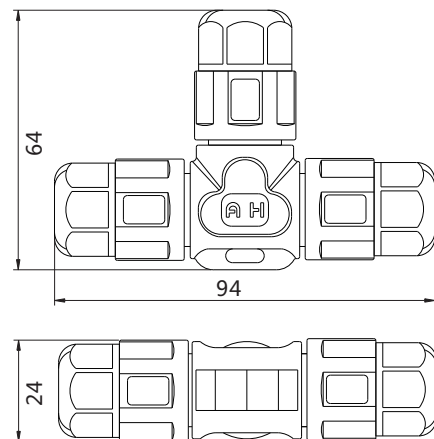
- 1.料号(Part No.): KLS15-NT01-M20-S-P-03
- 2.注塑材质(Material): 尼龙(Nylon)
- 3.最大线径(Main Max Cable OD): 10.0mm
- 4.可选芯数(Pin): 2, 3
- 5.防水等级(Waterproof Level): IP67
- 6.线材可选(Cable): PVC、橡胶(Rubber)、硅胶(Silicon)
- 7.工作温度(Temperature Rating): -20° ~ +105°
- 8.接触电阻(Contact Resistance): <10mΩ



Name: NT-M20 Nylon T-02 (Solder)



- 1.料号(Part No.): KLS15-NT02-M20-S-P-02
- 2.注塑材质(Material): 尼龙(Nylon)
- 3.最大线径(Main Max Cable OD): 10.0mm
- 4.可选芯数(Pin): 2, 3, 4
- 5.防水等级(Waterproof Level): IP67
- 6.线材可选(Cable): PVC、橡胶(Rubber)、硅胶(Silicon)
- 7.工作温度(Temperature Rating): -20° ~ +105°
- 8.接触电阻(Contact Resistance): <10mΩ



## Electrical Parameter

类别 (Type)	螺纹式(Screw)		焊锡式(Solder)		
	2	3	2	3	4
芯数 (Pin Numbers)	2	3	2	3	4
额定电流 (Current Rating)(A)	15A	15A	15A	15A	10A
额定电压 (Voltage Rating)(V)	500V	500V	500V	500V	300V
耐压 (Withstang Voltage)	1500V	1500V	1500V	1500V	800V

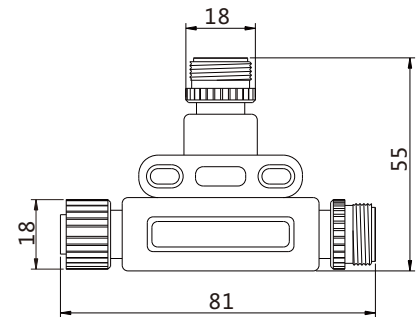
# WATERPROOF CONNECTOR

## Nylon T Series

Name: NT-M18 Nylon T-03



- 1.料号(Part No.): KLS15-NT03-M18-S-P-02
- 2.注塑材质(Material): 尼龙(Nylon)
- 3.最大线径(Main Max Cable OD): 7.2mm
- 4.可选芯数(Pin): 2、3、4、5
- 5.防水等级(Waterproof Level): IP67
- 6.线材可选(Cable): PVC、橡胶(Rubber)、硅胶(Silicon)
- 7.工作温度(Temperature Rating): -20° ~ +105°
- 8.接触电阻(Contact Resistance): <10mΩ

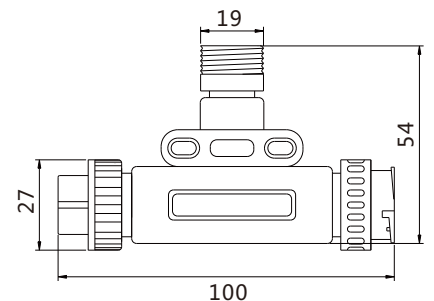


Middle Clip: L=81 W=55 T=20

Name: NT-M22 Nylon T-04



- 1.料号(Part No.): KLS15-NT04-M22-S-P-02
- 2.注塑材质(Material): 尼龙(Nylon)
- 3.最大线径(Main Max Cable OD): 12.5mm
- 4.可选芯数(Pin): 2
- 5.防水等级(Waterproof Level): IP67
- 6.线材可选(Cable): PVC、橡胶(Rubber)、硅胶(Silicon)
- 7.工作温度(Temperature Rating): -20° ~ +105°
- 8.接触电阻(Contact Resistance): <10mΩ



Middle Clip: L=100 W=54 T=22

## Electrical Parameter

类别 ( Type )	Nylon T-03				Nylon T-04
配对接头 (Match Connector)	Metal-03				Large Power-03 Nylon Connector-02
芯数 (Pin Number)	2	3	4	5	2
额定电流 (Current Rating)(A)	13A	13A	8A	8A	15A
额定电压 (Voltage Rating)(V)	500V	500V	300V	300V	500V

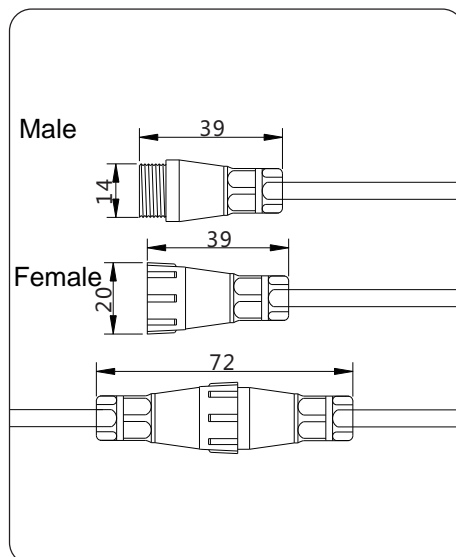
## WATERPROOF CONNECTOR

### Nylon Connector Series

Name: NC-M18 Nylon Connector-01



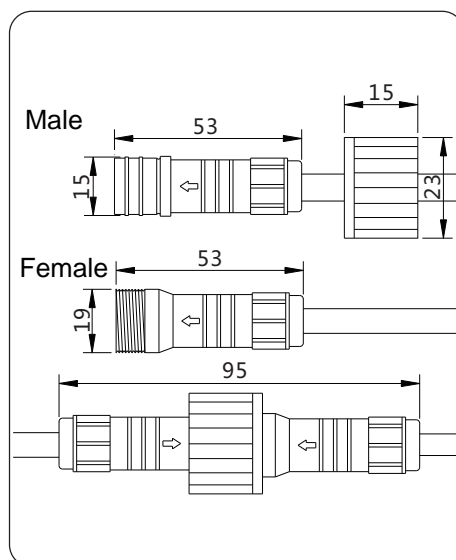
- 1.料号(Part No.): KLS15-NC01-M14-S-P-03
- 2.注塑材质(Material): 尼龙(Nylon)
- 3.最大线径(Max Cable OD): 7.2mm
- 4.可选芯数(Pin): 2、3
- 5.防水等级(Waterproof Level): IP68
- 6.线材可选(Cable): 橡胶(Rubber)、硅胶(Silicon)
- 7.工作温度(Temperature Rating): -40° ~ +105°
- 8.接触电阻(Contact Resistance): <10mΩ



Name: NC-M18 Nylon Connector-02



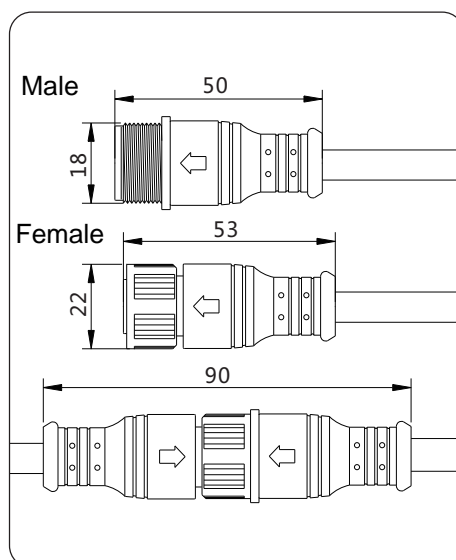
- 1.料号(Part No.): KLS15-NC02-M18-S-P-04
- 2.注塑材质(Material): 尼龙(Nylon)
- 3.最大线径(Max Cable OD): 8.3mm
- 4.可选芯数(Pin): 2、3、4
- 5.防水等级(Waterproof Level): IP68
- 6.线材可选(Cable): 橡胶(Rubber)、硅胶(Silicon)
- 7.工作温度(Temperature Rating): -40° ~ +105°
- 8.接触电阻(Contact Resistance): <10mΩ



Name: NC-M18 Nylon Connector-03



- 1.料号(Part No.): KLS15-NC03-M18-S-P-05
- 2.注塑材质(Material): PVC
- 3.最大线径(Max Cable OD): 10.0mm
- 4.可选芯数(Pin): 2、3、4、5
- 5.防水等级(Waterproof Level): IP67
- 6.线材可选(Cable): PVC、橡胶(Rubber)、硅胶(Silicon)
- 7.工作温度(Temperature Rating): -40° ~ +105°
- 8.接触电阻(Contact Resistance): <10mΩ



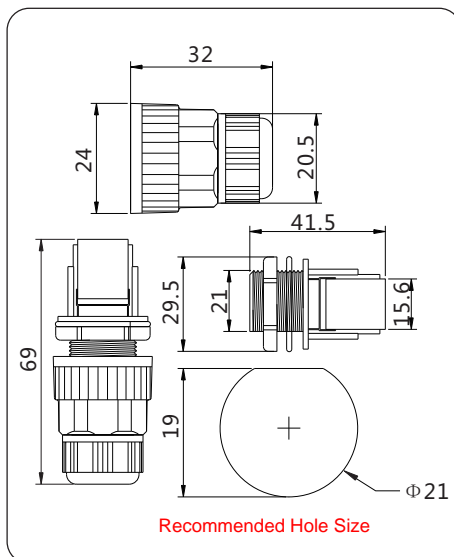
# WATERPROOF CONNECTOR

## Rj45 Connector Series

Name:RJ-M21 RJ45-01



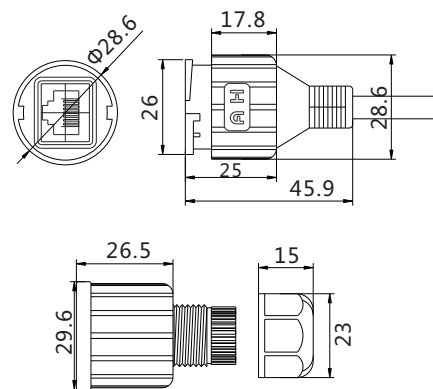
- 1.料号(Part No.):  
KLS15-RJ01-M21-S-P-08
- 2.注塑材质(Material):  
尼龙(Nylon)
- 3.最大线径(Max Cable OD):  
7.2mm
- 4.可选芯数(Pin):  
RJ45
- 5.防水等级(Waterproof Level):  
IP67
- 6.线材可选(Cable):  
PVC、橡胶(Rubber)、硅胶(Silicon)
- 7.工作温度(Temperature Rating):  
-40° ~ +85°
- 8.接触电阻(Contact Resistance):  
<10mΩ



Name:RJ-M26 RJ45-02



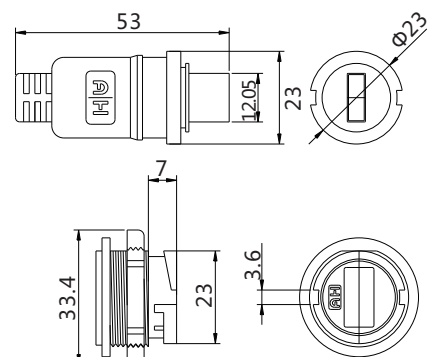
- 1.料号(Part No.):  
KLS15-RJ02-M26-Q-P-08
- 2.注塑材质(Material):  
尼龙(Nylon)
- 3.最大线径(Max Cable OD):  
7.2mm
- 4.可选芯数(Pin):  
RJ45
- 5.防水等级(Waterproof Level):  
IP65
- 6.线材可选(Cable):  
PVC、橡胶(Rubber)、硅胶(Silicon)
- 7.工作温度(Temperature Rating):  
-40° ~ +85°
- 8.接触电阻(Contact Resistance):  
<10mΩ



Name:RJ-M25 RJ45-03



- 1.料号(Part No.):  
KLS15-RJ03-M25-Q-P-04
- 2.注塑材质(Material):  
尼龙(Nylon)
- 3.最大线径(Max Cable OD):  
7.2mm
- 4.可选芯数(Pin):  
USB
- 5.防水等级(Waterproof Level):  
IP65
- 6.线材可选(Cable):  
PVC、橡胶(Rubber)、硅胶(Silicon)
- 7.工作温度(Temperature Rating):  
-40° ~ +85°
- 8.接触电阻(Contact Resistance):  
<10mΩ



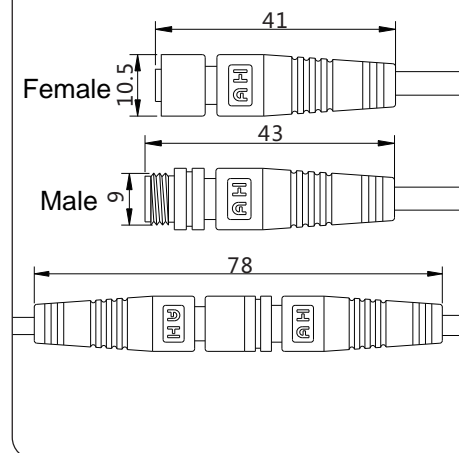
## WATERPROOF CONNECTOR

### Metal Series

Name: MT-M08 Metal-01



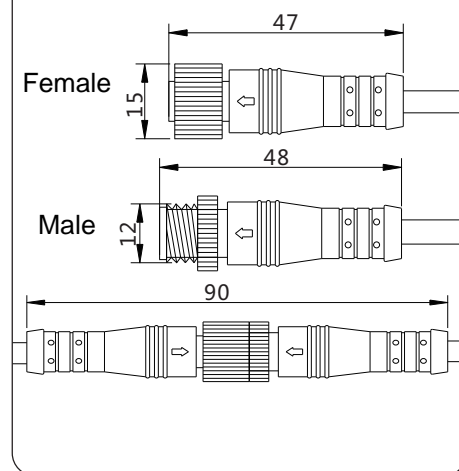
- 1.料号(Part No.):  
KLS15-MT01-M08-S-P-03
- 2.注塑材质(Material):  
PVC
- 3.最大线径(Max Cable OD):  
5.0mm
- 4.可选芯数(Pin):  
2、3、4
- 5.防水等级(Waterproof Level):  
IP67
- 6.线材可选(Cable):  
PVC、橡胶(Rubber)、硅胶(Silicon)
- 7.工作温度(Temperature Rating):  
-20° ~ +85°
- 8.接触电阻(Contact Resistance):  
<10mΩ



Name: MT-M12 Metal-02



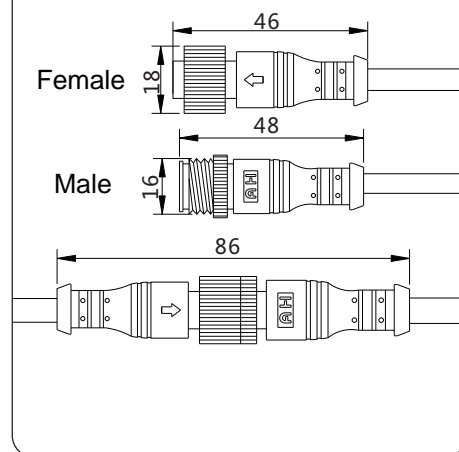
- 1.料号(Part No.):  
KLS15-MT02-M12-S-P-02
- 2.注塑材质(Material):  
PVC
- 3.最大线径(Max Cable OD):  
7.2mm
- 4.可选芯数(Pin):  
2、3、6、8
- 5.防水等级(Waterproof Level):  
IP67
- 6.线材可选(Cable):  
PVC、橡胶(Rubber)、硅胶(Silicon)
- 7.工作温度(Temperature Rating):  
-20° ~ +85°
- 8.接触电阻(Contact Resistance):  
<10mΩ



Name: MT-M16 Metal-03



- 1.料号(Part No.):  
KLS15-MT03-M16-S-P-02
- 2.注塑材质(Material):  
PVC
- 3.最大线径(Max Cable OD):  
7.2mm
- 4.可选芯数(Pin):  
2、3、4、5
- 5.防水等级(Waterproof Level):  
IP67
- 6.线材可选(Cable):  
PVC、橡胶(Rubber)、硅胶(Silicon)
- 7.工作温度(Temperature Rating):  
-20° ~ +85°
- 8.接触电阻(Contact Resistance):  
<10mΩ



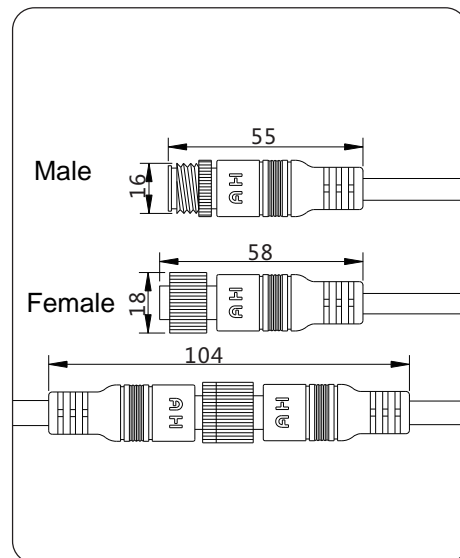
## WATERPROOF CONNECTOR

### Metal Series

Name: MT-M16 Metal-04



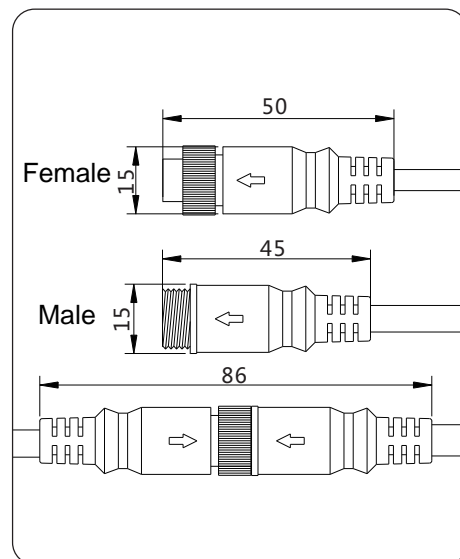
- 1.料号(Part No.):  
KLS15-MT04-M16-S-P-02
- 2.注塑材质(Material):  
PVC
- 3.最大线径(Max Cable OD):  
10.0mm
- 4.可选芯数(Pin):  
2、3、4、5
- 5.防水等级(Waterproof Level):  
IP67
- 6.线材可选(Cable):  
PVC、橡胶(Rubber)、硅胶(Silicon)
- 7.工作温度(Temperature Rating):  
-20° ~ +85°
- 8.接触电阻(Contact Resistance):  
<10mΩ



Name: MT-M16 Metal-05 (Air head)



- 1.料号(Part No.):  
KLS15-MT05-M16-S-P-02
- 2.注塑材质(Material):  
PVC
- 3.最大线径(Max Cable OD):  
6.0mm
- 4.可选芯数(Pin):  
2、3、4、5
- 5.防水等级(Waterproof Level):  
IP65
- 6.线材可选(Cable):  
PVC、橡胶(Rubber)、硅胶(Silicon)
- 7.工作温度(Temperature Rating):  
-20° ~ +85°
- 8.接触电阻(Contact Resistance):  
<10mΩ



### How to order KLS Waterproof Plug with Cable?

- ①、 Cable material (PVC, Rubber, Silicon or others).
- ②、 Pin no. and wire diameter(2x0.5mm<sup>2</sup>, 3x0.75mm<sup>2</sup> or others).
- ③、 Chose suitable waterproof plug according to wire diameter (Standard-01, Middle-standard-01 or others).
- ④、 Wire length (Male including plug 20cm, Female including plug 20cm).
- ⑤、 Terminal handle (Stripping 20cm, tinned 3mm).
- ⑥、 Other special order (End with SR trailer card, Long wire bundle and others).

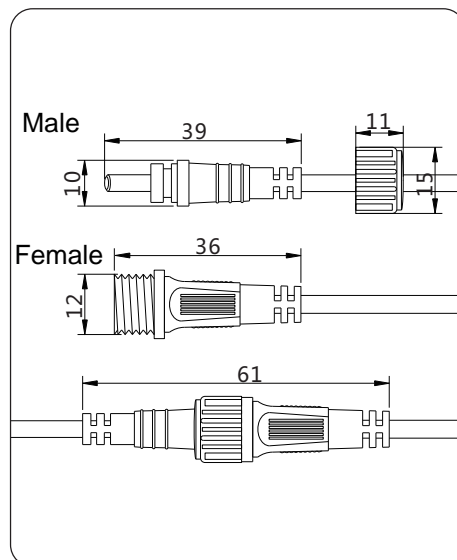
# WATERPROOF CONNECTOR

## DC Series

Name:DC-M12 DC-01



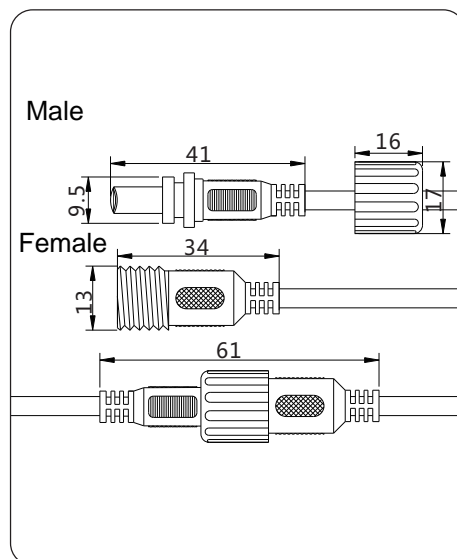
- 1.料号(Part No.):  
KLS15-DC01-M12-S-P-02
- 2.注塑材质(Material):  
PVC
- 3.最大线径(Max Cable OD):  
4.0mm
- 4.可选DC五金件(DC):  
3.5\*1.1/3.5\*1.35
- 5.防水等级(Waterproof Level):  
IP67
- 6.线材可选(Cable):  
PVC、橡胶(Rubber)、硅胶(Silicon)
- 7.工作温度(Temperature Rating):  
-20° ~ +85°
- 8.接触电阻(Contact Resistance):  
<10mΩ



Name:DC-M13 DC-02



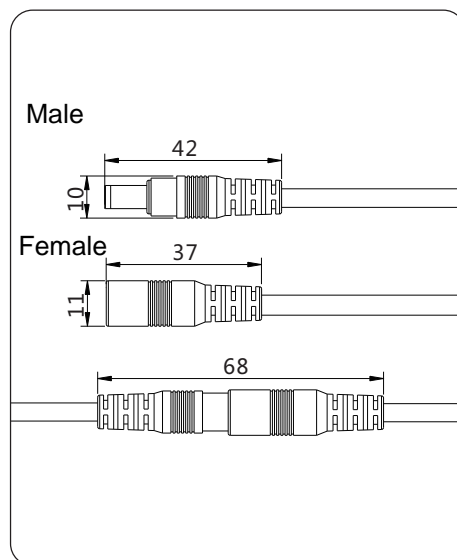
- 1.料号(Part No.):  
KLS15-DC02-M13-S-P-02
- 2.注塑材质(Material):  
PVC
- 3.最大线径(Max Cable OD):  
5.0mm
- 4.可选DC五金件(DC):  
5.5\*2.1/5.5\*2.5
- 5.防水等级(Waterproof Level):  
IP67
- 6.线材可选(Cable):  
PVC、橡胶(Rubber)、硅胶(Silicon)
- 7.工作温度(Temperature Rating):  
-20° ~ +85°
- 8.接触电阻(Contact Resistance):  
<10mΩ



Name:DC-M11 DC-03



- 1.料号(Part No.):  
KLS15-DC03-M11-Q-P-02
- 2.注塑材质(Material):  
PVC
- 3.最大线径(Max Cable OD):  
5.5mm
- 4.可选DC五金件(DC):  
3.5\*1.1/3.5\*1.35/5.5\*2.1/5.5\*2.5
- 5.防水等级(Waterproof Level):  
IP60
- 6.线材可选(Cable):  
PVC、橡胶(Rubber)、硅胶(Silicon)
- 7.工作温度(Temperature Rating):  
-20° ~ +85°
- 8.接触电阻(Contact Resistance):  
<10mΩ



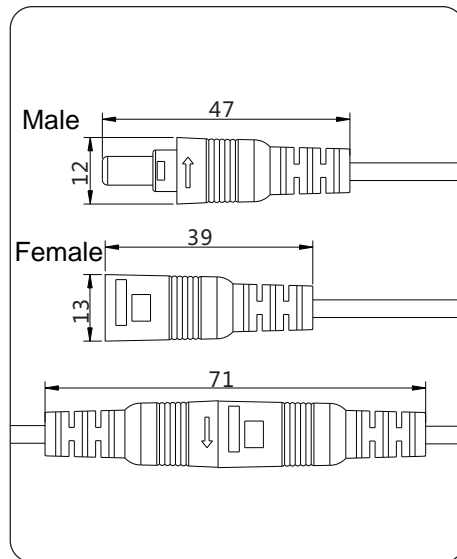
# WATERPROOF CONNECTOR

## DC Series

Name:DC-M13 DC-04



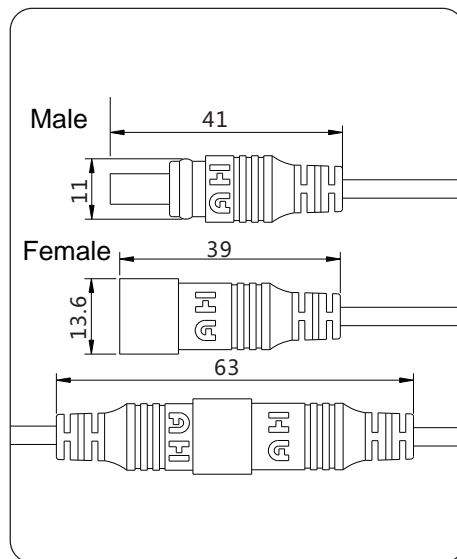
- 1.料号(Part No.):  
KLS15-DC04-M13-Q-P-02
- 2.注塑材质(Material):  
PVC
- 3.最大线径(Max Cable OD):  
5.0mm
- 4.可选DC五金件(DC):  
5.5\*2.1
- 5.防水等级(Waterproof Level):  
IP60
- 6.线材可选(Cable):  
PVC、橡胶(Rubber)、硅胶(Silicon)
- 7.工作温度(Temperature Rating):  
-20° ~ +85°
- 8.接触电阻(Contact Resistance):  
<10mΩ



Name:DC-M14 DC-05



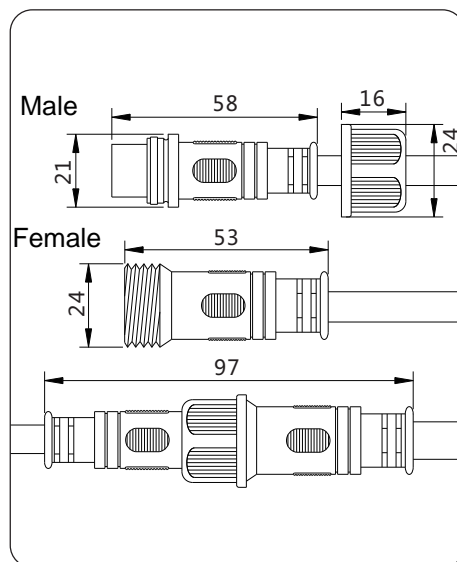
- 1.料号(Part No.):  
KLS15-DC05-M14-Q-P-02
- 2.注塑材质(Material):  
PVC
- 3.最大线径(Max Cable OD):  
5.5mm
- 4.可选DC五金件(DC):  
5.5\*2.1
- 5.防水等级(Waterproof Level):  
IP60
- 6.线材可选(Cable):  
PVC、橡胶(Rubber)、硅胶(Silicon)
- 7.工作温度(Temperature Rating):  
-20° ~ +85°
- 8.接触电阻(Contact Resistance):  
<10mΩ



Name:DC-M24 DC-06 (Large D head)



- 1.料号(Part No.):  
KLS15-DC06-M24-S-P-13
- 2.注塑材质(Material):  
PVC
- 3.最大线径(Max Cable OD):  
8.3mm
- 4.可选芯数(Pin):  
3-13
- 5.防水等级(Waterproof Level):  
IP67
- 6.线材可选(Cable):  
PVC、橡胶(Rubber)、硅胶(Silicon)
- 7.工作温度(Temperature Rating):  
-20° ~ +85°
- 8.接触电阻(Contact Resistance):  
<10mΩ





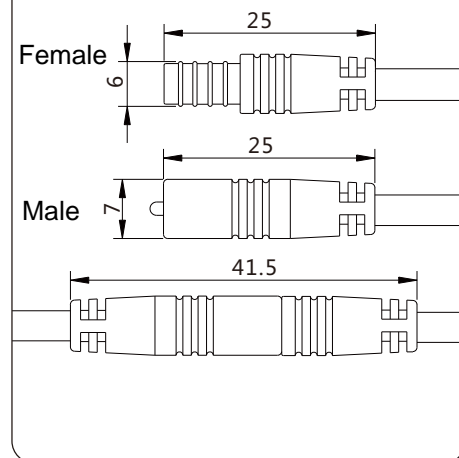
# WATERPROOF CONNECTOR

## MINI Series

Name: MN-M06 MINI-01



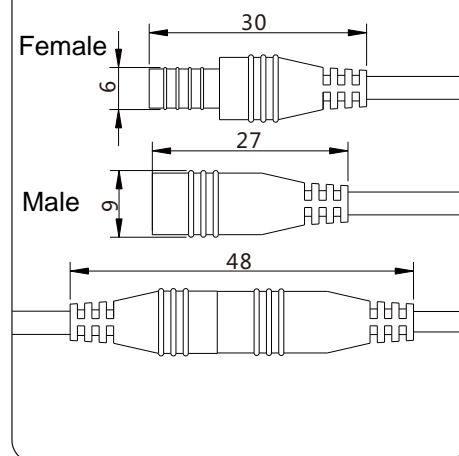
- 1.料号(Part No.):  
KLS15-MN01-M06-Q-P-01
- 2.注塑材质(Material):  
PVC
- 3.最大线径(Max Cable OD):  
3.8mm
- 4.可选芯数(Pin):  
1
- 5.防水等级(Waterproof Level):  
IP60
- 6.线材可选(Cable):  
PVC、橡胶(Rubber)、硅胶(Silicon)
- 7.工作温度(Temperature Rating):  
-20° ~ +85°
- 8.接触电阻(Contact Resistance):  
<10mΩ



Name: MN-M06 MINI-02



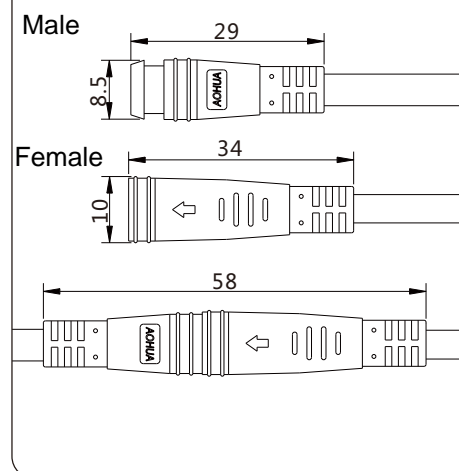
- 1.料号(Part No.):  
KLS15-MN02-M06-Q-P-02
- 2.注塑材质(Material):  
PVC
- 3.最大线径(Max Cable OD):  
3.0mm
- 4.可选芯数(Pin):  
2
- 5.防水等级(Waterproof Level):  
IP60
- 6.线材可选(Cable):  
PVC、橡胶(Rubber)、硅胶(Silicon)
- 7.工作温度(Temperature Rating):  
-20° ~ +85°
- 8.接触电阻(Contact Resistance):  
<10mΩ



Name: MN-M10 MINI-03



- 1.料号(Part No.):  
KLS15-MN03-M10-Q-P-02
- 2.注塑材质(Material):  
PVC
- 3.最大线径(Max Cable OD):  
5.8mm
- 4.可选芯数(Pin):  
2、6
- 5.防水等级(Waterproof Level):  
IP60
- 6.线材可选(Cable):  
PVC、橡胶(Rubber)、硅胶(Silicon)
- 7.工作温度(Temperature Rating):  
-20° ~ +85°
- 8.接触电阻(Contact Resistance):  
<10mΩ



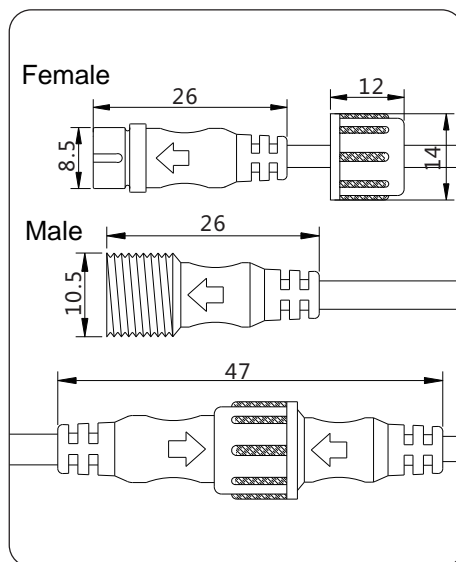
# WATERPROOF CONNECTOR

## MINI Series

Name: MN-M10 MINI-04



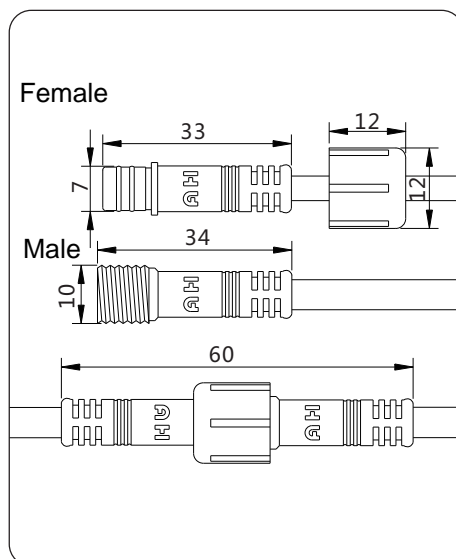
- 1.料号(Part No.): KLS15-MN04-M10-S-P-04
- 2.注塑材质(Material): PVC
- 3.最大线径(Max Cable OD): 4.8mm
- 4.可选芯数(Pin): 4
- 5.防水等级(Waterproof Level): IP67
- 6.线材可选(Cable): PVC、橡胶(Rubber)、硅胶(Silicon)
- 7.工作温度(Temperature Rating): -20° ~ +85°
- 8.接触电阻(Contact Resistance): <10mΩ



Name: MN-M10 MINI-05



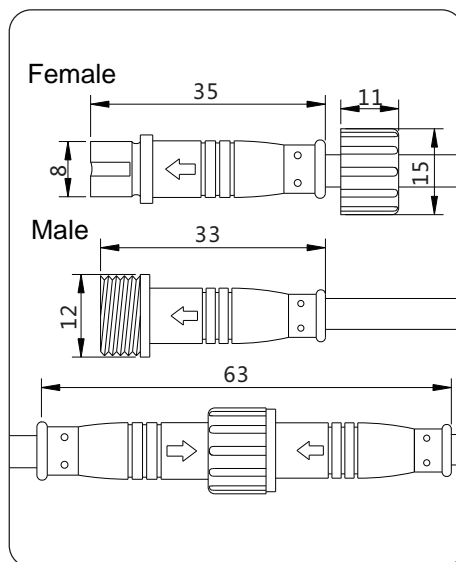
- 1.料号(Part No.): KLS15-MN05-M10-S-P-04
- 2.注塑材质(Material): PVC
- 3.最大线径(Max Cable OD): 5.0mm
- 4.可选芯数(Pin): 2、3、4
- 5.防水等级(Waterproof Level): IP67
- 6.线材可选(Cable): PVC、橡胶(Rubber)、硅胶(Silicon)
- 7.工作温度(Temperature Rating): -20° ~ +85°
- 8.接触电阻(Contact Resistance): <10mΩ



Name: MN-M10 MINI-06



- 1.料号(Part No.): KLS15-MN06-M12-S-P-04
- 2.注塑材质(Material): PVC
- 3.最大线径(Max Cable OD): 5.0mm
- 4.可选芯数(Pin): 2、3、4、5
- 5.防水等级(Waterproof Level): IP67
- 6.线材可选(Cable): PVC、橡胶(Rubber)、硅胶(Silicon)
- 7.工作温度(Temperature Rating): -20° ~ +85°
- 8.接触电阻(Contact Resistance): <10mΩ



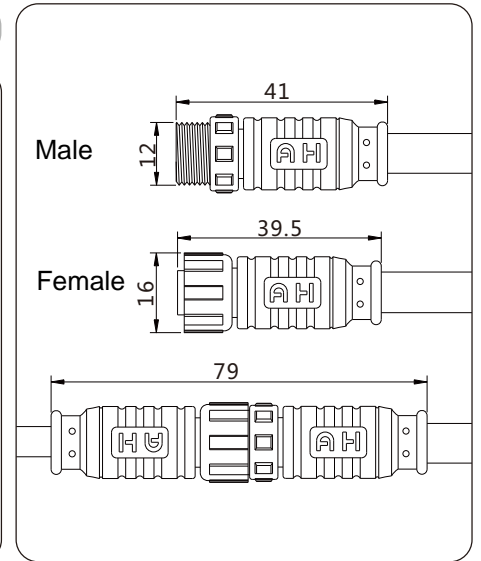
# WATERPROOF CONNECTOR

## MINI Series

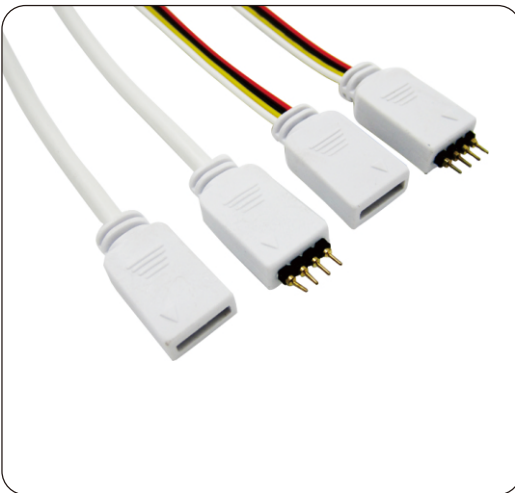
Name: MN-M12 MINI-07



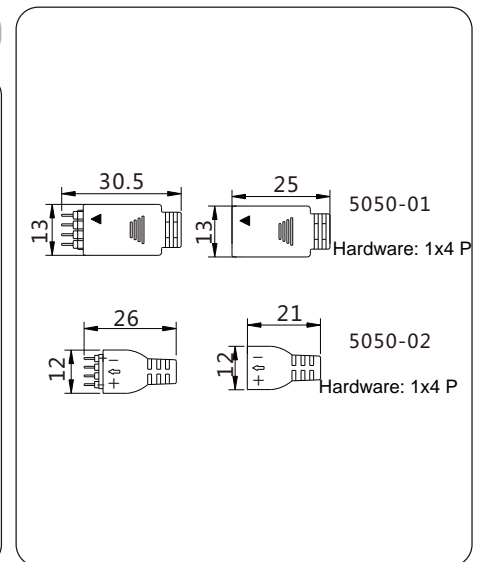
- 1.料号(Part No.):  
KLS15-MN07-M12-S-P-02
- 2.注塑材质(Material):  
PVC
- 3.最大线径(Max Cable OD):  
6.8mm
- 4.可选芯数(Pin):  
2、3
- 5.防水等级(Waterproof Level):  
IP67
- 6.线材可选(Cable):  
PVC、橡胶(Rubber)、硅胶(Silicon)
- 7.工作温度(Temperature Rating):  
-20° ~ +85°
- 8.接触电阻(Contact Resistance):  
<10mΩ



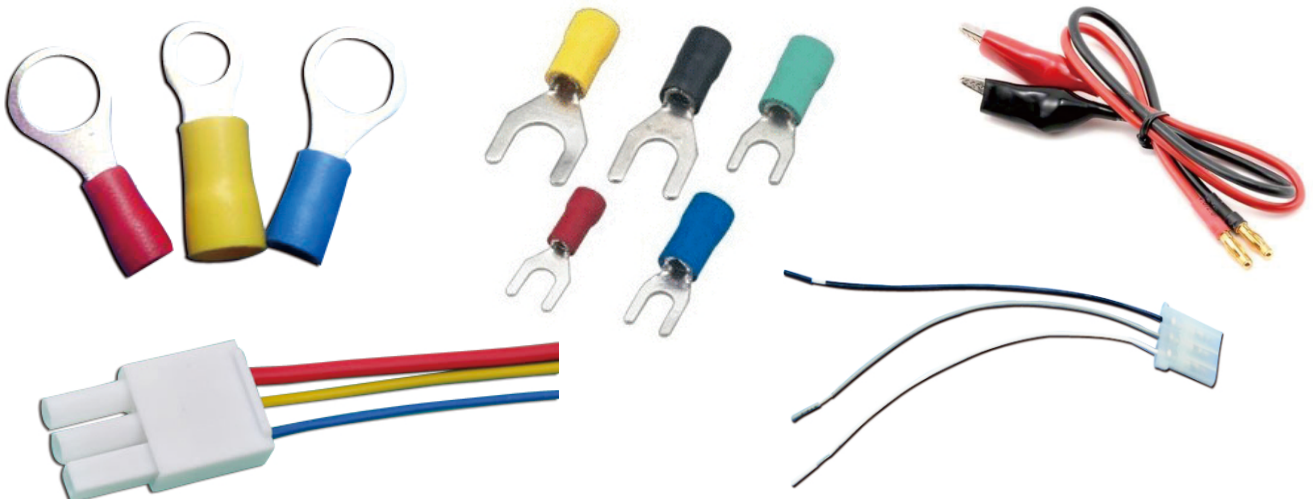
Name: MN-M13 MINI-08(Light with connector)



- 1.料号(Part No.):  
KLS15-MN08-M13-Q-P-04
- 2.注塑材质(Material):  
PVC
- 3.最大线径(Max Cable OD):  
3.8mm
- 4.可选芯数(Pin):  
4
- 5.防水等级(Waterproof Level):  
IP60
- 6.线材可选(Cable):  
PVC、橡胶(Rubber)、硅胶(Silicon)
- 7.工作温度(Temperature Rating):  
-20° ~ +85°
- 8.接触电阻(Contact Resistance):  
<10mΩ



## 尾部处理(Terminal Handle)



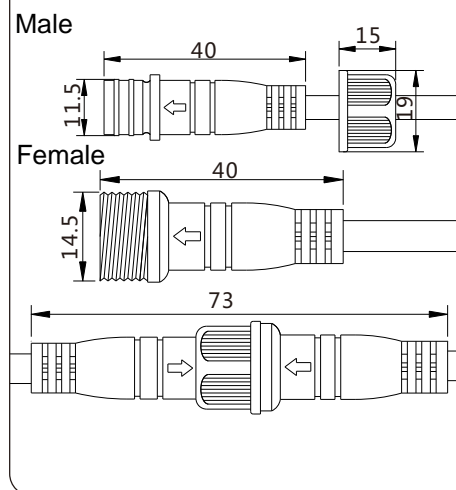
# WATERPROOF CONNECTOR

## Standard Series

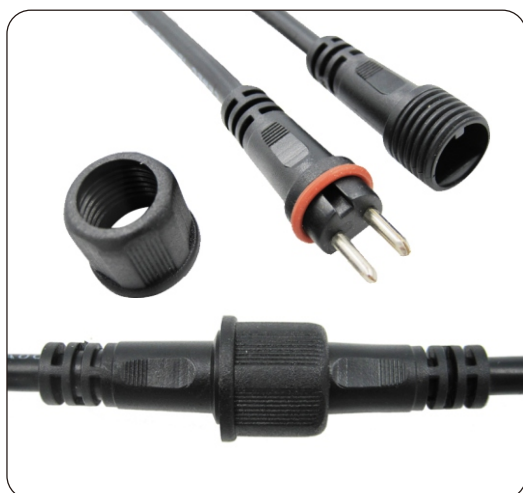
Name:SD-M14 Standard-01



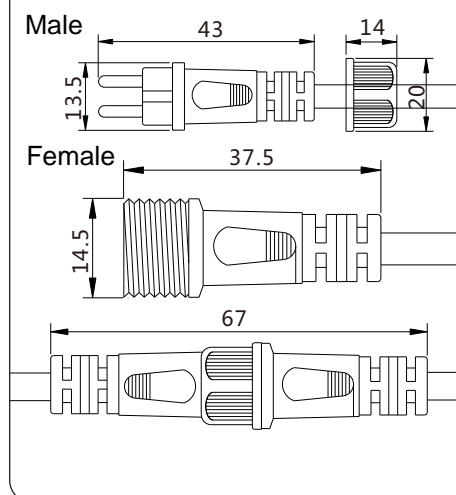
- 1.料号(Part No.): KLS15-SD01-M14-S-P-02
- 2.注塑材质(Material): PVC
- 3.最大线径(Max Cable OD): 6.4mm
- 4.可选芯数(Pin): 2
- 5.防水等级(Waterproof Level): IP67
- 6.线材可选(Cable): PVC、橡胶(Rubber)、硅胶(Silicon)
- 7.工作温度(Temperature Rating): -20° ~ +85°
- 8.接触电阻(Contact Resistance): <10mΩ



Name:SD-M14 Standard-02



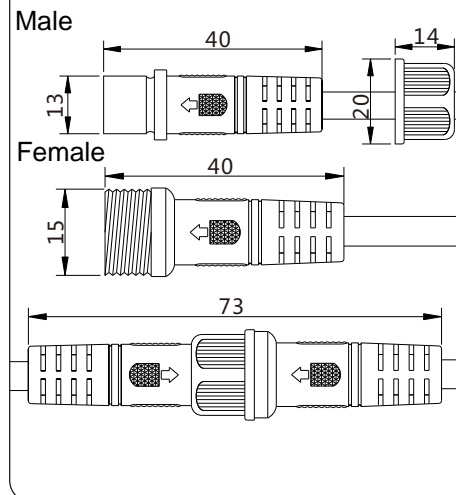
- 1.料号(Part No.): KLS15-SD02-M14-S-P-02
- 2.注塑材质(Material): PVC
- 3.最大线径(Max Cable OD): 6.8mm
- 4.可选芯数(Pin): 2
- 5.防水等级(Waterproof Level): IP67
- 6.线材可选(Cable): PVC、橡胶(Rubber)、硅胶(Silicon)
- 7.工作温度(Temperature Rating): -20° ~ +85°
- 8.接触电阻(Contact Resistance): <10mΩ



Name:SD-M14 Standard-03



- 1.料号(Part No.): KLS15-SD03-M14-S-P-02
- 2.注塑材质(Material): PVC
- 3.最大线径(Max Cable OD): 6.8mm
- 4.可选芯数(Pin): 2、3、4
- 5.防水等级(Waterproof Level): IP67
- 6.线材可选(Cable): PVC、橡胶(Rubber)、硅胶(Silicon)
- 7.工作温度(Temperature Rating): -20° ~ +85°
- 8.接触电阻(Contact Resistance): <10mΩ



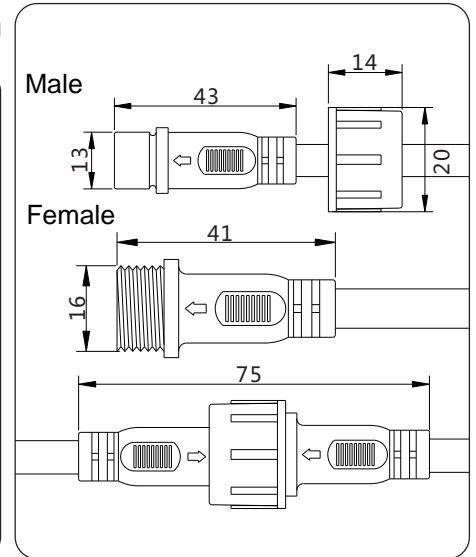
# WATERPROOF CONNECTOR

## Standard Series

Name:SD-M16 Standard-04



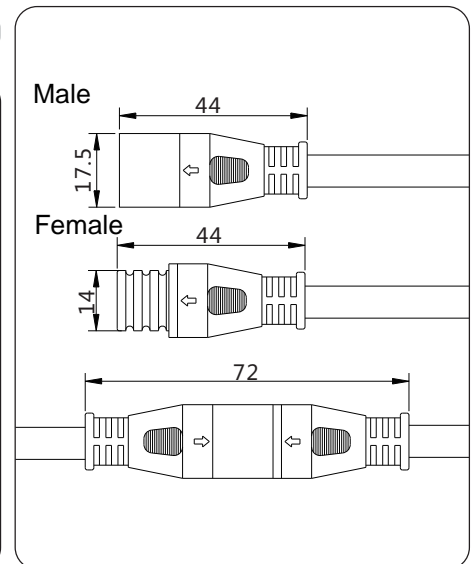
- 1.料号(Part No.):  
KLS15-SD04-M16-S-P-03
- 2.注塑材质(Material):  
PVC
- 3.最大线径(Max Cable OD):  
7.2mm
- 4.可选芯数(Pin):  
2、3
- 5.防水等级(Waterproof Level):  
IP67
- 6.线材可选(Cable):  
PVC、橡胶(Rubber)、硅胶(Silicon)
- 7.工作温度(Temperature Rating):  
-20° ~ +85°
- 8.接触电阻(Contact Resistance):  
<10mΩ



Name:SD-M14 Standard-05



- 1.料号(Part No.):  
KLS15-SD05-M14-Q-P-02
- 2.注塑材质(Material):  
PVC
- 3.最大线径(Max Cable OD):  
7.2mm
- 4.可选芯数(Pin):  
2
- 5.防水等级(Waterproof Level):  
IP65
- 6.线材可选(Cable):  
PVC、橡胶(Rubber)、硅胶(Silicon)
- 7.工作温度(Temperature Rating):  
-20° ~ +85°
- 8.接触电阻(Contact Resistance):  
<10mΩ



*We Focus*

*On Your Connection*



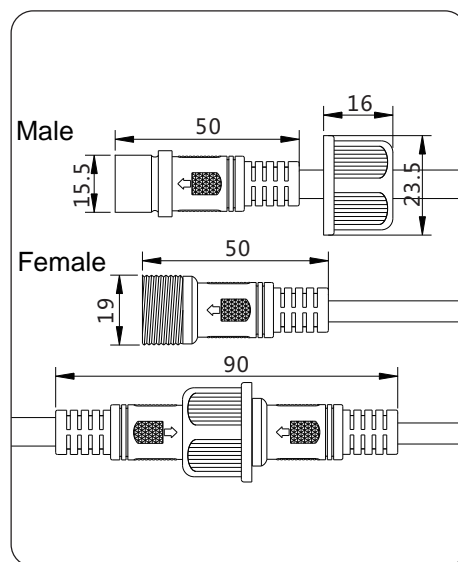
# WATERPROOF CONNECTOR

## Middle Series

### Name:MI-M19 Middle Standard-01



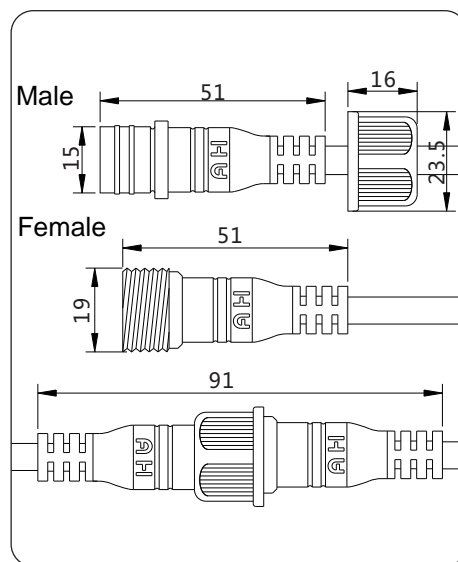
- 1.料号(Part No.): KLS15-MI01-M19-S-P-03
- 2.注塑材质(Material): PVC
- 3.最大线径(Max Cable OD): 8.2mm
- 4.可选芯数(Pin): 2、3、4、5、6、8
- 5.防水等级(Waterproof Level): IP67
- 6.线材可选(Cable): PVC、橡胶(Rubber)、硅胶(Silicon)
- 7.工作温度(Temperature Rating): -20° ~ +85°
- 8.接触电阻(Contact Resistance): <10mΩ



### Name:MI-M19 Middle Standard-02



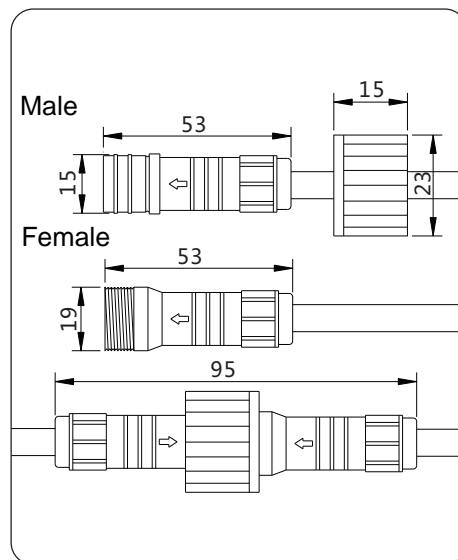
- 1.料号(Part No.): KLS15-MI02-M19-S-P-03
- 2.注塑材质(Material): PVC
- 3.最大线径(Max Cable OD): 6.8mm
- 4.可选芯数(Pin): 2、3、4
- 5.防水等级(Waterproof Level): IP67
- 6.线材可选(Cable): PVC、橡胶(Rubber)、硅胶(Silicon)
- 7.工作温度(Temperature Rating): -20° ~ +85°
- 8.接触电阻(Contact Resistance): <10mΩ



### Name:MI-M19 Middle Standard-03



- 1.料号(Part No.): KLS15-MI03-M19-S-P-04
- 2.注塑材质(Material): PVC
- 3.最大线径(Max Cable OD): 8.3mm
- 4.可选芯数(Pin): 2、3、4
- 5.防水等级(Waterproof Level): IP67
- 6.线材可选(Cable): PVC、橡胶(Rubber)、硅胶(Silicon)
- 7.工作温度(Temperature Rating): -20° ~ +85°
- 8.接触电阻(Contact Resistance): <10mΩ



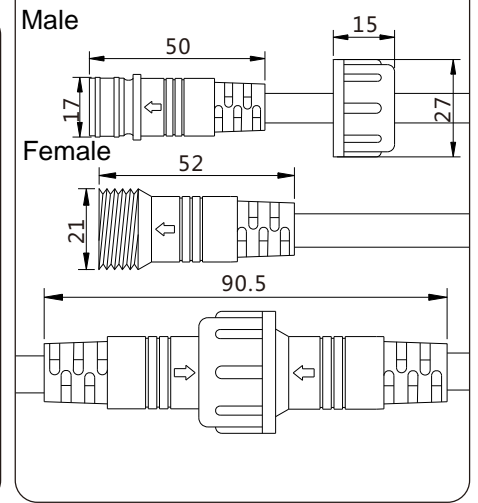
# WATERPROOF CONNECTOR

## Middle Series

Name:MI-M21 Middle Standard-04



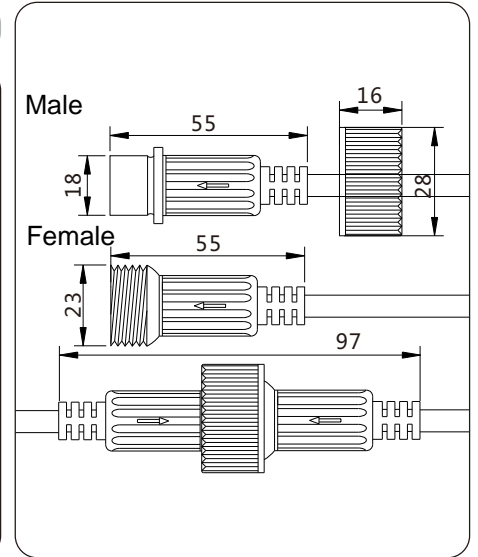
- 1.料号(Part No.): KLS15-MI04-M21-S-P-02
- 2.注塑材质(Material): PVC
- 3.最大线径(Max Cable OD): 10.0mm
- 4.可选芯数(Pin): 2、3、4
- 5.防水等级(Waterproof Level): IP67
- 6.线材可选(Cable): PVC、橡胶(Rubber)、硅胶(Silicon)
- 7.工作温度(Temperature Rating): -20° ~ +85°
- 8.接触电阻(Contact Resistance): <10mΩ



Name:MI-M23 Middle Standard-05



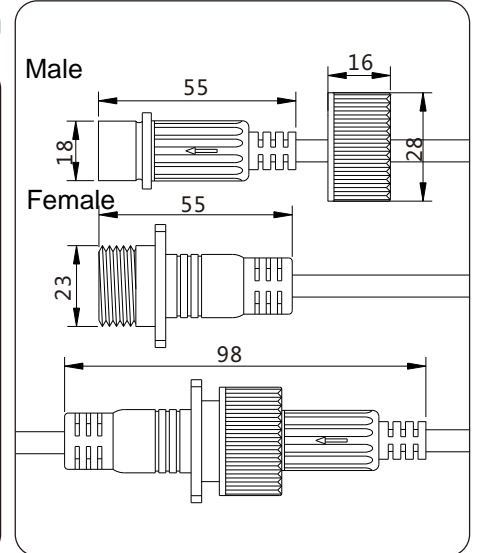
- 1.料号(Part No.): KLS15-MI05-M23-S-P-02
- 2.注塑材质(Material): PVC
- 3.最大线径(Max Cable OD): 12.0mm
- 4.可选芯数(Pin): 2、3、5、6
- 5.防水等级(Waterproof Level): IP67
- 6.线材可选(Cable): PVC、橡胶(Rubber)、硅胶(Silicon)
- 7.工作温度(Temperature Rating): -20° ~ +85°
- 8.接触电阻(Contact Resistance): <10mΩ



Name:MI-M23 Middle Standard-06



- 1.料号(Part No.): KLS15-MI06-M23-S-P-02
- 2.注塑材质(Material): PVC
- 3.最大线径(Max Cable OD): 12.0mm
- 4.可选芯数(Pin): 2
- 5.防水等级(Waterproof Level): IP67
- 6.线材可选(Cable): PVC、橡胶(Rubber)、硅胶(Silicon)
- 7.工作温度(Temperature Rating): -20° ~ +85°
- 8.接触电阻(Contact Resistance): <10mΩ



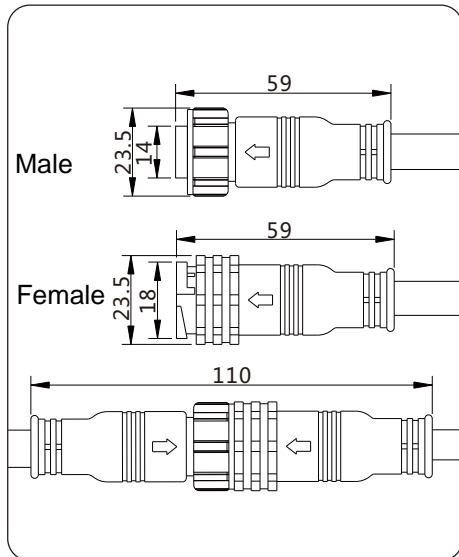
# WATERPROOF CONNECTOR

## Large Series

Name: LG-M18 Large Power-01



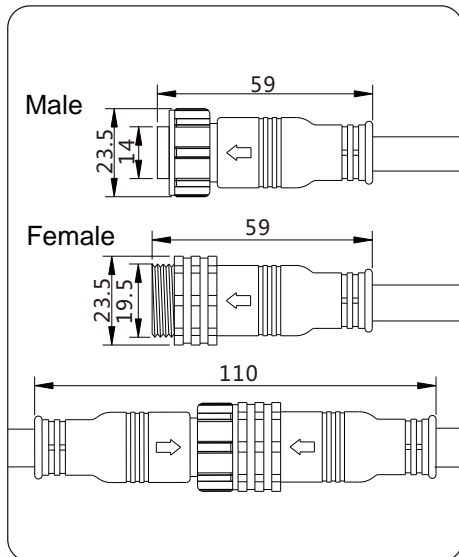
- 1.料号(Part No.): KLS15-LA01-M18-Q-P-03
- 2.注塑材质(Material): PVC
- 3.最大线径(Max Cable OD): 10.0mm
- 4.可选芯数(Pin): 2、3、5、7
- 5.防水等级(Waterproof Level): IP67
- 6.线材可选(Cable): PVC、橡胶(Rubber)、硅胶(Silicon)
- 7.工作温度(Temperature Rating): -40° ~ +105°
- 8.接触电阻(Contact Resistance): <10mΩ



Name: LG-M19 Large Power-02



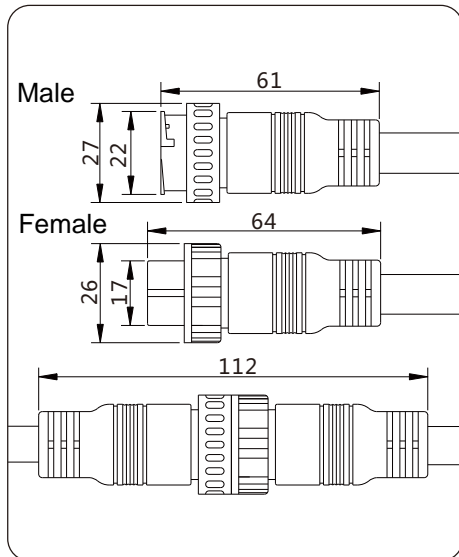
- 1.料号(Part No.): KLS15-LA02-M19-S-P-03
- 2.注塑材质(Material): PVC
- 3.最大线径(Max Cable OD): 10.0mm
- 4.可选芯数(Pin): 2、3、5、7
- 5.防水等级(Waterproof Level): IP67
- 6.线材可选(Cable): PVC、橡胶(Rubber)、硅胶(Silicon)
- 7.工作温度(Temperature Rating): -40° ~ +105°
- 8.接触电阻(Contact Resistance): <10mΩ



Name: LG-M22 Large Power-03



- 1.料号(Part No.): KLS15-LA03-M22-Q-P-02
- 2.注塑材质(Material): PVC
- 3.最大线径(Max Cable OD): 12.5mm
- 4.可选芯数(Pin): 2
- 5.防水等级(Waterproof Level): IP67
- 6.线材可选(Cable): PVC、橡胶(Rubber)、硅胶(Silicon)
- 7.工作温度(Temperature Rating): -20° ~ +85°
- 8.接触电阻(Contact Resistance): <10mΩ





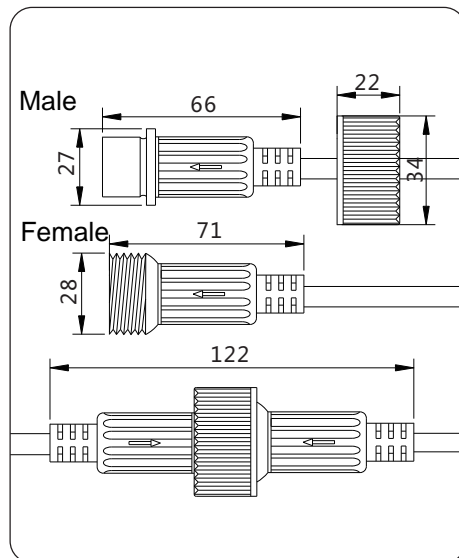
# WATERPROOF CONNECTOR

## Large Series

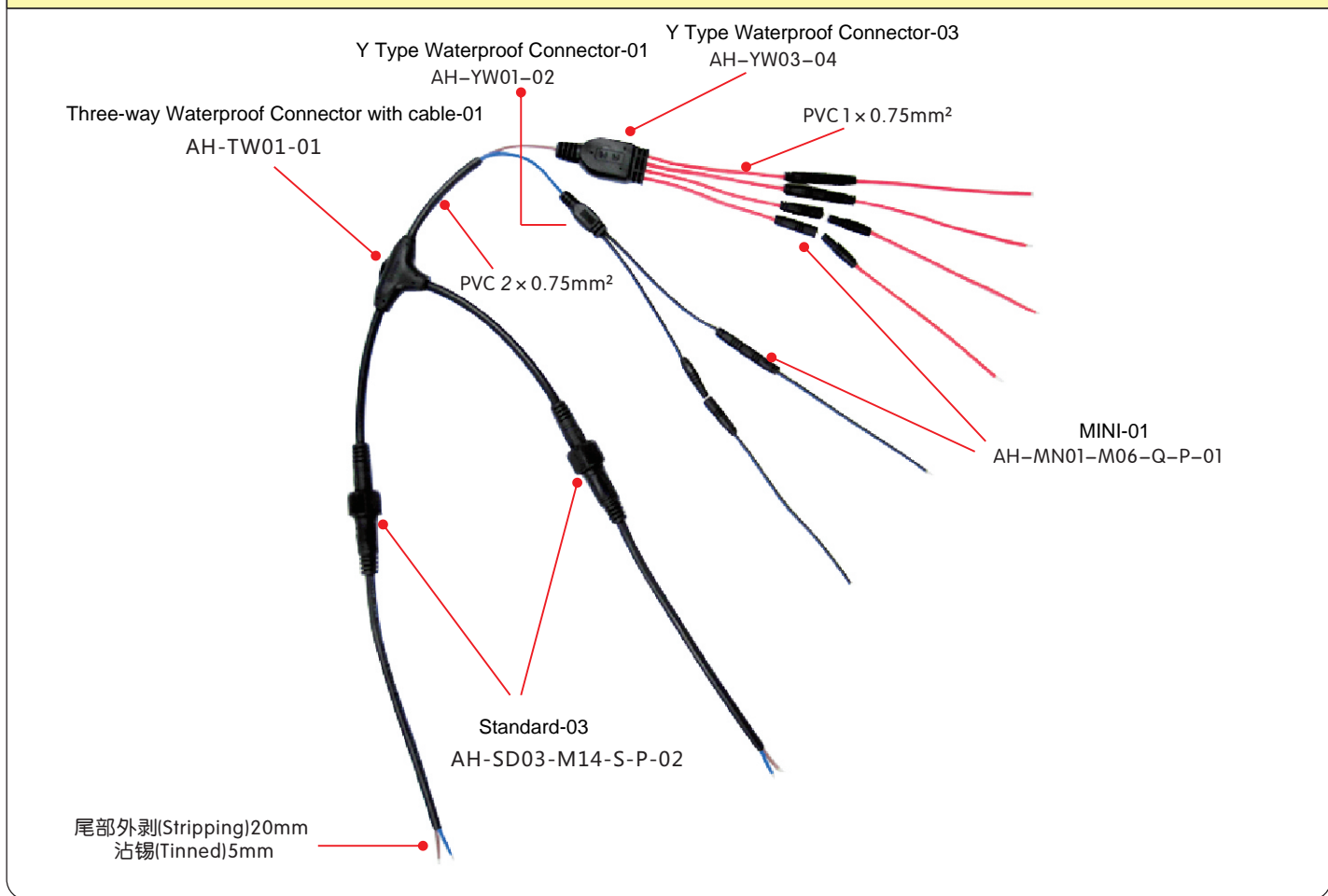
Name: LG-M28 Large Power-04



- 1.料号(Part No.): KLS15-LA04-M28-S-P-02
- 2.注塑材质(Material): PVC
- 3.最大线径(Max Cable OD): 12.5mm
- 4.可选芯数(Pin): 2, 3, 5
- 5.防水等级(Waterproof Level): IP67
- 6.线材可选(Cable): PVC、橡胶(Rubber)、硅胶(Silicon)
- 7.工作温度(Temperature Rating): -20° ~ +85°
- 8.接触电阻(Contact Resistance): <math><10\text{m}\Omega</math>



## 客户案例 ( Customer case )



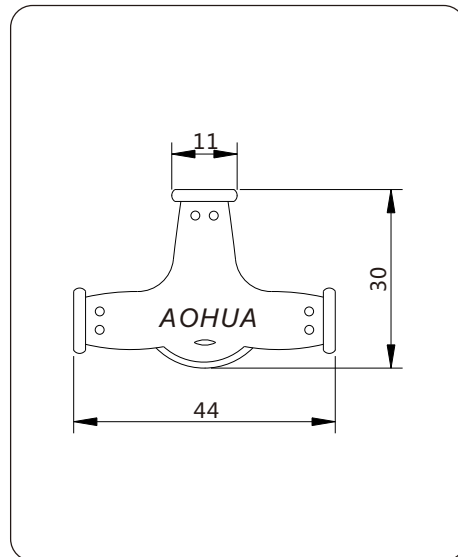
# WATERPROOF CONNECTOR

## T Series

Name:T-TW01 T Type Three-way Waterproof Connector with cable-01



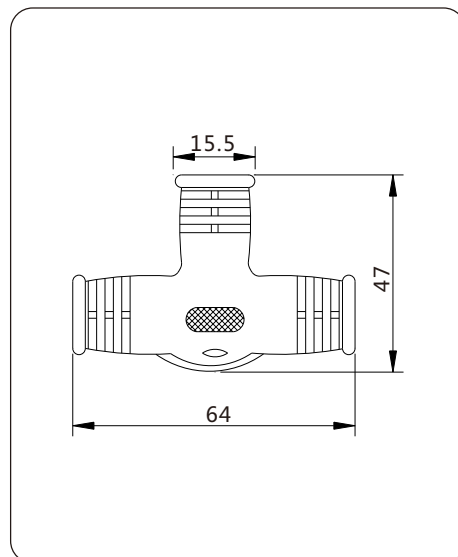
- 1.料号(Part No.):  
KLS15-TW01-01
- 2.注塑材质(Material):  
PVC
- 3.主线最大线径(Main Max Cable OD):  
6.8mm
- 4.分线最大线径(Branch Max Cable OD):  
6.8mm
- 5.防水等级(Waterproof Level):  
IP67
- 6.线材可选(Cable):  
PVC、橡胶(Rubber)、硅胶(Silicon)
- 7.工作温度(Temperature Rating):  
-20° ~ +85°
- 8.接触电阻(Contact Resistance):  
<10mΩ



Name:T-TW02 T Type Three-way Waterproof Connector with cable-02



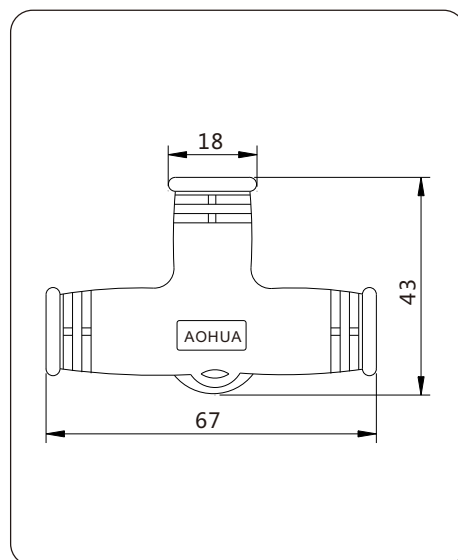
- 1.料号(Part No.):  
KLS15-TW02-01
- 2.注塑材质(Material):  
PVC
- 3.主线最大线径(Main Max Cable OD):  
9.5mm
- 4.分线最大线径(Branch Max Cable OD):  
9.5mm
- 5.防水等级(Waterproof Level):  
IP67
- 6.线材可选(Cable):  
PVC、橡胶(Rubber)、硅胶(Silicon)
- 7.工作温度(Temperature Rating):  
-20° ~ +85°
- 8.接触电阻(Contact Resistance):  
<10mΩ



Name:T-TW03 T Type Three-way Waterproof Connector with cable-03



- 1.料号(Part No.):  
KLS15-TW03-01
- 2.注塑材质(Material):  
PVC
- 3.主线最大线径(Main Max Cable OD):  
12.5mm
- 4.分线最大线径(Branch Max Cable OD):  
12.5mm
- 5.防水等级(Waterproof Level):  
IP67
- 6.线材可选(Cable):  
PVC、橡胶(Rubber)、硅胶(Silicon)
- 7.工作温度(Temperature Rating):  
-20° ~ +85°
- 8.接触电阻(Contact Resistance):  
<10mΩ



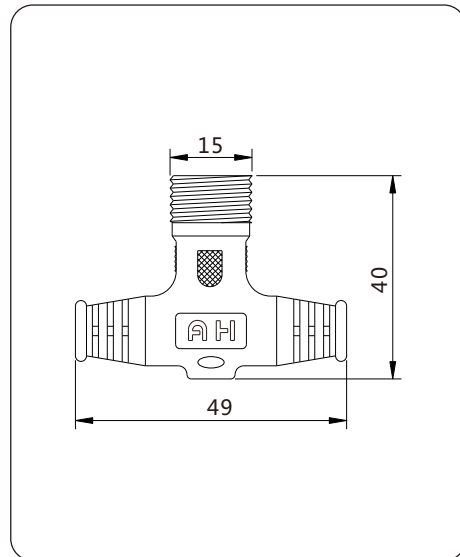
## WATERPROOF CONNECTOR

### T Series

Name:T-TW04 T Type Three-way Waterproof Connector with cable-04



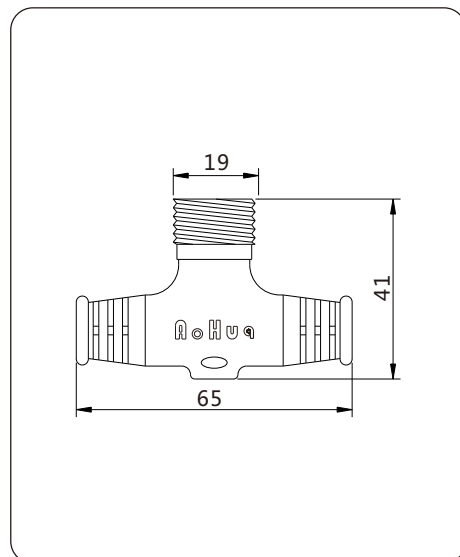
- 1.料号(Part No.):  
KLS15-TW04-01
- 2.注塑材质(Material):  
PVC
- 3.主线最大线径(Main Max Cable OD):  
6.4mm
- 4.分线最大线径(Branch Max Cable OD):  
6.4mm
- 5.防水等级(Waterproof Level):  
IP67
- 6.线材可选(Cable):  
PVC、橡胶(Rubber)、硅胶(Silicon)
- 7.工作温度(Temperature Rating):  
-20° ~ +85°
- 8.接触电阻(Contact Resistance):  
<10mΩ



Name:T-TW05 T Type Three-way Waterproof Connector with cable-05



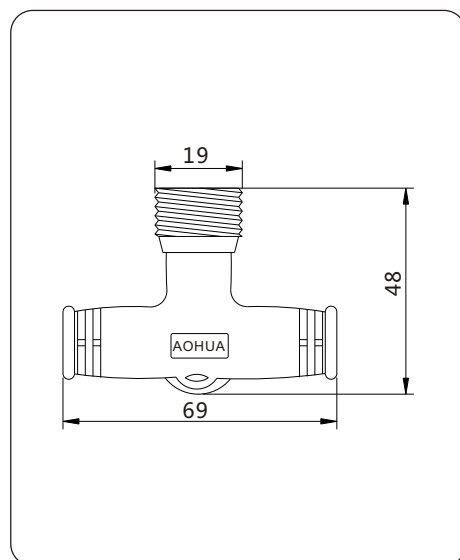
- 1.料号(Part No.):  
KLS15-TW05-01
- 2.注塑材质(Material):  
PVC
- 3.主线最大线径(Main Max Cable OD):  
8.0mm
- 4.分线最大线径(Branch Max Cable OD):  
8.0mm
- 5.防水等级(Waterproof Level):  
IP67
- 6.线材可选(Cable):  
PVC、橡胶(Rubber)、硅胶(Silicon)
- 7.工作温度(Temperature Rating):  
-20° ~ +85°
- 8.接触电阻(Contact Resistance):  
<10mΩ



Name:T-TW06 T Type Three-way Waterproof Connector with cable-06



- 1.料号(Part No.):  
KLS15-TW06-01
- 2.注塑材质(Material):  
PVC
- 3.主线最大线径(Main Max Cable OD):  
12.5mm
- 4.分线最大线径(Branch Max Cable OD):  
12.5mm
- 5.防水等级(Waterproof Level):  
IP67
- 6.线材可选(Cable):  
PVC、橡胶(Rubber)、硅胶(Silicon)
- 7.工作温度(Temperature Rating):  
-20° ~ +85°
- 8.接触电阻(Contact Resistance):  
<10mΩ



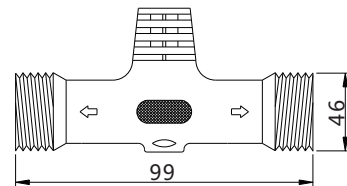
## WATERPROOF CONNECTOR

### T Series

Name:T-TW07 T Type Three-way Waterproof Connector with cable-07



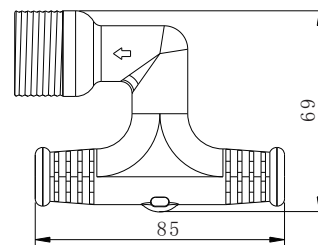
- 1.料号(Part No.):  
KLS15-TW07-01
- 2.注塑材质(Material):  
PVC
- 3.主线最大线径(Main Max Cable OD):  
12.0mm
- 4.分线最大线径(Branch Max Cable OD):  
12.0mm
- 5.防水等级(Waterproof Level):  
IP67
- 6.线材可选(Cable):  
PVC、橡胶(Rubber)、硅胶(Silicon)
- 7.工作温度(Temperature Rating):  
-20° ~ +85°
- 8.接触电阻(Contact Resistance):  
<10mΩ



Name:T-TW08 T Type Three-way Waterproof Connector with cable-08



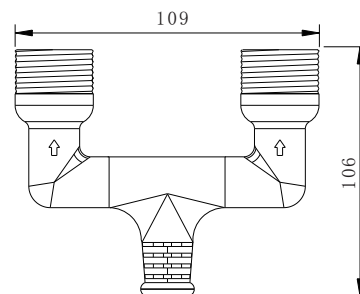
- 1.料号(Part No.):  
KLS15-TW08-01
- 2.注塑材质(Material):  
PVC
- 3.主线最大线径(Main Max Cable OD):  
12.0mm
- 4.分线最大线径(Branch Max Cable OD):  
12.0mm
- 5.防水等级(Waterproof Level):  
IP67
- 6.线材可选(Cable):  
PVC、橡胶(Rubber)、硅胶(Silicon)
- 7.工作温度(Temperature Rating):  
-20° ~ +85°
- 8.接触电阻(Contact Resistance):  
<10mΩ



Name:T-TW09 T Type Three-way Waterproof Connector with cable-09



- 1.料号(Part No.):  
KLS15-TW09-01
- 2.注塑材质(Material):  
PVC
- 3.主线最大线径(Main Max Cable OD):  
12.0mm
- 4.分线最大线径(Branch Max Cable OD):  
12.0mm
- 5.防水等级(Waterproof Level):  
IP67
- 6.线材可选(Cable):  
PVC、橡胶(Rubber)、硅胶(Silicon)
- 7.工作温度(Temperature Rating):  
-20° ~ +85°
- 8.接触电阻(Contact Resistance):  
<10mΩ



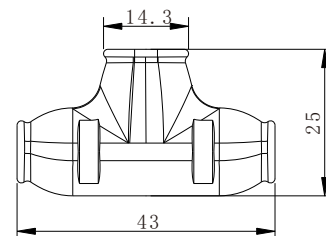
## WATERPROOF CONNECTOR

### T Series

Name:T-TW10 T Type Three-way Waterproof Connector with cable-10



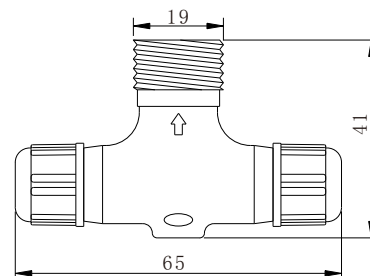
- 1.料号(Part No.):  
KLS15-TW10-01
- 2.注塑材质(Material):  
PVC
- 3.主线最大线径(Main Max Cable OD):  
8.0mm
- 4.分线最大线径(Branch Max Cable OD):  
6.8mm
- 5.防水等级(Waterproof Level):  
IP67
- 6.线材可选(Cable):  
PVC、橡胶(Rubber)、硅胶(Silicon)
- 7.工作温度(Temperature Rating):  
-20° ~ +85°
- 8.接触电阻(Contact Resistance):  
<10mΩ



Name:T-TW11 T Type Three-way Waterproof Connector with cable-11



- 1.料号(Part No.):  
KLS15-TW11-01
- 2.注塑材质(Material):  
PVC
- 3.主线最大线径(Main Max Cable OD):  
8.0mm
- 4.分线最大线径(Branch Max Cable OD):  
8.2mm
- 5.防水等级(Waterproof Level):  
IP68
- 6.线材可选(Cable):  
PVC、橡胶(Rubber)、硅胶(Silicon)
- 7.工作温度(Temperature Rating):  
-20° ~ +85°
- 8.接触电阻(Contact Resistance):  
<10mΩ



### How to order KLS Three-way Waterproof Connector with Cable?

- ①、 Material, wire gauge of main and branching cable, and the suitable three-way connector.
- ②、 Mode of connecting inside the three-way connector.
- ③、 Length of each cable.
- ④、 Other special order.

### How to order KLS T type Waterproof Connector?

- ①、 No. of branching cable (1 haul 2, 1 haul 3 and so on).
- ②、 Material of main and branching cable.
- ③、 Chose suitable Y type middle clip according to cable diameter.
- ④、 Length of main and branching cable, and mode of connecting inside the middle clip ( in series, in parallel)
- ⑤、 Other special order.

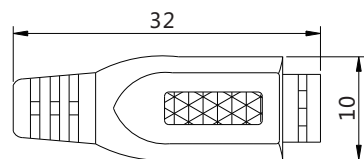
## WATERPROOF CONNECTOR

### Y Series

#### Name: Y-YW01 Y Type Waterproof Connector-01

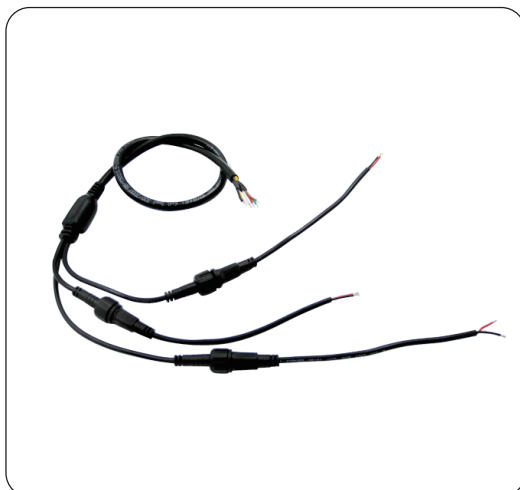


- 1.料号(Part No.):  
KLS15-YW01-02
- 2.注塑材质(Material):  
PVC
- 3.主线最大线径(Main Max Cable OD):  
4.0mm
- 4.分线最大线径(Branch Max Cable OD):  
3.5mm
- 5.分线数量(Max number of Branch):  
1拖2 ( 1 input 2 output )
- 6.防水等级(Waterproof Level):  
IP67
- 7.线材可选(Cable):  
PVC、橡胶(Rubber)、硅胶(Silicon)
- 8.工作温度(Temperature Rating):  
-20° ~ +85°

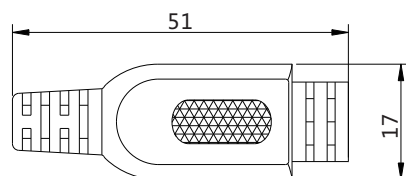


Middle Clip:L=32 W=10 T=10

#### Name: Y-YW02 Y Type Waterproof Connector-02



- 1.料号(Part No.):  
KLS15-YW02-03
- 2.注塑材质(Material):  
PVC
- 3.主线最大线径(Main Max Cable OD):  
6.8mm
- 4.分线最大线径(Branch Max Cable OD):  
5.0mm
- 5.分线数量(Max number of Branch):  
1拖(2至4) ( 1 input (2-4) output )
- 6.防水等级(Waterproof Level):  
IP67
- 7.线材可选(Cable):  
PVC、橡胶(Rubber)、硅胶(Silicon)
- 8.工作温度(Temperature Rating):  
-20° ~ +85°

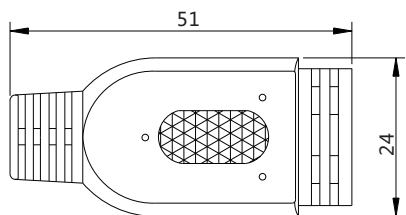


Middle Clip:L=51 W=17 T=14

#### Name: Y-YW03 Y Type Waterproof Connector-03



- 1.料号(Part No.):  
KLS15-YW03-03
- 2.注塑材质(Material):  
PVC
- 3.主线最大线径(Main Max Cable OD):  
8.2mm
- 4.分线最大线径(Branch Max Cable OD):  
6.8mm
- 5.分线数量(Max number of Branch):  
1拖(2至6) ( 1 input (2-6) output )
- 6.防水等级(Waterproof Level):  
IP67
- 7.线材可选(Cable):  
PVC、橡胶(Rubber)、硅胶(Silicon)
- 8.工作温度(Temperature Rating):  
-20° ~ +85°



Middle Clip:L=51 W=24 T=14

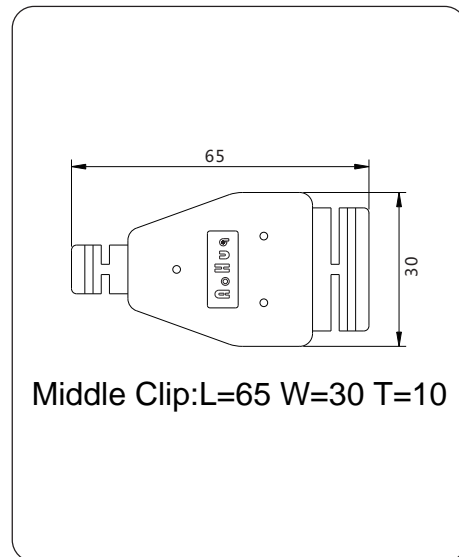
# WATERPROOF CONNECTOR

## Y Series

### Name: Y-YW04 Y Type Waterproof Connector-04



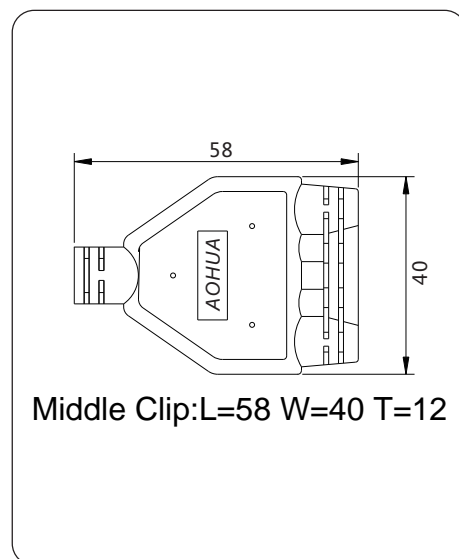
- 1.料号(Part No.):  
KLS15-YW04-04
- 2.注塑材质(Material):  
PVC
- 3.主线最大线径(Main Max Cable OD):  
7.2mm
- 4.分线最大线径(Branch Max Cable OD):  
5.0mm
- 5.分线数量(Max number of Branch):  
1拖(2至6) ( 1 input (2-6) ouput )
- 6.防水等级(Waterproof Level):  
IP67
- 7.线材可选(Cable):  
PVC、橡胶(Rubber)、硅胶(Silicon)
- 8.工作温度(Temperature Rating):  
-20° ~ +85°



### Name: Y-YW05 Y Type Waterproof Connector-05



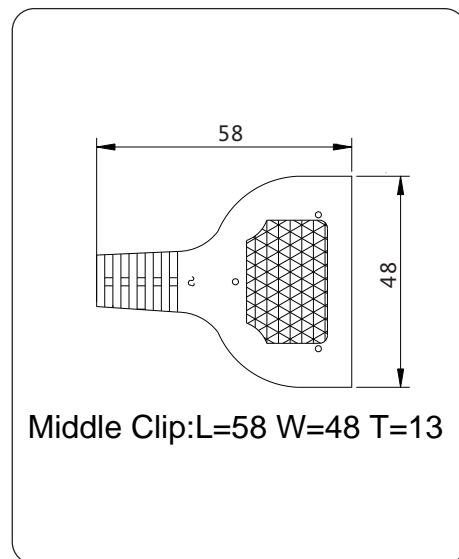
- 1.料号(Part No.):  
KLS15-YW05-04
- 2.注塑材质(Material):  
PVC
- 3.主线最大线径(Main Max Cable OD):  
8.0mm
- 4.分线最大线径(Branch Max Cable OD):  
6.3mm
- 5.分线数量(Max number of Branch):  
1拖(2至6) ( 1 input (2-6) ouput )
- 6.防水等级(Waterproof Level):  
IP67
- 7.线材可选(Cable):  
PVC、橡胶(Rubber)、硅胶(Silicon)
- 8.工作温度(Temperature Rating):  
-20° ~ +85°



### Name: Y-YW06 Y Type Waterproof Connector-06



- 1.料号(Part No.):  
KLS15-YW06-03
- 2.注塑材质(Material):  
PVC
- 3.主线最大线径(Main Max Cable OD):  
8.3mm
- 4.分线最大线径(Branch Max Cable OD):  
6.8mm
- 5.分线数量(Max number of Branch):  
1拖(2至7) ( 1 input (2-7) ouput )
- 6.防水等级(Waterproof Level):  
IP67
- 7.线材可选(Cable):  
PVC、橡胶(Rubber)、硅胶(Silicon)
- 8.工作温度(Temperature Rating):  
-20° ~ +85°



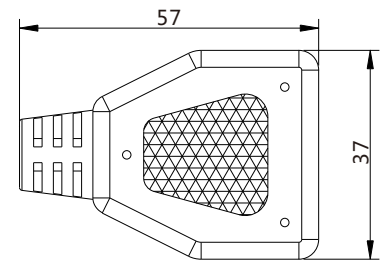
## WATERPROOF CONNECTOR

### Y Series

Name: Y-YW07 Y Type Waterproof Connector-07



- 1.料号(Part No.):  
KLS15-YW07-10
- 2.注塑材质(Material):  
PVC
- 3.主线最大线径(Main Max Cable OD):  
10.0mm
- 4.分线最大线径(Branch Max Cable OD):  
10.0mm
- 5.分线数量(Max number of Branch):  
1拖(2至10) ( 1 input (2-10) output )
- 6.防水等级(Waterproof Level):  
IP67
- 7.线材可选(Cable):  
PVC、橡胶(Rubber)、硅胶(Silicon)
- 8.工作温度(Temperature Rating):  
-20° ~ +85°

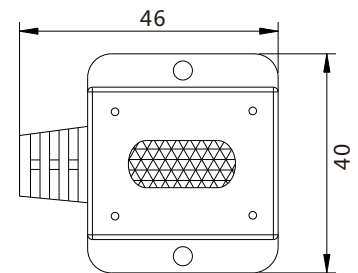


Middle Clip:L=57 W=37 T=21

Name: Y-YW08 Y Type Waterproof Connector-08



- 1.料号(Part No.):  
KLS15-YW08-03
- 2.注塑材质(Material):  
PVC
- 3.主线最大线径(Main Max Cable OD):  
10.0mm
- 4.分线最大线径(Branch Max Cable OD):  
10.0mm
- 5.分线数量(Max number of Branch):  
1拖(2至12) ( 1 input (2-12) output )
- 6.防水等级(Waterproof Level):  
IP67
- 7.线材可选(Cable):  
PVC、橡胶(Rubber)、硅胶(Silicon)
- 8.工作温度(Temperature Rating):  
-20° ~ +85°

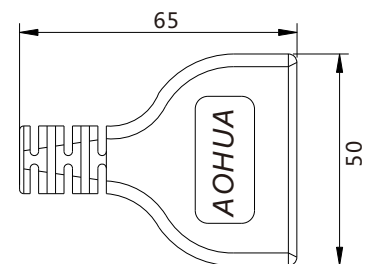


Middle Clip:L=46 W=40 T=20

Name: Y-YW09 Y Type Waterproof Connector-09



- 1.料号(Part No.):  
KLS15-YW09-05
- 2.注塑材质(Material):  
PVC
- 3.主线最大线径(Main Max Cable OD):  
9.5mm
- 4.分线最大线径(Branch Max Cable OD):  
9.5mm
- 5.分线数量(Max number of Branch):  
1拖(2至8) ( 1 input (2-8) output )
- 6.防水等级(Waterproof Level):  
IP67
- 7.线材可选(Cable):  
PVC、橡胶(Rubber)、硅胶(Silicon)
- 8.工作温度(Temperature Rating):  
-20° ~ +85°

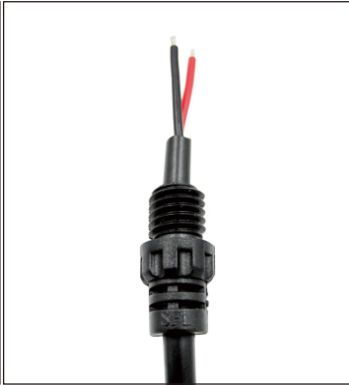


Middle Clip:L=65 W=50 T=15

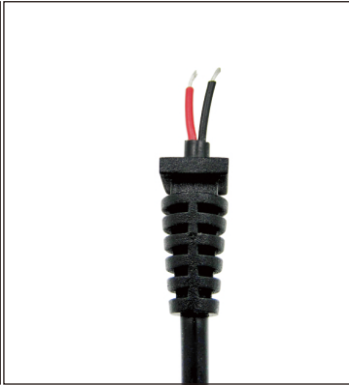




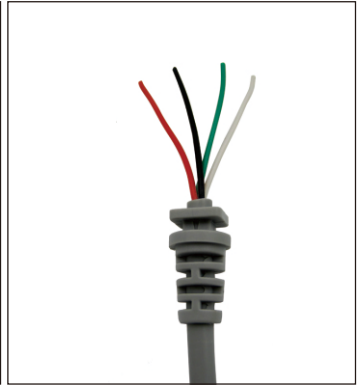
SR-01



SR-02



SR-03



SR-04



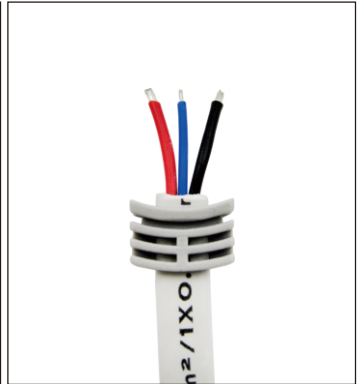
SR-05



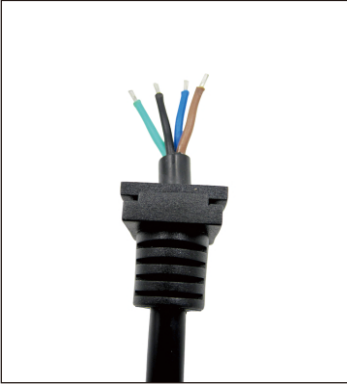
SR-06



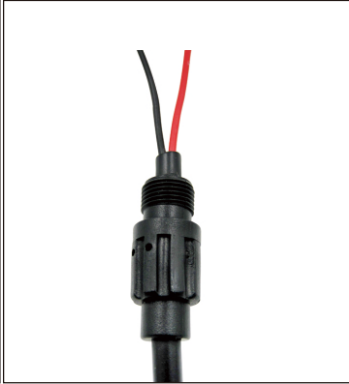
SR-07



SR-08



SR-09



SR-10



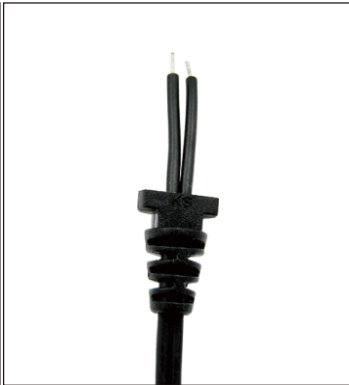
SR-11



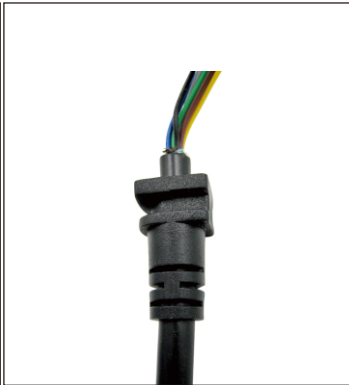
SR-12



SR-13



SR-14

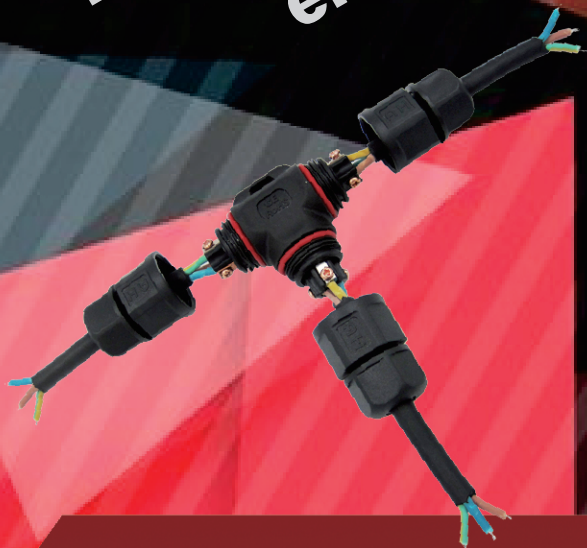


SR-15



SR-16

**KLS**  
electronic



主营：防水接头 防水插头 防水连接器 线缆押出 模具制造

Major business: waterproof connector cable mold

**KLS ELECTRONIC CO.,LTD.**

**宁波开乐亿启进出口有限公司**

[www.cnkls.com](http://www.cnkls.com)

[www.klsele.com](http://www.klsele.com)

Tel: +86-574-86828566 Fax: +86-574-86824882