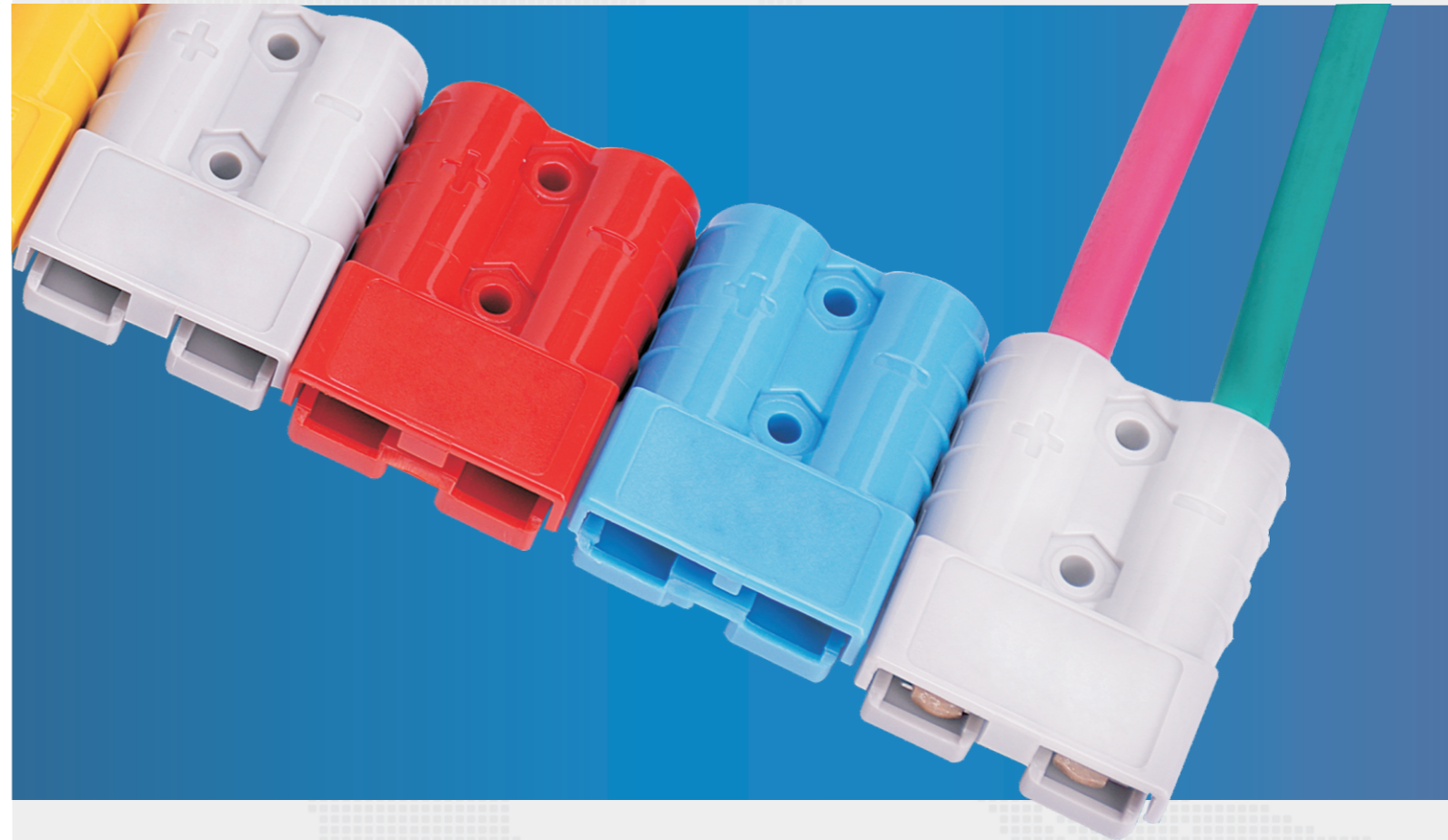




Your Best Components Sourcing



**NINGBO KLS ELECTRONIC CO.,LTD.**



**INSULATED  
TERMINALS**

WWW.KLSELE.COM

Email:sales@cnkls.com

Tel:0086-574-86828566



## Product Application



### NINGBO KLS ELECTRONIC CO.,LTD.

was founded in 2002.

KLS has been granted ISO9001 management system certifications.  
 KLS has supplier assessment reports No.: 4488700\_T For BUREAU VERITAS.  
 KLS has developed into a comprehensive group of electronic components, it has more than 10 wholly-owned and holding subsidiaries, With sales volume of over 20 million USD, KLS consecutively rank s among Top 10 Ningbo China Enterprises

Insulated terminals shall be used for Electric forklift, the charger, electric meter, Ups power supply, electric motorcycle rechargeable battery, Voice smart charger, patrol car, charger, charging pile, car battery.



# CONTENTS

XD15-45A	1-PIN HOUSING/TERMINAL (30A:3.8/2.54/16.5 15A:2.85/1.78/16.5 45A:17.5/6.10/3.12)	01/02
XD120A	1-PIN HOUSING/TERMINAL(120A T:8.70/11.0/25.0 T1:7.6/11.0/25.0 T2:5.6/11.0/25.0)	03/04
XD180A	1-PIN HOUSING/TERMINAL(180A TA:11.2/13.1/26.5 T1A:8.9/13.1/26.5 T2A:7.6/13.1/26.5)	03/04
XT30A	2-PIN HOUSING/TERMINAL(30A:5.57/5.6/21.7)	05/06
XT40A	2-PIN HOUSING/TERMINAL (40A T:6.4/3.9/26.9 T1:6.4/4.6/26.9 T2:6.4/5.1/26.9)	05/06
XT50A	2-PIN&3PIN HOUSING/TERMINAL(50A T2:3.7/7.0/12.0 T:4.7/7.0/12.0 T1:5.6/7.0/12.0)	07/08
XT75A	2-PIN HOUSING/TERMINAL (75A T1:5.6/7.0/12.0 T2:4.8/7.0/12.0 T3:3.9/7.0/12.0)	09/10
XT75A	3-PIN HOUSING/TERMINAL(75A T1:5.6/7.0/12.0 T2:4.8/7.0/12.0 T3:3.9/7.0/12.0)	11/12
XT120A	2-PIN HOUSING/TERMINAL(120A T:8.70/11.0/25.0 T1:7.6/11.0/25.0 T2:5.6/11.0/25.0)	13/14
XT175A	2-PIN HOUSING/TERMINAL(175A TA:11.2/13.1/26.5 T1A:8.9/13.1/26.5 T2A:7.6/13.1/26.5)	13/14
XT175A	3-PIN HOUSING/TERMINAL(175A TA:11.2/13.1/26.5 T1A:8.9/13.1/26.5 T2A:7.6/13.1/26.5)	15/16
XT350A	2-PIN HOUSING/TERMINAL(350A T:16.26/19.05/32.8 T1:14.73/17.78/32.8 T2:12.45/16.26/32.8 T3:11.18/12.95/32.8)	15/16

# XD15-45A POWER CONNECTOR



# XD15-45A POWER CONNECTOR

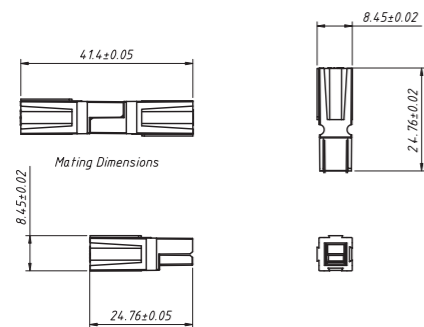
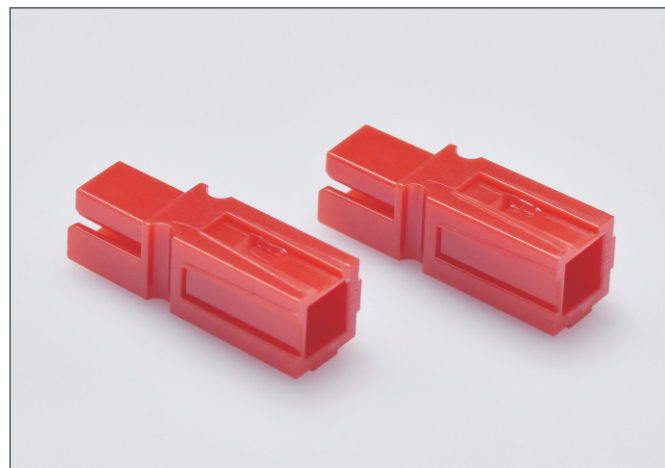


## Product Selection

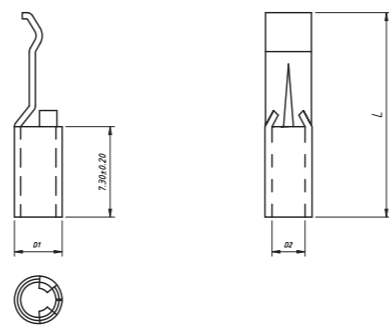
### Power Connector XD15-45A Series:15-45A 600V

Current	Rated Voltage	Housing		Terminal		
		Material	Housing Color	Material	Dia./mm	wire
XD 15-45A	600V	PC UL94V-0	1pin-Red, green, black, white, blue, yellow, orange, grey, brown, pink, purple.	Copper With Silver Plating	T:3.8/2.54/16.5	12/16AWG

Housing :1 Pole



Terminal:30A



Part Number	D1(mm)	D2(mm)	L(mm)	Wire
L-KLS1-XD45-T	3.8±0.20	2.54±0.20	16.50±0.20	12/16AWG

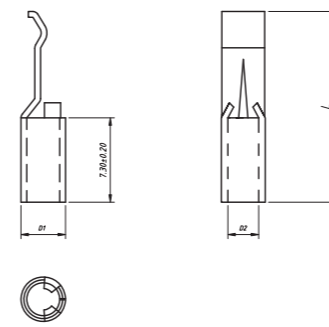
Part Number	Housing Color	Part Number	Housing Color
L-KLS1-XD45-H-R	• Red	L-KLS1-XD45-H-G	• Green
L-KLS1-XD45-H-B	• Black	L-KLS1-XD45-H-W	○ White
L-KLS1-XD45-H-L	• Blue	L-KLS1-XD45-H-Y	• Yellow
L-KLS1-XD45-H-OR	• Orange	L-KLS1-XD45-H-GY	• Grey
L-KLS1-XD45-H-BR	• Brown	L-KLS1-XD45-H-PI	• Pink
L-KLS1-XD45-H-PU	• Purple		

## Product Selection

### Power Connector XD15-45A Series:15-45A 600V

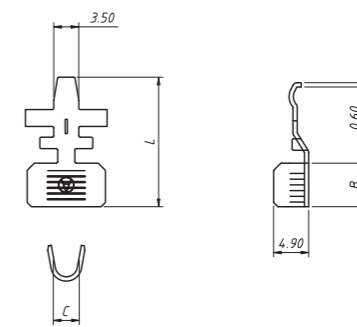
Current	Rated Voltage	Terminal		
		Material	Dia/mm	Wire
XD 15-45A	600V	Copper With Silver Plating	T1:2.85/1.78/16.5 T1A:17.5/6.10/3.12 T3A:17.5/6.10/3.12	T:12/16AWG T1:16/20AWG T1A/T3A:10/12AWG

Terminal:15A



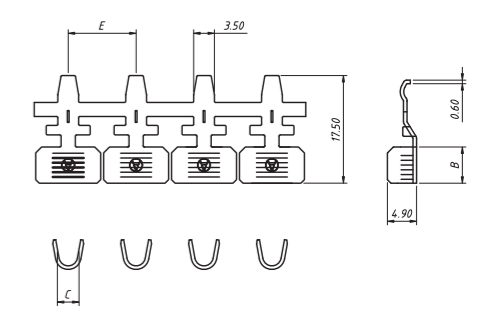
Part Number	L-KLS1-XD45-T1
D1(mm)	2.85±0.20
D2(mm)	1.78±0.20
L(mm)	16.50±0.20
Wire	16/20AWG

Terminal:45A



Part Number	L-KLS1-XD45-T1A
L(mm)	17.5±0.20
B(mm)	6.10±0.20
C(mm)	3.12±0.20
Wire	10/12AWG

Connecting terminal:45A



Part Number	L-KLS1-XD45-T3A
E(mm)	11.5±0.20
B(mm)	6.10±0.20
C(mm)	3.12±0.20
Wire	10/12AWG

# XD120A POWER CONNECTOR



# XD180A POWER CONNECTOR

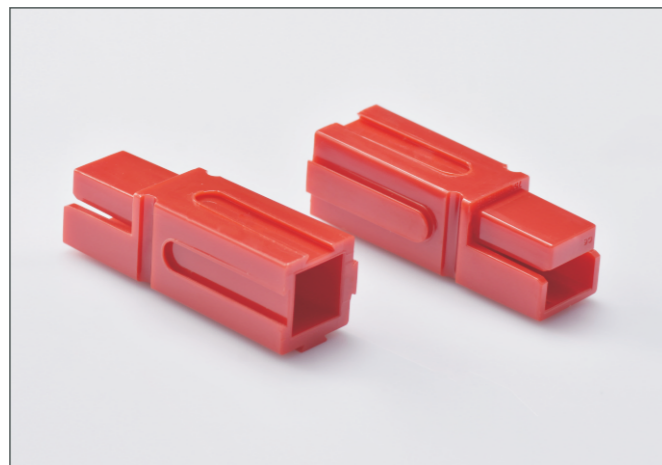


## Product Selection

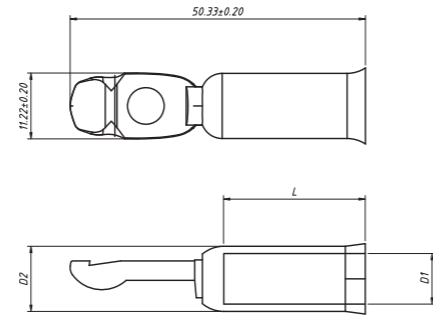
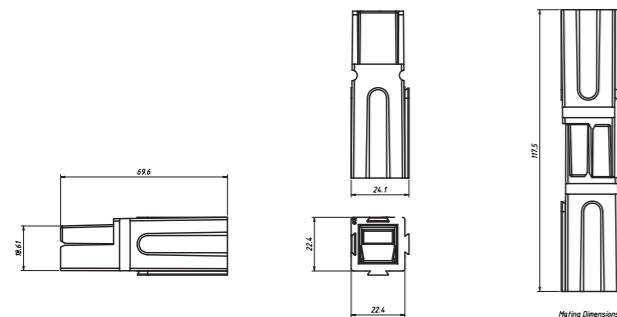
### Power Connector XD120A Series:120A 600V

Current	Rated Voltage	Housing		Terminal		
		Material	Housing Color	Material	Dia./mm	wire
XD120A	600V	PC UL94V-0	1pin-Blue, black, white, red, green.	Copper With Silver Plating	T:8.70/11.0/25.0 T1:7.6/11.0/25.0 T2:5.6/11.0/25.0	2AWG 4AWG 6AWG

Housing:1 Pole



Terminal:120A



Part Number	Housing Color	Part Number	Housing Color
L-KLS1-XD120-H-L	• Blue	L-KLS1-XD120-H-B	• Black
L-KLS1-XD120-H-W	○ White	L-KLS1-XD120-H-R	• Red
L-KLS1-XD120-H-G	• Green		

Part Number	D1(mm)	D2(mm)	L(mm)	Wire
L-KLS1-XT120-T	8.70±0.20	11.00±0.20	25.00±0.20	2AWG
L-KLS1-XT120-T1	7.60±0.20	11.00±0.20	25.00±0.20	4AWG
L-KLS1-XT120-T2	5.60±0.20	11.00±0.20	25.00±0.20	6AWG



## Product Selection

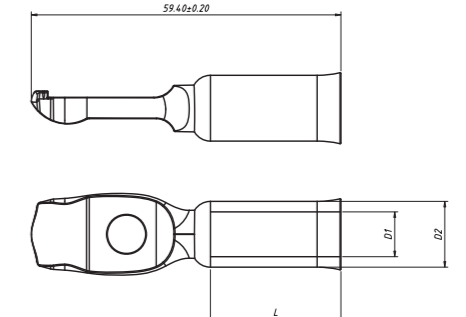
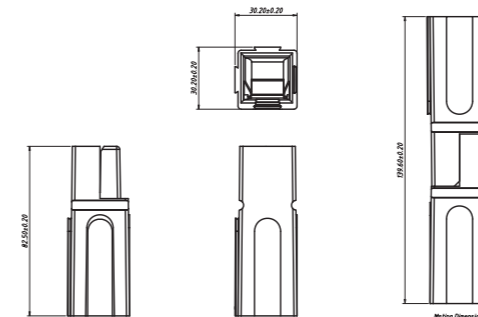
### Power Connector XD180A Series:180A 600V

Current	Rated Voltage	Housing		Terminal		
		Material	Housing Color	Material	Dia./mm	wire
XD180A	600V	PC UL94V-0	1pin-Red, green, black, white, blue.	Copper With Silver Plating	TA:11.2/13.1/26.5 T1A:8.9/13.1/26.5 T2A:7.6/13.1/26.5	0/1AWG 2AWG 4AWG

Housing :1 Pole



Terminal:175/180A



Part Number	Housing Color	Part Number	Housing Color
L-KLS1-XD180-H-R	• Red	L-KLS1-XD180-H-G	• Green
L-KLS1-XD180-H-B	• Black	L-KLS1-XD180-H-W	○ White
L-KLS1-XD180-H-L	• Blue		

Part Number	D1(mm)	D2(mm)	L(mm)	Wire
L-KLS1-XT175-TA	11.2±0.20	13.10±0.20	26.5±0.20	0/1AWG
L-KLS1-XT175-T1A	8.9±0.20	13.10±0.20	26.5±0.20	2AWG
L-KLS1-XT175-T2A	7.6±0.20	13.10±0.20	26.5±0.20	4AWG

# XT30A POWER CONNECTOR



# XT40A POWER CONNECTOR



## Product Selection

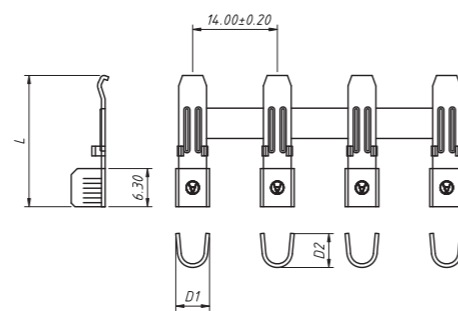
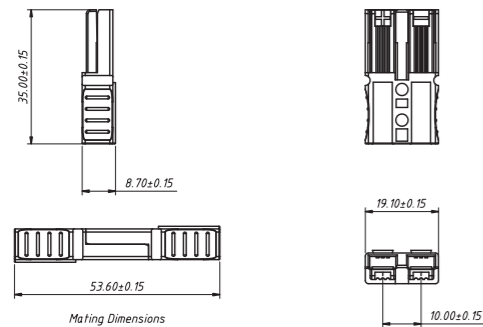
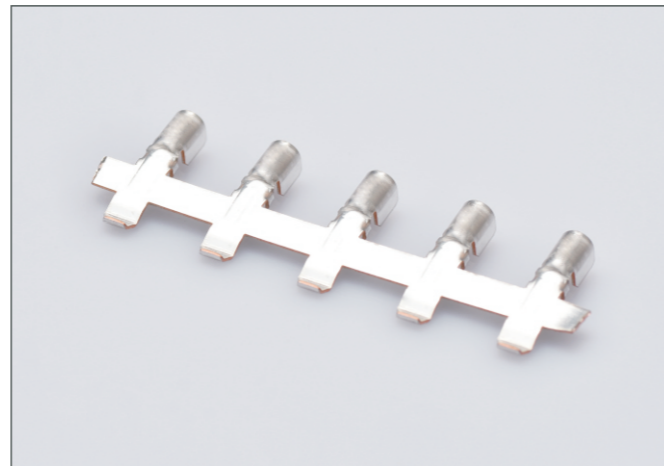
### Power Connector XT 30A Series:30A 600V

Current	Rated Voltage	Housing		Terminal		
		Material	Housing Color	Material	Dia./mm	wire
XT30A	600V	PC UL94V-0	2pin-Red, green, black, white, blue, yellow, orange, grey, brown, pink, purple.	Copper With Silver Plating	5.57/5.6/21.7	10AWG

Housing :2 Pole



Terminal:30A



Part Number	Housing Color	Part Number	Housing Color
L-KLS1-XT30-H-R	• Red	L-KLS1-XT30-H-G	• Green
L-KLS1-XT30-H-B	• Black	L-KLS1-XT30-H-W	○ White
L-KLS1-XT30-H-L	• Blue	L-KLS1-XT30-H-Y	• Yellow
L-KLS1-XT30-H-OR	• Orange	L-KLS1-XT30-H-GY	• Grey
L-KLS1-XT30-H-BR	• Brown	L-KLS1-XT30-H-PI	• Pink
L-KLS1-XT30-H-PU	• Purple		

Part Number	D1(mm)	D2(mm)	L(mm)	Wire
L-KLS1-XT30-T	5.57±0.50	5.6±0.50	21.7±0.20	10AWG



## Product Selection

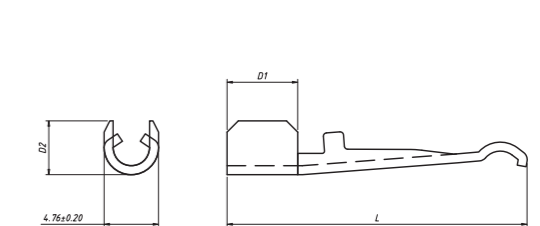
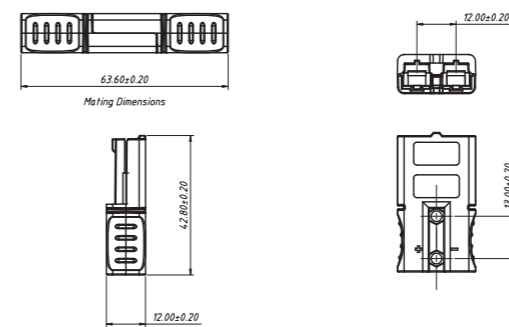
### Power Connector XT 40A Series:40A 600V

Current	Rated Voltage	Housing		Terminal		
		Material	Housing Color	Material	Dia./mm	wire
XT40A	600V	PC UL94V-0	2pin-Red, green, black, blue, yellow, orange, grey	Copper With Silver Plating	T:6.4/3.9/26.9 T1:6.4/4.6/26.9 T2:6.4/5.1/26.9	16/20AWG 12/16AWG 10/14AWG

Housing:2 Pole



Terminal:40A



Part Number	Housing Color	Part Number	Housing Color
L-KLS1-XT40-H-R	• Red	L-KLS1-XT40-H-G	• Green
L-KLS1-XT40-H-B	• Black	L-KLS1-XT40-H-L	• Blue
L-KLS1-XT40-H-OR	• Orange	L-KLS1-XT40-H-Y	• Yellow
L-KLS1-XT40-H-GY	• Grey		

Part Number	D1(mm)	D2(mm)	L(mm)	Wire
L-KLS1-XT40-T	6.4±0.20	3.9±0.20	26.9±0.20	16/20AWG
L-KLS1-XT40-T1	6.4±0.20	4.6±0.20	26.9±0.20	12/16AWG
L-KLS1-XT40-T2	6.4±0.20	5.1±0.20	26.9±0.20	10/14AWG

# XT50A POWER CONNECTOR



# XT50A POWER CONNECTOR

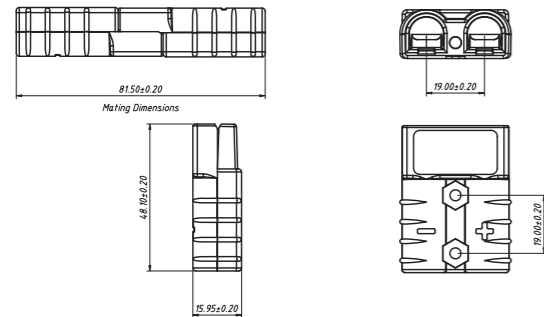


## Product Selection

### ■ Power Connector XT 50A Series:50A 600V

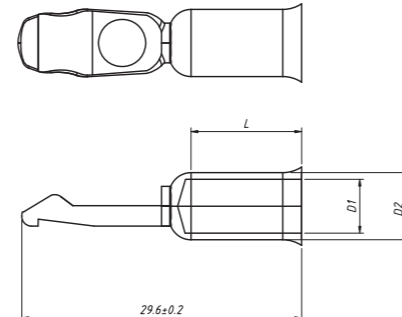
Current	Rated Voltage	Housing		Terminal		
		Material	Housing Color	Material	Dia./mm	wire
XT50A	600V	PC UL94V-0	2pin-Red, green, black, yellow, blue, orange, grey.	Copper With Silver Plating	T2:3.7/7.0/12.0 T:4.7/7.0/12.0 T1:5.6/7.0/12.0	10/12AWG 8AWG 6AWG

### Housing :2 Pole



Part Number	Housing Color	Part Number	Housing Color
L-KLS1-XT27-H-R	● Red	L-KLS1-XT27-H-G	● Green
L-KLS1-XT27-H-B	● Black	L-KLS1-XT27-H-Y	● Yellow
L-KLS1-XT27-H-L	● Blue	L-KLS1-XT27-H-OR	● Orange
L-KLS1-XT27-H-GY	● Grey		

### Terminal:50A



Part Number	D1(mm)	D2(mm)	L(mm)	Wire
L-KLS1-XT27-T2	3.7±0.20	7.0±0.20	12.0±0.20	10/12AWG
L-KLS1-XT27-T	4.7±0.20	7.0±0.20	12.0±0.20	8AWG
L-KLS1-XT27-T1	5.6±0.20	7.0±0.20	12.0±0.20	6AWG

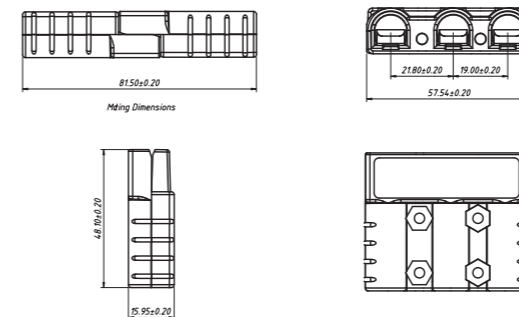


## Product Selection

### ■ Power Connector XT 50A Series:50A 600V

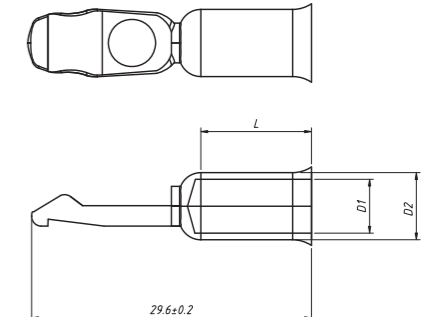
Current	Rated Voltage	Housing		Terminal		
		Material	Housing Color	Material	Dia./mm	wire
XT50A	600V	PC UL94V-0	3pin-Red, green, black, yellow, blue, orange, grey.	Copper With Silver Plating	T2:3.7/7.0/12.0 T:4.7/7.0/12.0 T1:5.6/7.0/12.0	10/12AWG 8AWG 6AWG

### Housing :3 Pole



Part Number	Housing Color	Part Number	Housing Color
L-KLS1-XT27D-H-R	● Red	L-KLS1-XT27D-H-G	● Green
L-KLS1-XT27D-H-B	● Black	L-KLS1-XT27D-H-Y	● Yellow
L-KLS1-XT27D-H-L	● Blue	L-KLS1-XT27D-H-OR	● Orange
L-KLS1-XT27D-H-GY	● Grey		

### Terminal:50A



Part Number	D1(mm)	D2(mm)	L(mm)	Wire
L-KLS1-XT27-T2	3.7±0.20	7.0±0.20	12.0±0.20	10/12AWG
L-KLS1-XT27-T	4.7±0.20	7.0±0.20	12.0±0.20	8AWG
L-KLS1-XT27-T1	5.6±0.20	7.0±0.20	12.0±0.20	6AWG

# XT75A POWER CONNECTOR



# XT75A POWER CONNECTOR

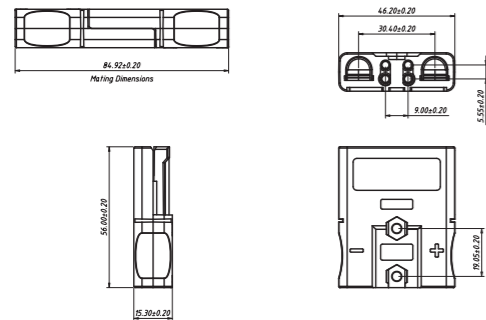


## Product Selection

### ■ Power Connector XT 75A Series:75A 600V

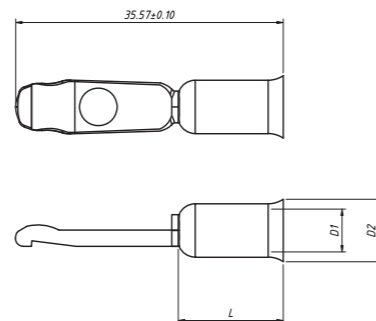
Current	Rated Voltage	Housing		Terminal		
		Material	Housing Color	Material	Dia./mm	wire
XT75A	600V	PC UL94V-0	2pin-Black, blue, brown, white.	Copper With Silver Plating	T1:5.6/7.0/12.0 T2:4.8/7.0/12.0 T3:3.9/7.0/12.0	6AWG 8AWG 10~12AWG

### Housing :2 Pole



Part Number	Housing Color	Part Number	Housing Color
L-KLS1-XT28-H-B	● Black	L-KLS1-XT28-H-L	● Blue
L-KLS1-XT28-H-BR	● Brown	L-KLS1-XT28-H-W	○ White

### Terminal:75A



Part Number	D1(mm)	D2(mm)	L(mm)	Wire
L-KLS1-XT28-T1	5.6±0.20	7.0±0.20	12.0±0.20	6AWG
L-KLS1-XT28-T2	4.8±0.20	7.0±0.20	12.0±0.20	8AWG
L-KLS1-XT28-T3	3.9±0.20	7.0±0.20	12.0±0.20	10~12AWG

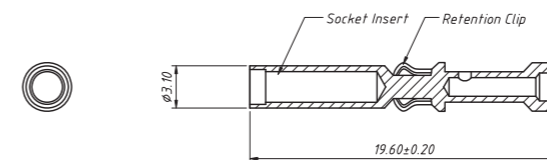


## Product Selection

### ■ Power Connector XT 75A Series:75A 600V

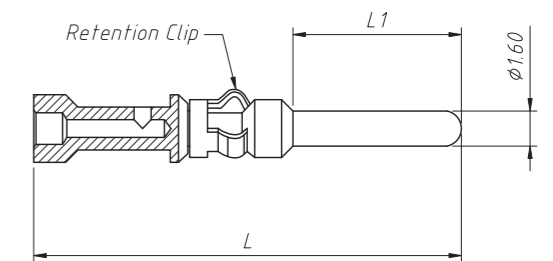
Current	Rated Voltage	Female pin		Male pin	
		Material	Dia./mm	Material	Dia./mm
XT75A	600V	Brass,bright tin over nickel	L: 19.60 φ: 3.10	Red Copper	MST01:19.6/7.7/7.7

### Female Pin



Part Number	
L-KLS1-XT28-FST01	
Contact Body	Brass,bright Tin Over Nickel
Socket Insert	BeCu,gold Over Nickel
Retention Clip	Stainless Steel

### Male pin:75A



Part Number	L(mm)	L1(mm)	Auxiliary Pin Contact Lengths
L-KLS1-XT28-MST01	19.6±0.20	7.7±0.20	Standard length 7.7mm



# XT75A POWER CONNECTOR



# XT75A POWER CONNECTOR

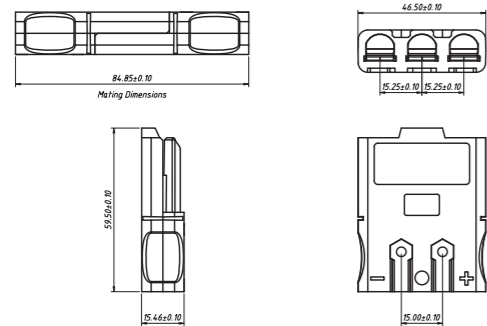


## Product Selection

### ■ Power Connector XT 75A Series:75A 600V

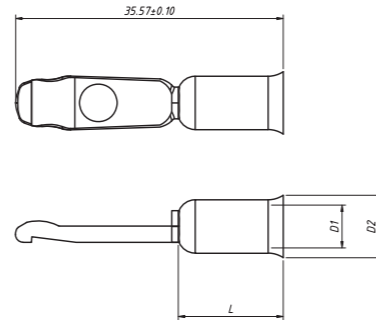
Current	Rated Voltage	Housing		Terminal		
		Material	Housing Color	Material	Dia./mm	wire
XT75A	600V	PC UL94V-0	3pin-Black, blue, brown, white.	Copper With Silver Plating	T1:5.6/7.0/12.0 T2:4.8/7.0/12.0 T3:3.9/7.0/12.0	6AWG 8AWG 10~12AWG

### Housing :3 Pole



Part Number	Housing Color	Part Number	Housing Color
L-KLS1-XT28D-H-B	● Black	L-KLS1-XT28D-H-L	● Blue
L-KLS1-XT28D-H-BR	● Brown	L-KLS1-XT28D-H-W	○ White

### Terminal:75A



Part Number	D1(mm)	D2(mm)	L(mm)	Wire
L-KLS1-XT28-T1	5.6±0.20	7.0±0.20	12.0±0.20	6AWG
L-KLS1-XT28-T2	4.8±0.20	7.0±0.20	12.0±0.20	8AWG
L-KLS1-XT28-T3	3.9±0.20	7.0±0.20	12.0±0.20	10~12AWG

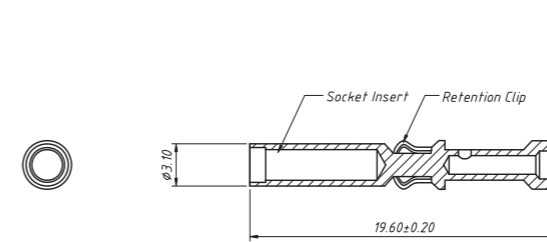


## Product Selection

### ■ Power Connector XT 75A Series:75A 600V

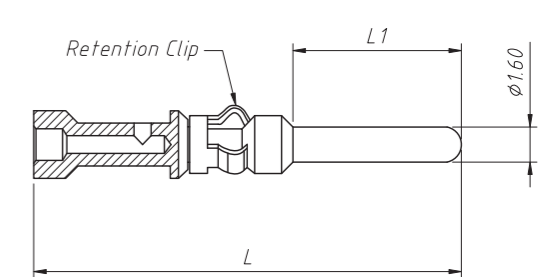
Current	Rated Voltage	Female pin		Male pin	
		Material	Dia./mm	Material	Dia./mm
XT75A	600V	Brass,bright tin over nickel	L: 19.60 φ: 3.10	Red Copper	MST01:19.6/7.7/7.7

### Female Pin



Part Number	L-KLS1-XT28-FST01
Contact Body	Brass,bright Tin Over Nickel
Socket Insert	BeCu,gold Over Nickel
Retention Clip	Stainless Steel

### Male pin:75A



Part Number	L(mm)	L1(mm)	Auxiliary Pin Contact Lengths
L-KLS1-XT28-MST01	19.6±0.20	7.7±0.20	Standard length 7.7mm

# XT120A POWER CONNECTOR



# XT175A POWER CONNECTOR

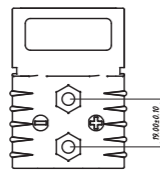
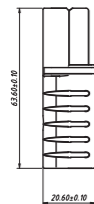
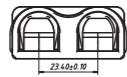
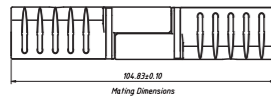


## Product Selection

### ■ Power Connector XT120A Series:120A 600V

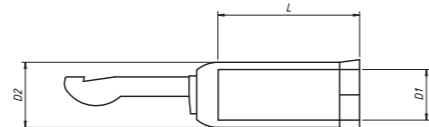
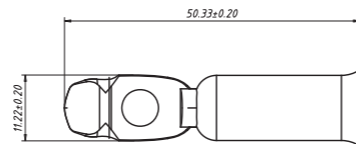
Current	Rated Voltage	Housing		Terminal		
		Material	Housing Color	Material	Dia./mm	wire
XT120A	600V	PC UL94V-0	2pin-Red, blue, grey.	Copper With Silver Plating	T:8.70/11.0/25.0 T1:7.6/11.0/25.0 T2:5.6/11.0/25.0	2AWG 4AWG 6AWG

#### Housing :2 Pole



Part Number	Housing Color	Part Number	Housing Color
L-KLS1-XT120-H-R	● Red	L-KLS1-XT120-H-GY	● Grey
L-KLS1-XT120-H-L	● Blue		

#### Terminal:120A



Part Number	D1(mm)	D2(mm)	L(mm)	Wire
L-KLS1-XT120-T	8.70±0.20	11.00±0.20	25.00±0.20	2AWG
L-KLS1-XT120-T1	7.60±0.20	11.00±0.20	25.00±0.20	4AWG
L-KLS1-XT120-T2	5.60±0.20	11.00±0.20	25.00±0.20	6AWG

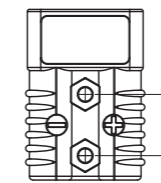
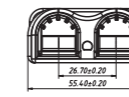
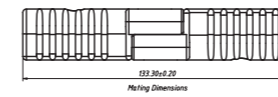


## Product Selection

### ■ Power Connector XT175A Series:175A 600V

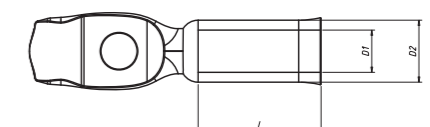
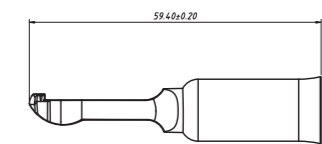
Current	Rated Voltage	Housing		Terminal		
		Material	Housing Color	Material	Dia./mm	wire
XT175A	600V	PC UL94V-0	2pin-Grey, blue, orange, yellow,red.	Copper With Silver Plating	TA:11.2/13.1/26.5 T1A:8.9/13.1/26.5 T2A:7.6/13.1/26.5	0/1AWG 2AWG 4AWG

#### Housing : 2 Pole



Part Number	Housing Color	Part Number	Housing Color
L-KLS1-XT175-H-R	● Red	L-KLS1-XT175-H-GY	● Grey
L-KLS1-XT175-H-OR	● Orange	L-KLS1-XT175-H-L	● Blue
L-KLS1-XT175-H-Y	● Yellow		

#### Terminal:175A



Part Number	D1(mm)	D2(mm)	L(mm)	Wire
L-KLS1-XT175-TA	11.2±0.20	13.1±0.20	26.5±0.20	0/1AWG
L-KLS1-XT175-T1A	8.9±0.20	13.1±0.20	26.5±0.20	2AWG
L-KLS1-XT175-T2A	7.6±0.20	13.1±0.20	26.5±0.20	4AWG

# XT175A POWER CONNECTOR



# XT350A POWER CONNECTOR



## Product Selection

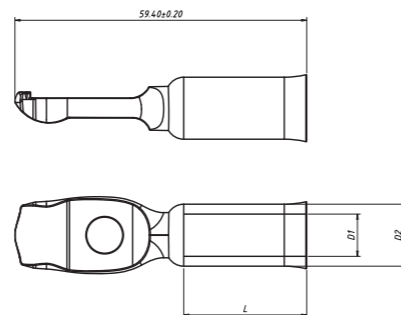
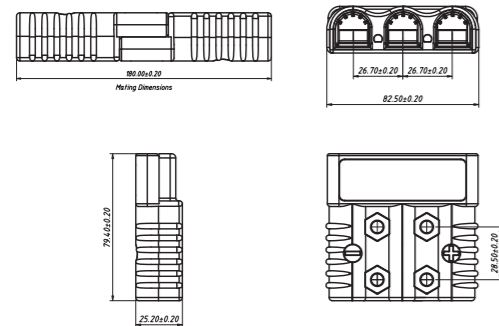
### Power Connector XT175A Series:175A 600V

Current	Rated Voltage	Housing		Terminal		
		Material	Housing Color	Material	Dia./mm	wire
XT175A	600V	PC UL94V-0	3pin-Grey, blue, orange, yellow,red.	Copper With Silver Plating	TA:11.2/13.1/26.5 T1A:8.9/13.1/26.5 T2A:7.6/13.1/26.5	0/1AWG 2AWG 4AWG

Housing: 3 Pole



Terminal:175A



Part Number	Housing Color	Part Number	Housing Color
L-KLS1-XT175D-H-R	Red	L-KLS1-XT175D-H-GY	Grey
L-KLS1-XT175D-H-OR	Orange	L-KLS1-XT175D-H-L	Blue
L-KLS1-XT175D-H-Y	Yellow		

Part Number	D1(mm)	D2(mm)	L(mm)	Wire
L-KLS1-XT175-TA	11.2±0.20	13.1±0.20	26.5±0.20	0/1AWG
L-KLS1-XT175-T1A	8.9±0.20	13.1±0.20	26.5±0.20	2AWG
L-KLS1-XT175-T2A	7.6±0.20	13.1±0.20	26.5±0.20	4AWG



## Product Selection

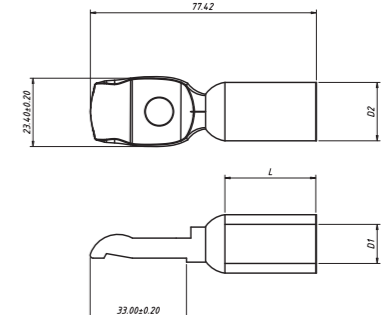
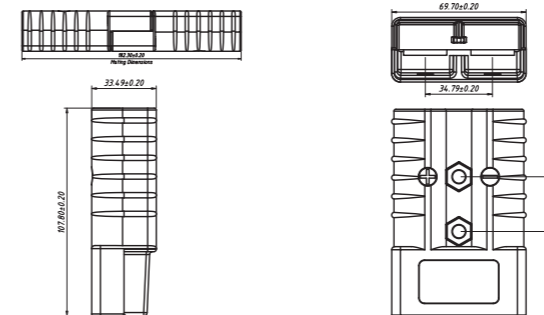
### Power Connector XT350A Series:350A 600V

Current	Rated Voltage	Housing		Terminal		
		Material	Housing Color	Material	Dia./mm	wire
XT350A	600V	PC UL94V-0	2pin-Grey, blue, black, red.	Copper With Silver Plating	T:16.26/19.05/32.8 T1:14.73/17.78/32.8 T2:12.45/16.26/32.8 T3:11.18/12.95/32.8	0/4AWG 0/3AWG 0/2AWG 0/1AWG

Housing : 2 pole



Terminal:350A



Part Number	Housing Color	Part Number	Housing Color
L-KLS1-XT350-H-R	Red	L-KLS1-XT350-H-GY	Grey
L-KLS1-XT350-H-L	Blue	L-KLS1-XT350-H-B	Black

Part Number	D1(mm)	D2(mm)	L(mm)	Wire
L-KLS1-XT350-T	16.26±0.20	19.05±0.20	32.8±0.20	0/4AWG
L-KLS1-XT350-T1	14.73±0.20	17.78±0.20	32.8±0.20	0/3AWG
L-KLS1-XT350-T2	12.45±0.20	16.26±0.20	32.8±0.20	0/2AWG
L-KLS1-XT350-T3	11.18±0.20	12.95±0.20	32.8±0.20	0/1AWG