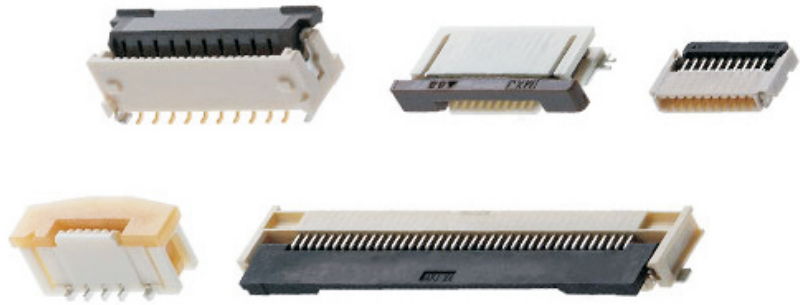




FFC/FPC Connectors and Cable Solutions

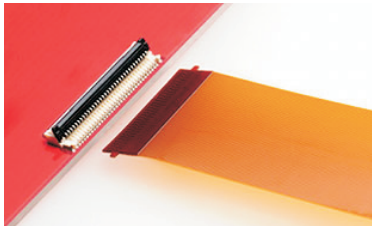
KLS's FFC(Flexible Flat Cable) / FPC(Flexible Printed Circuit) connectors with wide variety of product line-up offer the best combination of signal reliability, compactness, wide circuit size range and cable style choices of any similar version in the market.



Easy-On FFC FPC Connectors

Pitch to choose

| 0.30mm | 0.50mm | 0.80mm | 1.00mm | 1.25mm | 2.54mm | 3.00mm |
|------------|------------|-----------|------------|-----------|----------|----------|
| KLS1-244G | KLS1-242 | KLS1-241D | KLS1-240 | KLS1-220 | KLS1-219 | KLS1-XXX |
| KLS1-1244G | KLS1-242D | KLS1-241E | KLS1-240B | KLS1-220B | | |
| | KLS1-242G | KLS1-241F | KLS1-240C | KLS1-220C | | |
| | KLS1-242K | | KLS1-240F | KLS1-220D | | |
| | KLS1-1242E | | KLS1-240G | KLS1-220E | | |
| | KLS1-2242 | | KLS1-240M | KLS1-220F | | |
| | KLS1-3242 | | KLS1-240N | KLS1-220G | | |
| | | | KLS1-240Q | | | |
| | | | KLS1-240S | | | |
| | | | KLS1-242E | | | |
| | | | KLS1-1240 | | | |
| | | | KLS1-1240B | | | |
| | | | KLS1-1240D | | | |
| | | | KLS1-1240E | | | |
| | | | KLS1-1240G | | | |
| | | | KLS1-1240H | | | |
| | | | KLS1-1240K | | | |

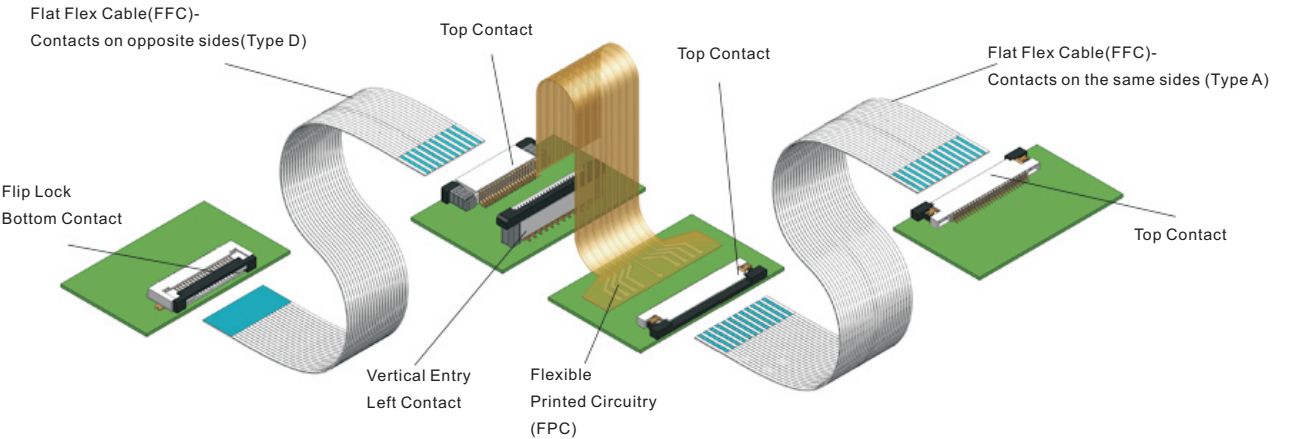


Easy-On FFC / FPC Connectors

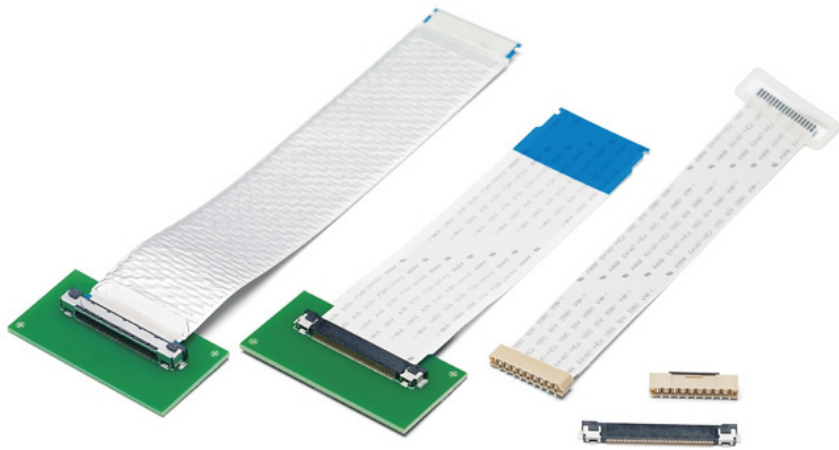
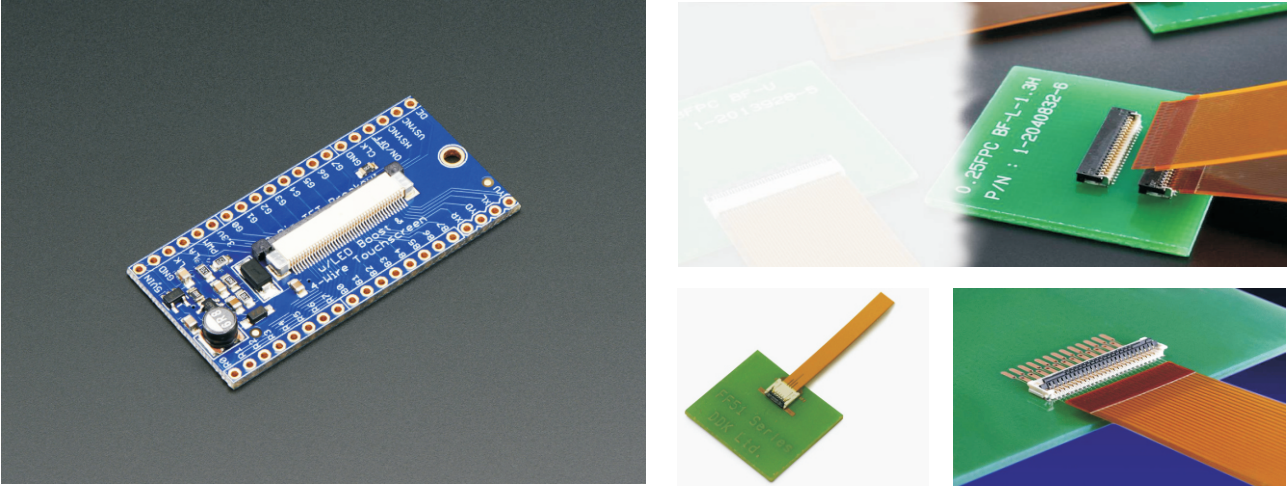
Ideal for tight-packaging applications, KLS line of FFC/FPC connectors come in various pitch options and include features to meet a wide variety of space and usage needs for applications in all markets.

[Learn More](#)

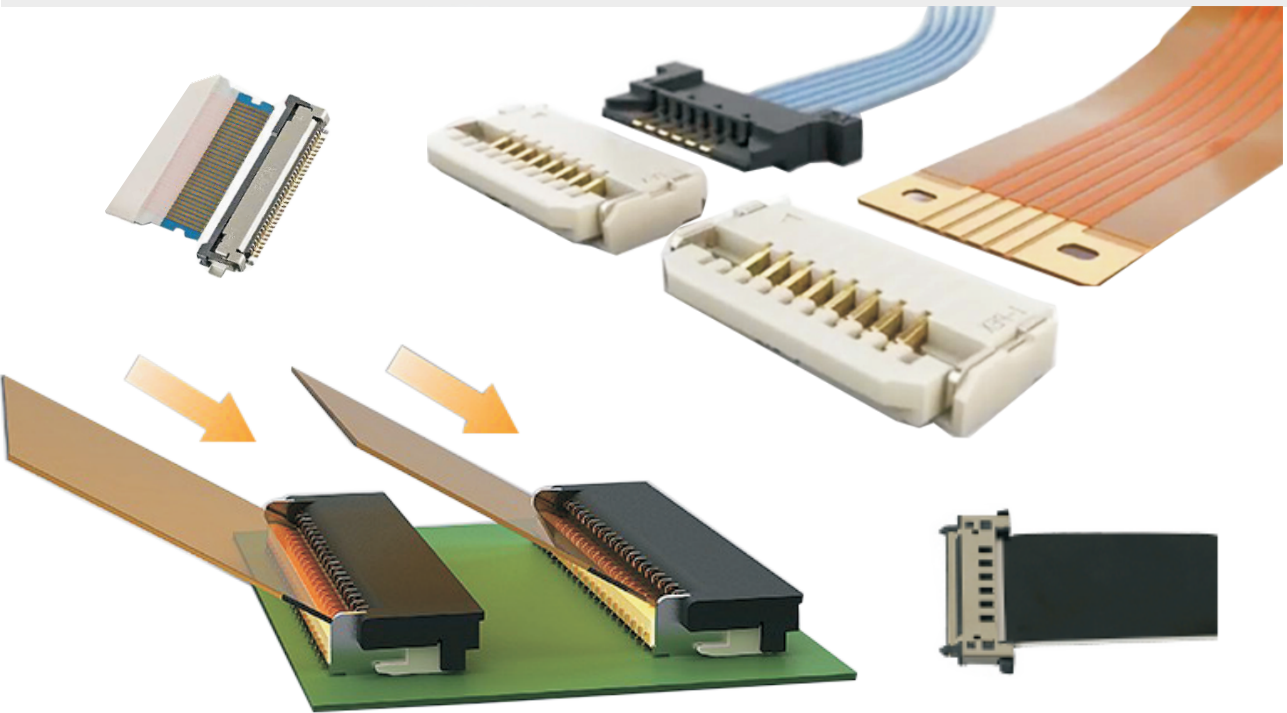
FFC/FPC Connector Types and Configurations



FFC/FPC Connectors and Cable Solutions

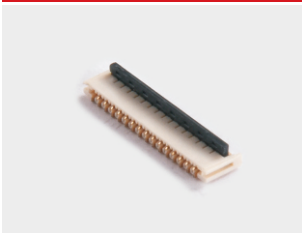


FFC/FPC Connectors application

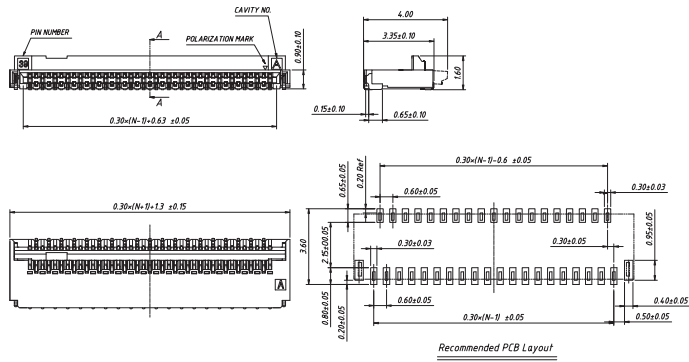


Electrical Characteristics:

Voltage rating: 30 V
 Current rating: 0.2 A
 Withstanding Voltage: 200 V
 Insulation resistance: 500MΩ.Min.
 Contact resistance: 20 mΩ.Max.

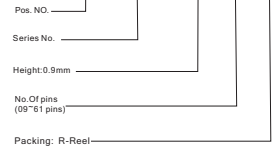


**CONN FFC 0.3mm,SMD,
Horizontal,with ZIF**

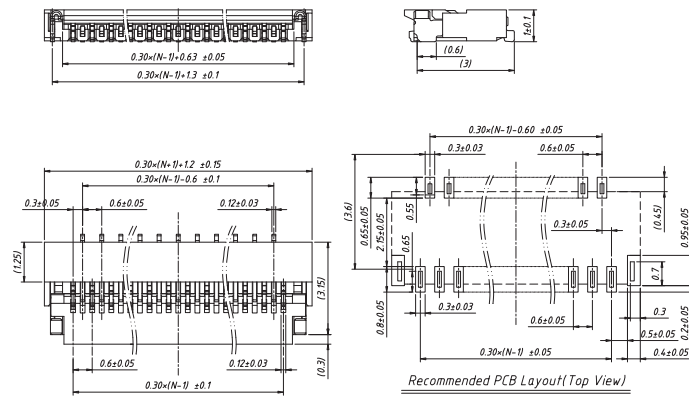


Order Information

L-KLS1-1244G-0.9-XX-R

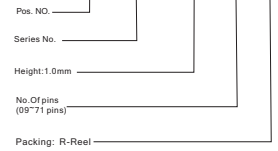


**CONN FFC 0.3mm,SMD,Horizontal,
Lower Contact , with ZIF**



Order Information

L-KLS1-244G-1.0-XX-R

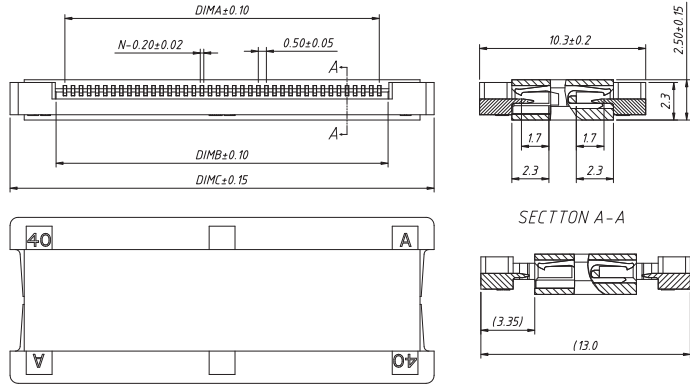


Electrical Characteristics:

Voltage rating: 50 V
 Current rating: 0.4 A
 Withstanding Voltage: 200 V
 Insulation resistance: 500MΩ.Min.
 Contact resistance: 20 mΩ.Max.
 Operating Temperature Range: -25°C ~ +85°C

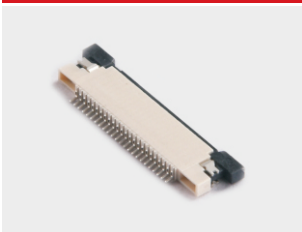
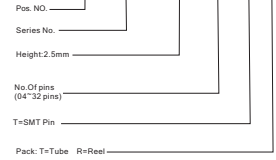


CONN FFC 0.50mm.,with ZIF

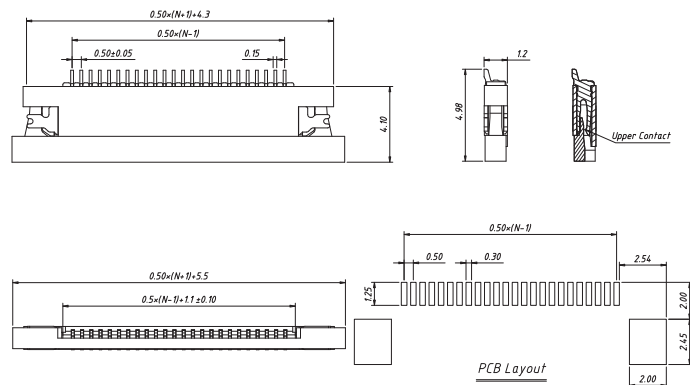


Order Information

L-KLS1-242M-2.5-XX-T-R

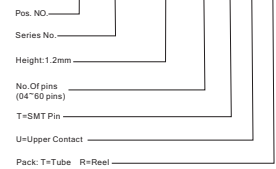


CONN FFC 0.50mm,SMD,Horizontal, Upper Contact ,with ZIF

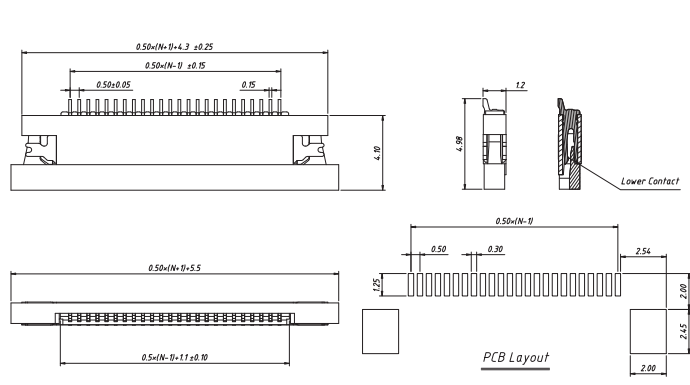


Order Information

L-KLS1-242D-1.2-XX-T-U-R

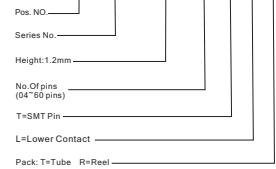


CONN FFC 0.50mm,SMD,Horizontal, Lower Contact , with ZIF

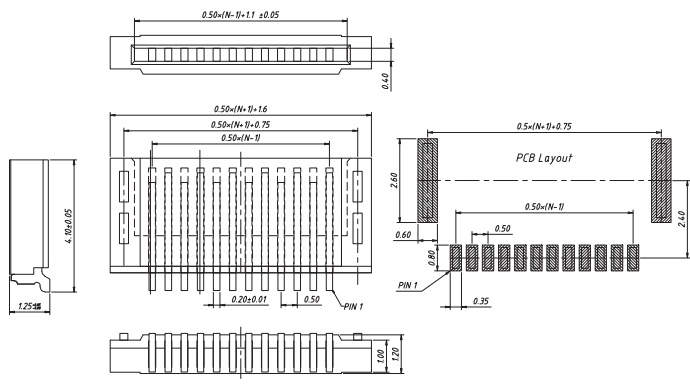


Order Information

L-KLS1-242D-1.2-XX-T-L-R

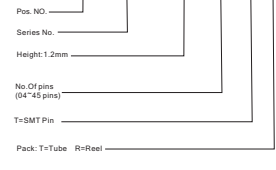


CONN FFC 0.50mm,SMD, Horizontal,with ZIF



Order Information

L-KLS1-3242A-1.2-XX-T-R

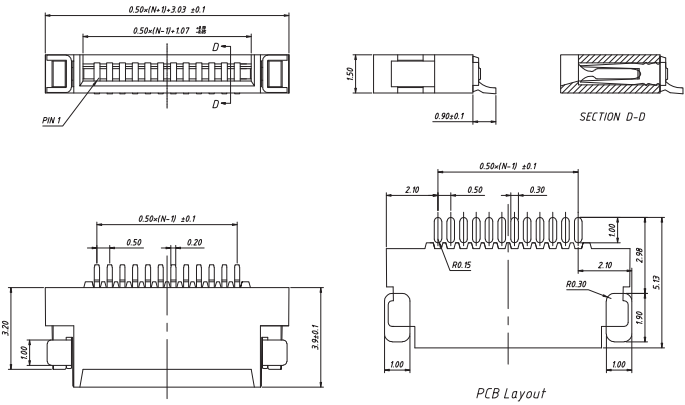


Electrical Characteristics:

Voltage rating: 50 V
Current rating: 0.4 A
Withstanding Voltage: 200 V
Insulation resistance: 500MΩ.Min.
Contact resistance: 20 mΩ.Max.



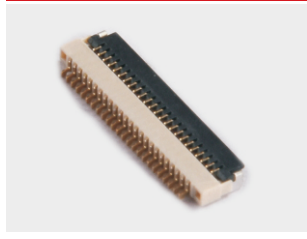
CONN FFC 0.50mm,SMD,
Horizontal,with ZIF



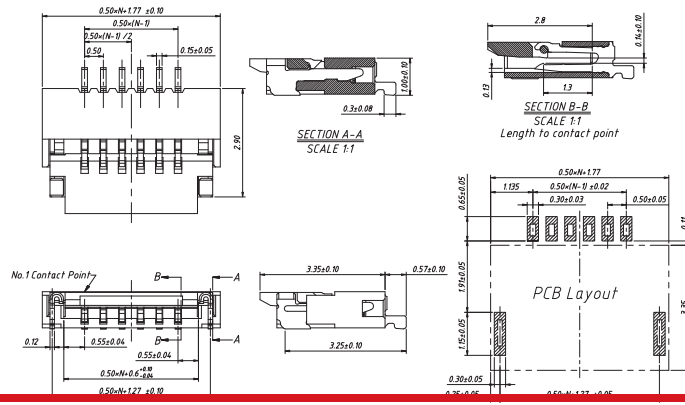
Order Information

L-KLS1-3242B-1.5-XX-T-R

Pos. NO. _____
Series No. _____
Height:1.5mm _____
No. Of pins (04~60 pins) _____
T=SMT Pin _____
Pack: T=Tube R=Reel _____



CONN FFC 0.50mm,SMD,Horizontal,
Lower Contact , with ZIF



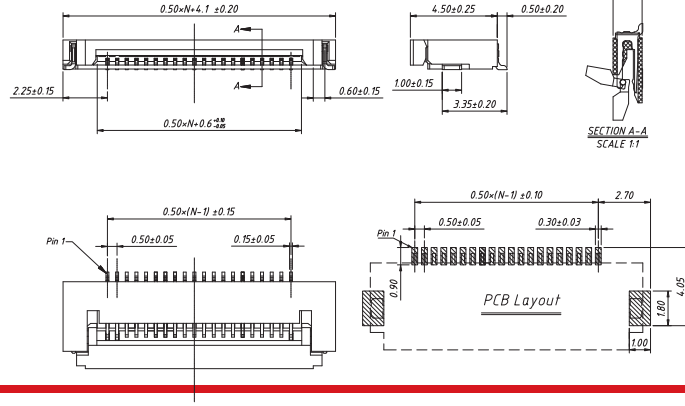
Order Information

L-KLS1-242G-1.0-XX-T-R

Pos. NO. _____
Series No. _____
Height:1.0mm _____
No. Of pins (04~50 pins) _____
T=SMT Pin _____
Pack: R=Reel _____



CONN FFC 0.50mm,SMD,Horizontal,
Lower Contact , with ZIF



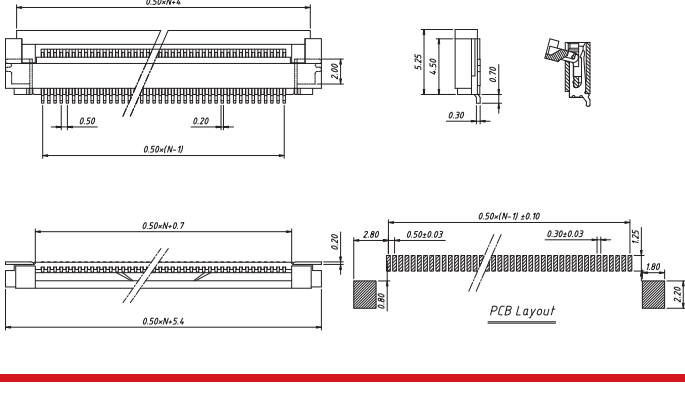
Order Information

L-KLS1-242G-1.5-XX-T-R

Pos. NO. _____
Series No. _____
Height:1.5mm _____
No. Of pins (04~60 pins) _____
T=SMT Pin _____
Pack: R=Reel _____



CONN FFC 0.50mm,SMD,Horizontal,
Lower Contact , with ZIF



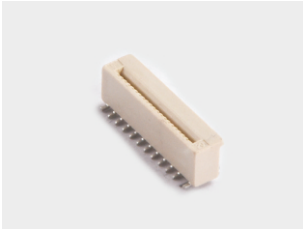
Order Information

L-KLS1-242G-2.0-XX-T-R

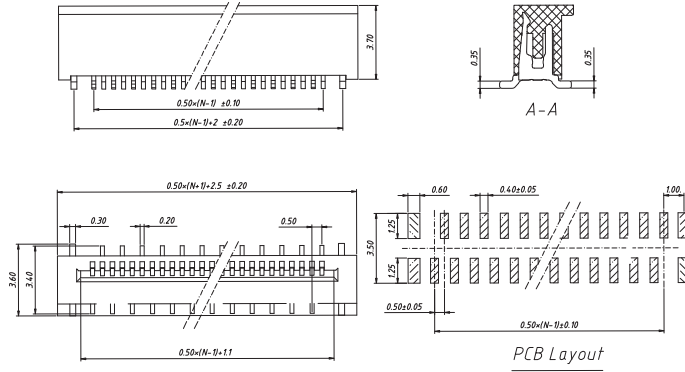
Pos. NO. _____
Series No. _____
Height:2.0mm _____
No. Of pins (04~60 pins) _____
T=SMT Pin _____
Pack: R=Reel _____

Electrical Characteristics:

Voltage rating: 50 V
 Current rating: 0.4 A
 Withstanding Voltage: 200 V
 Insulation resistance: 500MΩ.Min.
 Contact resistance: 20 mΩ.Max.



CONN FFC 0.50mm,SMD,Vertical



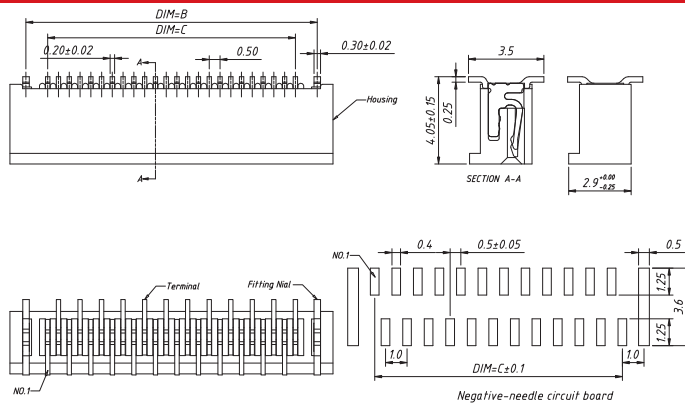
Order Information

L-KLS1-242K-3.7-XX-T-P-R

Pos. NO. _____
 Series No. _____
 Height:3.7mm _____
 No. Of pins (06°50 pins) _____
 T=SMT Pin _____
 P=Positive needle _____
 Pack: T=Tube R=Reel _____



CONN FFC 0.50mm,SMD,Vertical



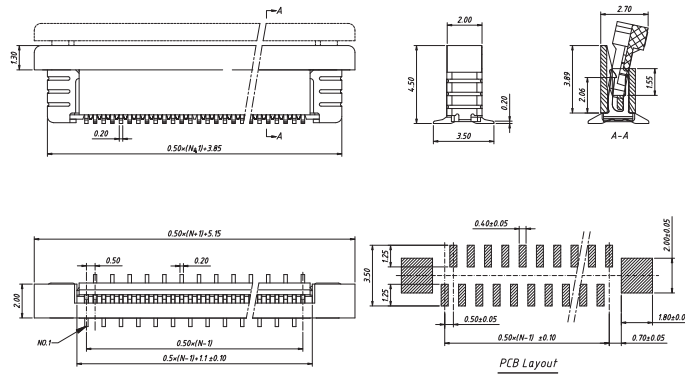
Order Information

L-KLS1-242K-3.7-XX-T-A-R

Pos. NO. _____
 Series No. _____
 Height:3.7mm _____
 No. Of pins (06°50 pins) _____
 T=SMT Pin _____
 A=Anti-needle _____
 Pack: T=Tube R=Reel _____



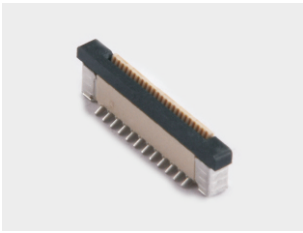
CONN FFC 0.50mm,SMD, Vertical,with ZIF



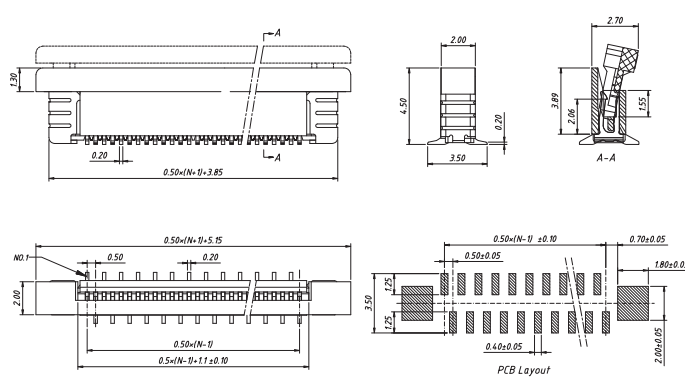
Order Information

L-KLS1-1242E-4.8-XX-LT-P-R

Pos. NO. _____
 Series No. _____
 Height:4.8mm _____
 No. Of pins (04°60 pins) _____
 LT=Vertical SMT Pin _____
 P=Positive needle _____
 Pack: T=Tube R=Reel _____



CONN FFC 0.50mm,SMD, Vertical,with ZIF



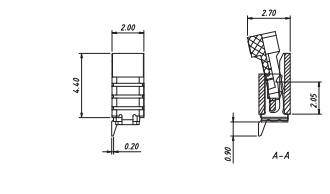
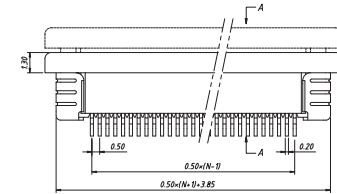
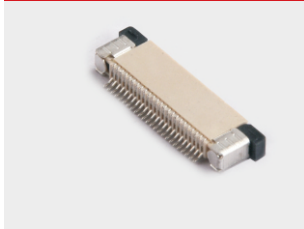
Order Information

L-KLS1-1242E-4.8-XX-LT-A-R

Pos. NO. _____
 Series No. _____
 Height:4.8mm _____
 No. Of pins (04°60 pins) _____
 LT=Vertical SMT Pin _____
 P=Positive needle _____
 Pack: T=Tube R=Reel _____

Electrical Characteristics:

Voltage rating: 50 V
 Current rating: 0.4 A
 Withstanding Voltage: 200 V
 Insulation resistance: 500MΩ.Min.
 Contact resistance: 20 mΩ.Max.

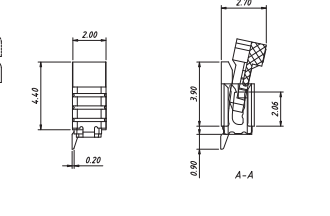
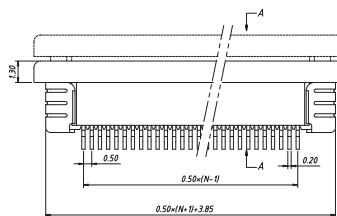
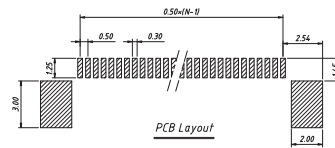
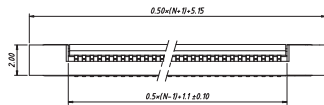


Order Information

L-KLS1-1242E-2.0-XX-T-U-R

Pos. NO. _____
 Series No. _____
 Height: 2.0mm _____
 No. Of pins (04*60 pins) _____
 T=SMT Pin _____
 U=Upper Contact _____
 Pack: T=Tube R=Reel _____

CONN FFC 0.50mm,SMD,Horizontal,
 Upper Contact ,with ZIF

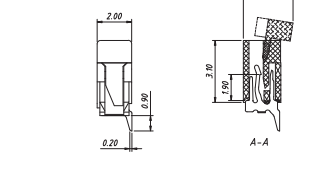
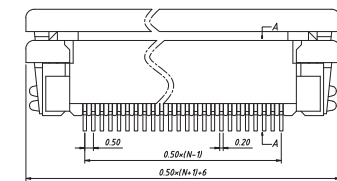
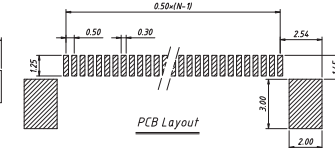
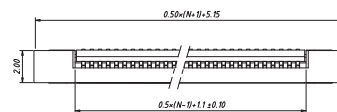


Order Information

L-KLS1-1242E-2.0-XX-T-L-R

Pos. NO. _____
 Series No. _____
 Height: 2.0mm _____
 No. Of pins (04*60 pins) _____
 T=SMT Pin _____
 L=Lower Contact _____
 Pack: T=Tube R=Reel _____

CONN FFC 0.50mm,SMD,Horizontal,
 Lower Contact , with ZIF

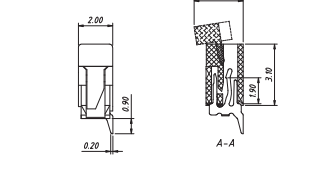
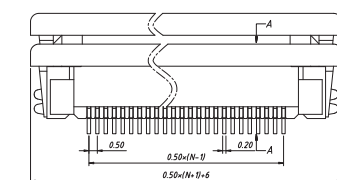
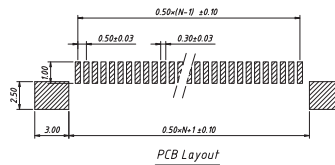
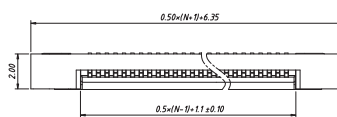


Order Information

L-KLS1-2242-2.0-XX-T-U-R

Pos. NO. _____
 Series No. _____
 Height: 2.0mm _____
 No. Of pins (04*60 pins) _____
 T=SMT Pin _____
 U=Upper Contact _____
 Pack: T=Tube R=Reel _____

CONN FFC 0.50mm,SMD,Horizontal,
 Upper Contact ,with ZIF

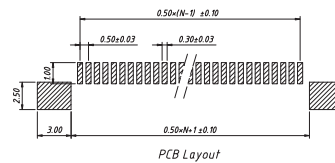
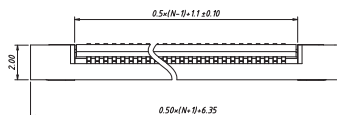


Order Information

L-KLS1-2242-2.0-XX-T-L-R

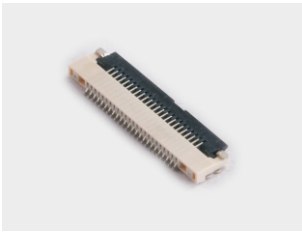
Pos. NO. _____
 Series No. _____
 Height: 2.0mm _____
 No. Of pins (04*60 pins) _____
 T=SMT Pin _____
 L=Lower Contact _____
 Pack: T=Tube R=Reel _____

CONN FFC 0.50mm,SMD,Horizontal,
 Lower Contact , with ZIF

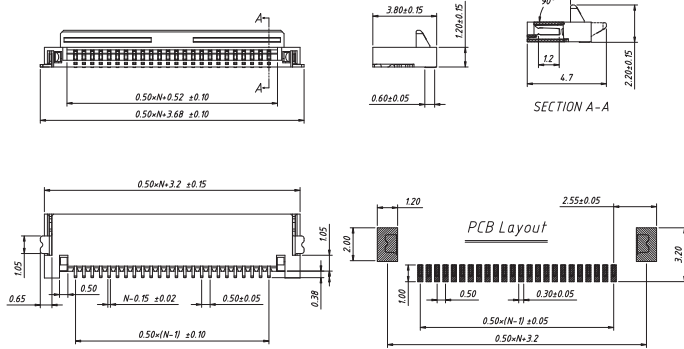


Electrical Characteristics:

Voltage rating: 50 V
 Current rating: 0.4 A
 Withstanding Voltage: 200 V
 Insulation resistance: 500MΩ.Min.
 Contact resistance: 20 mΩ.Max.



CONN FFC 0.50mm,SMD,Horizontal,
 Lower Contact , with ZIF



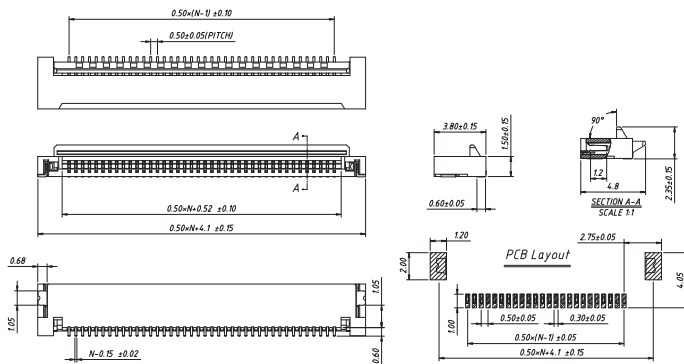
Order Information

L-KLS1-242X-1.2-XX-T-L-R

Pos. NO. _____
 Series No. _____
 Height: 1.2mm
 No. Of pins (94° 60 pins)
 T=SMT Pin
 L=Lower Contact
 Pack: T=Tube R=Reel



CONN FFC 0.50mm,SMD,Horizontal,
 Lower Contact , with ZIF



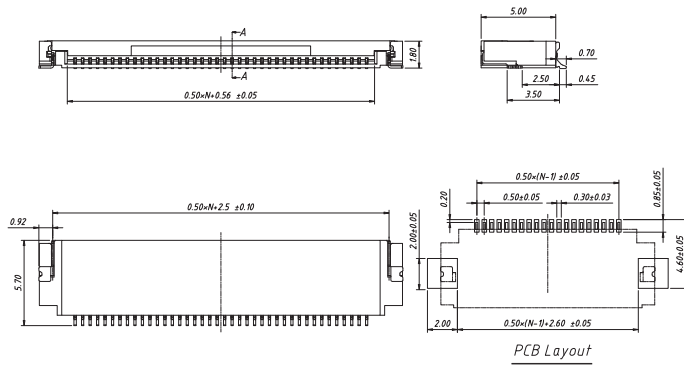
Order Information

L-KLS1-242N-1.5-XX-T-L-R

Pos. NO. _____
 Series No. _____
 Height: 1.5mm
 No. Of pins (94° 60 pins)
 T=SMT Pin
 L=Lower Contact
 Pack: T=Tube R=Reel



CONN FFC 0.50mm,SMD,Horizontal,
 Lower Contact , with ZIF



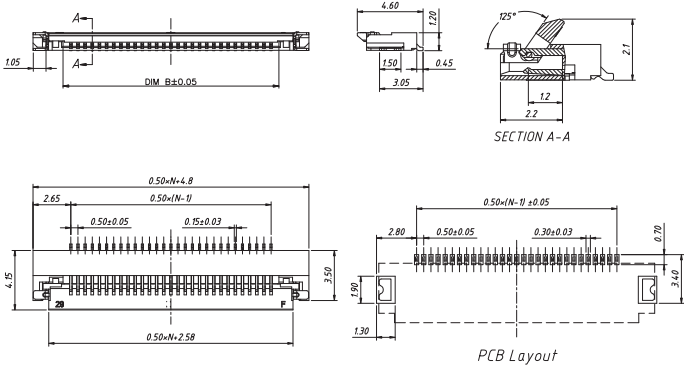
Order Information

L-KLS1-242T-1.8-XX-T-L-R

Pos. NO. _____
 Series No. _____
 Height: 1.8mm
 No. Of pins (10° 96 pins)
 T=SMT Pin
 L=Lower Contact
 Pack: T=Tube R=Reel



CONN FFC 0.50mm,SMD,Horizontal,
 Lower Contact , with ZIF



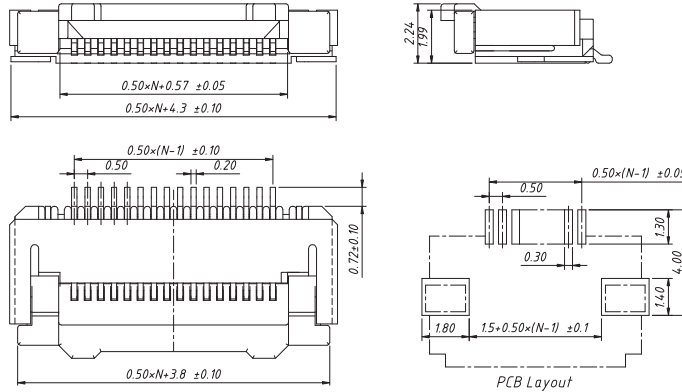
Order Information

L-KLS1-242S-1.2-XX-T-L-R

Pos. NO. _____
 Series No. _____
 Height: 1.2mm
 No. Of pins (94° 60 pins)
 T=SMT Pin
 L=Lower Contact
 Pack: T=Tube R=Reel

Electrical Characteristics:

Voltage rating: 50 V
 Current rating: 0.4 A
 Withstanding Voltage: 200 V
 Insulation resistance: 500MΩ.Min.
 Contact resistance: 20 mΩ.Max.

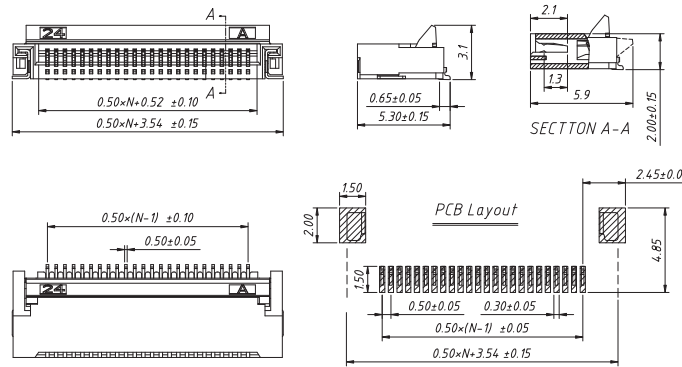


CONN FFC 0.50mm,SMD,Horizontal, Lower Contact , with ZIF

Order Information

L-KLS1-242H-2.0-XX-T-L-R

Pos. NO.
 Series No.
 Height:2.0mm
 No. Of pins (04°60 pins)
 T=SMT Pin
 L=Lower Contact
 Pack: R=Reel

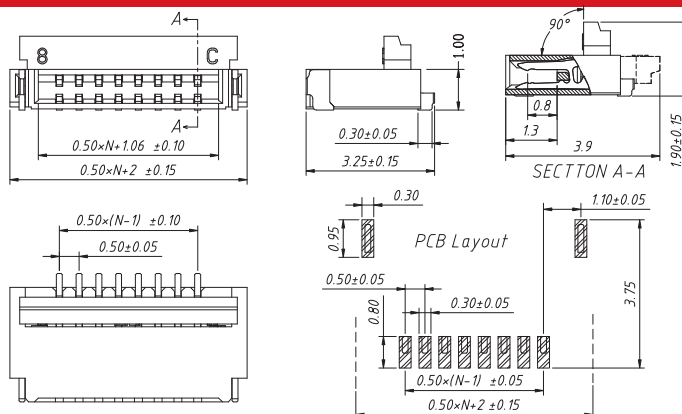


CONN FFC 0.50mm,SMD, Horizontal,with ZIF

Order Information

L-KLS1-242I-2.0-XX-T-R

Pos. NO.
 Series No.
 Height:2.0mm
 No. Of pins (04°60 pins)
 T=SMT Pin
 Pack: T=Tube R=Reel

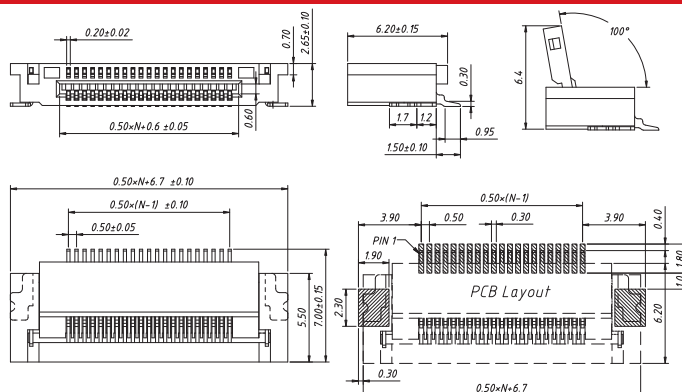
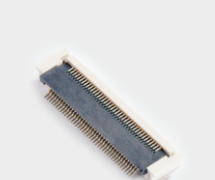


CONN FFC 0.50mm,SMD, Horizontal,with ZIF

Order Information

L-KLS1-242J-1.0-XX-T-R

Pos. NO.
 Series No.
 Height:1.0mm
 No. Of pins (04°60 pins)
 T=SMT Pin
 Pack: T=Tube R=Reel



CONN FFC 0.50mm,SMD, Horizontal,with ZIF

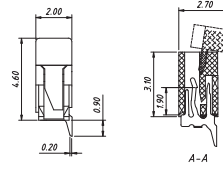
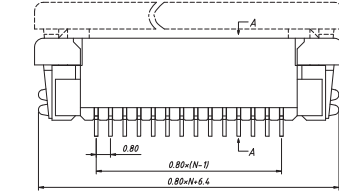
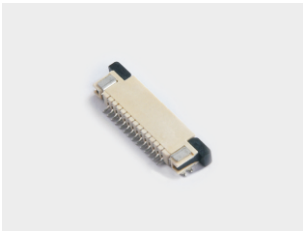
Order Information

L-KLS1-242Q-2.6-XX-T-R

Pos. NO.
 Series No.
 Height:2.6mm
 No. Of pins (04°61 pins)
 T=SMT Pin
 Pack: T=Tube R=Reel

Electrical Characteristics:

Voltage rating: 50 V
 Current rating: 0.4 A
 Withstanding Voltage: 200 V
 Insulation resistance: 500MΩ.Min.
 Contact resistance: 20 mΩ.Max.

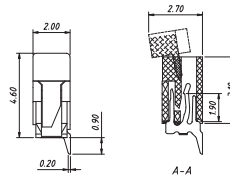
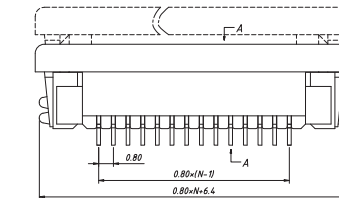
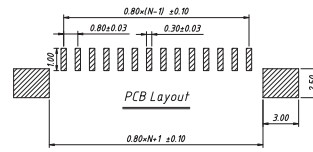
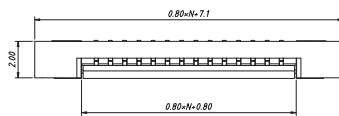


Order Information

L-KLS1-241D-XX-T-U-R

Pos. NO. _____
 Series No. _____
 No. Of pins (04~35 pins) _____
 T=SMT Pin _____
 U=Upper Contact _____
 Pack: R=Reel _____

CONN FFC 0.80mm,SMD,Horizontal,
 Upper Contact ,with ZIF

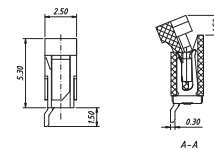
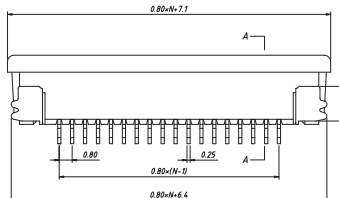
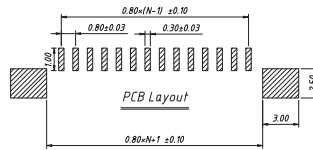
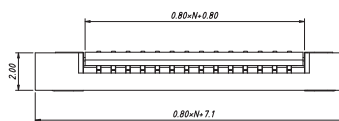


Order Information

L-KLS1-241D-XX-T-L-R

Pos. NO. _____
 Series No. _____
 No. Of pins (04~35 pins) _____
 T=SMT Pin _____
 L=Lower Contact _____
 Pack: R=Reel _____

CONN FFC 0.80mm,SMD,Horizontal,
 Lower Contact , with ZIF

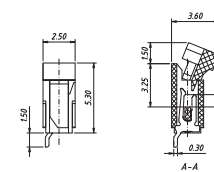
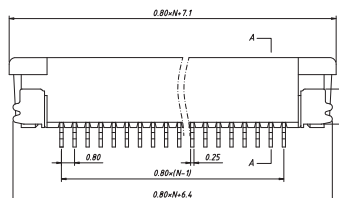
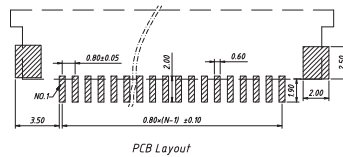
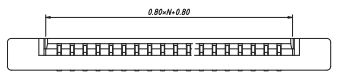


Order Information

L-KLS1-241E-XX-T-U-R

Pos. NO. _____
 Series No. _____
 No. Of pins (04~35 pins) _____
 T=SMT Pin _____
 U=Upper Contact _____
 Pack: R=Reel _____

CONN FFC 0.80mm,SMD,Horizontal,
 Upper Contact ,with ZIF

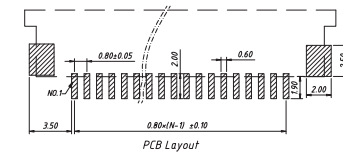
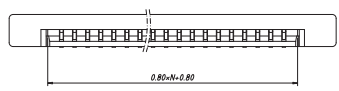


Order Information

L-KLS1-241E-XX-T-L-R

Pos. NO. _____
 Series No. _____
 No. Of pins (04~35 pins) _____
 T=SMT Pin _____
 L=Lower Contact _____
 Pack: R=Reel _____

CONN FFC 0.80mm,SMD,Horizontal,
 Lower Contact , with ZIF

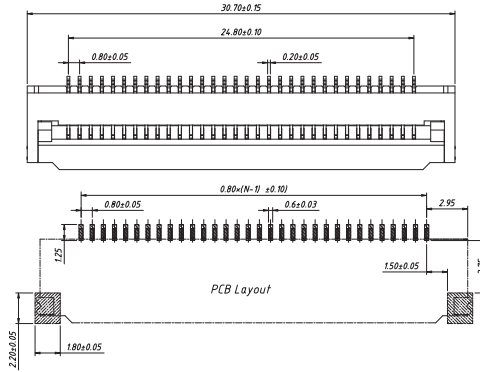


Electrical Characteristics:

Voltage rating: 50 V
 Current rating: 0.4 A
 Withstanding Voltage: 200 V
 Insulation resistance: 500MΩ.Min.
 Contact resistance: 20 mΩ.Max.



**CONN FFC 0.80mm,SMD,Horizontal,
 Lower Contact , with ZIF**



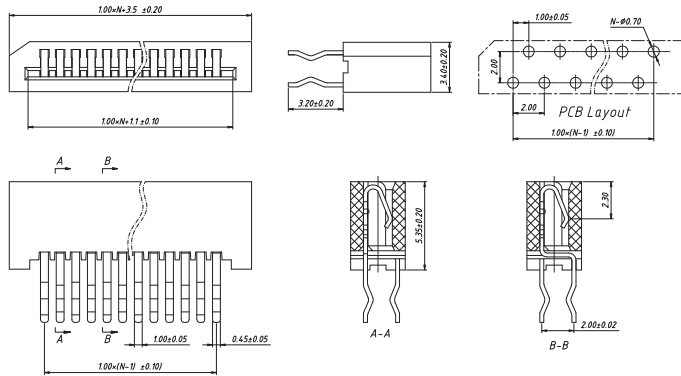
Order Information

L-KLS1-241F-2.0-XX-R

Pos. NO. _____
 Series No. _____
 Height 2.0mm
 No. Of pins (04~40 pins)
 Pack: R=Reel



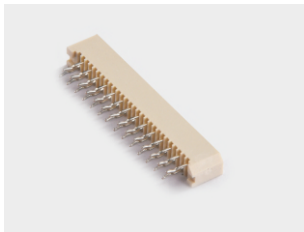
**CONN FFC 1.00mm,Positive
 needle,THR, 180°**



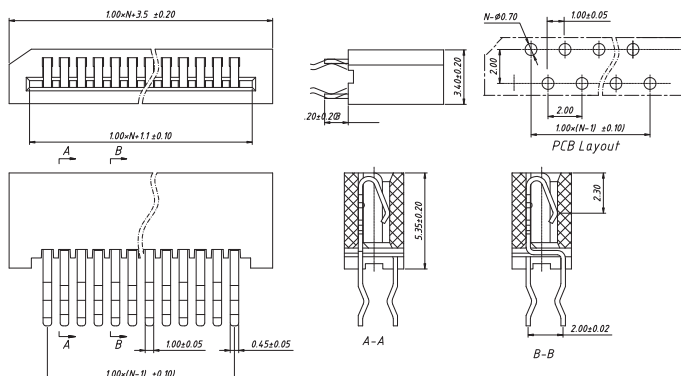
Order Information

L-KLS1-240-XX-S-P

Pos. NO. _____
 Series No. _____
 No. Of pins (04~40 pins)
 S= Straight Pin
 P= Positive needle



**CONN FFC 1.00mm,Anti-
 needle,THR, 180°**



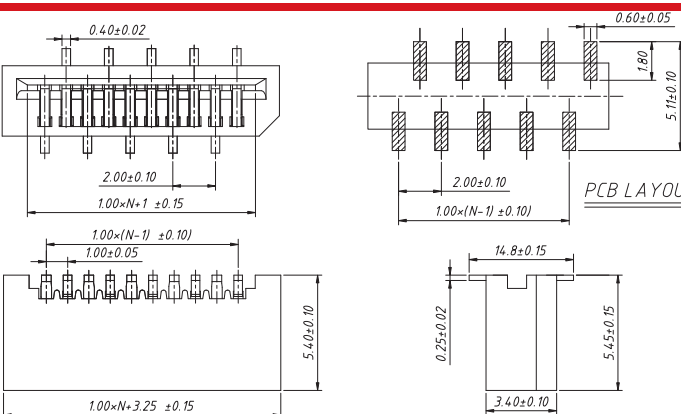
Order Information

L-KLS1-240-XX-S-A

Pos. NO. _____
 Series No. _____
 No. Of pins (04~40 pins)
 S= Straight Pin
 A= Anti-needle



CONN FFC 1.00mm,SMD,Vertical



Order Information

L-KLS1-240-XX-T-P-R

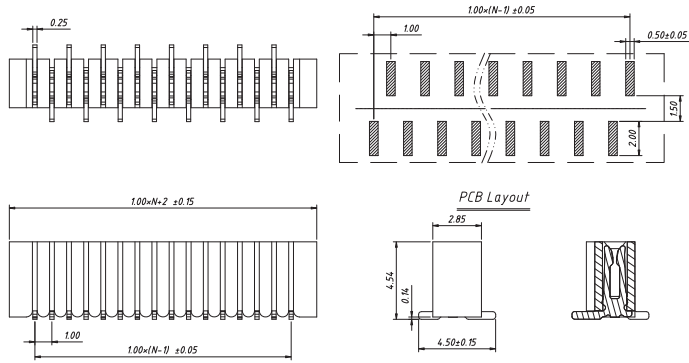
Pos. NO. _____
 Series No. _____
 No. Of pins (04~40 pins)
 T=SMT Pin
 P=Positive needle
 Pack: T=Tube R=Reel

Electrical Characteristics:

Voltage rating: 50 V
 Current rating: 0.4 A
 Withstanding Voltage: 200 V
 Insulation resistance: 500MΩ.Min.
 Contact resistance: 20 mΩ.Max.

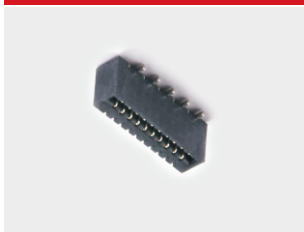


CONN FFC 1.00mm,SMD,Vertical

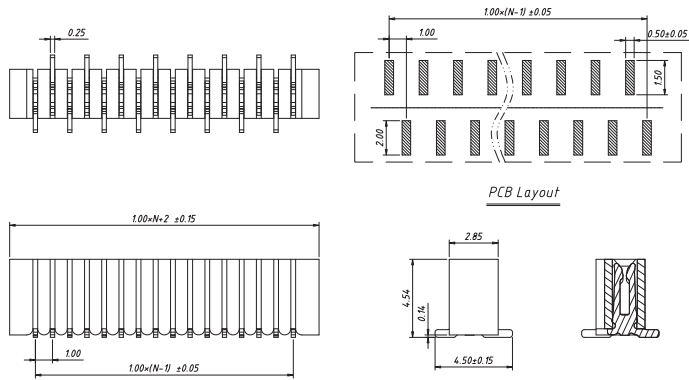


Order Information

L-KLS1-240B-XX-T-B-P R
 Pos. NO. _____
 Series No. _____
 No. Of pins (04~35 pins) _____
 T=SMT Pin _____
 B-Color:Black _____
 P=Positive needle _____
 Pack: T=Tube R=Reel _____

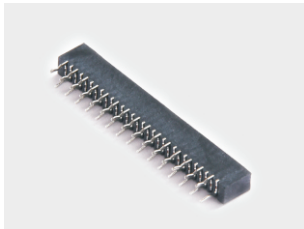


CONN FFC 1.00mm,SMD,Vertical

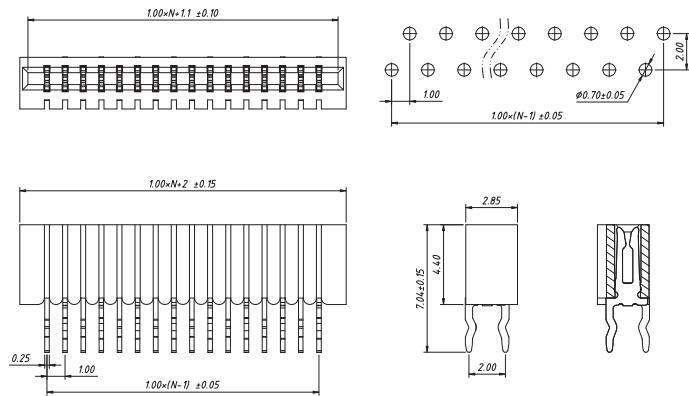


Order Information

L-KLS1-240B-XX-T-B-A R
 Pos. NO. _____
 Series No. _____
 No. Of pins (04~35 pins) _____
 T=SMT Pin _____
 B-Color:Black _____
 A=Anti-needle _____
 Pack: T=Tube R=Reel _____

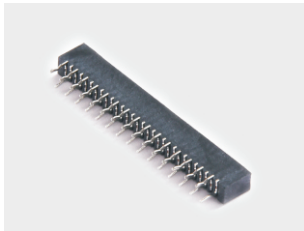


CONN FFC 1.00mm,Positive needle, THR, 180°

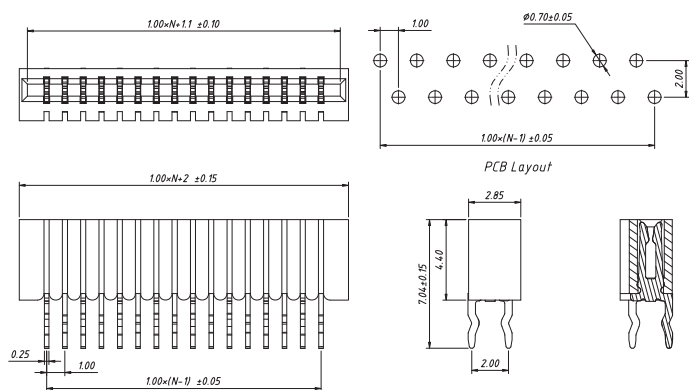


Order Information

L-KLS1-240B-XX-S-B-P T
 Pos. NO. _____
 Series No. _____
 No. Of pins (04~35 pins) _____
 S-Straight Pin _____
 B-Color:Black _____
 P=Positive needle _____
 Packing: T-Tube _____



CONN FFC 1.00mm,Anti-needle, THR, 180°



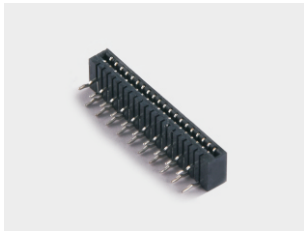
Order Information

L-KLS1-240B-XX-S-B-A T
 Pos. NO. _____
 Series No. _____
 No. Of pins (04~35 pins) _____
 S-Straight Pin _____
 B-Color:Black _____
 A=Anti-needle _____
 Packing: T-Tube _____

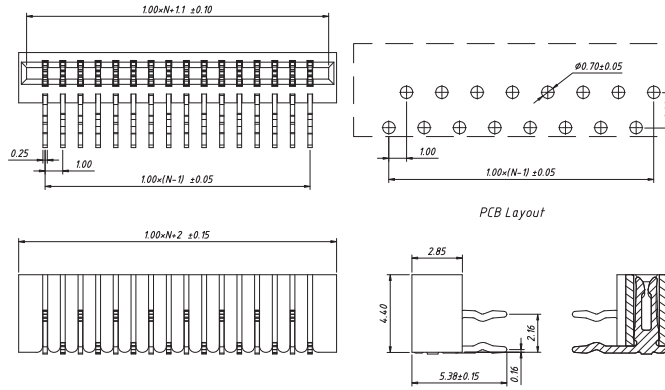
Electrical Characteristics:

Voltage rating: 50 V
 Current rating: 0.4 A
 Withstanding Voltage: 200 V
 Insulation resistance: 500MΩ.Min.
 Contact resistance: 20 mΩ.Max.

KLS
 electronic



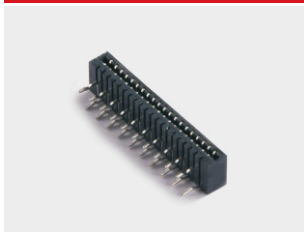
**CONN FFC 1.00mm,
 Positive needle,THR, 90°**



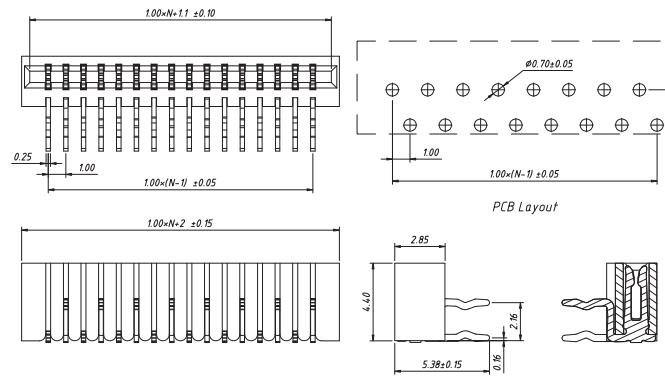
Order Information

L-KLS1-240B-XX-R-B-P T

Pos. NO.
 Series No.
 No. Of pins
 (04~35 pins)
 R-Right Angle Pin
 B-Color:Black
 P=Positive needle
 Packing: T-Tube



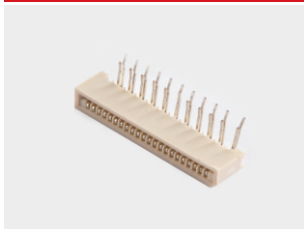
**CONN FFC 1.00mm,
 Anti-needle,THR, 90°**



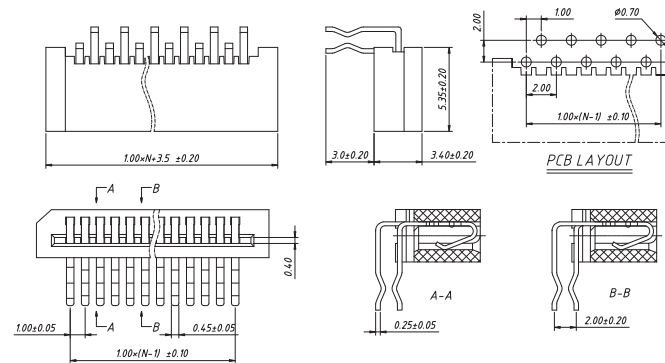
Order Information

L-KLS1-240B-XX-R-B-A T

Pos. NO.
 Series No.
 No. Of pins
 (04~35 pins)
 S-Straight Pin
 B-Color:Black
 R-Right Angle Pin
 Packing: T-Tube



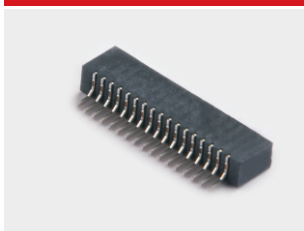
CONN FFC 1.00mm,THR, 90°



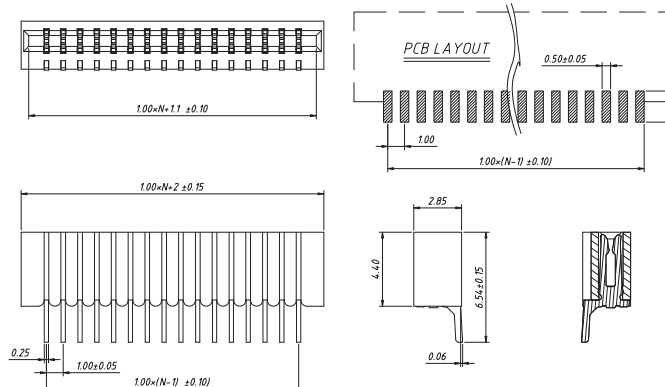
Order Information

L-KLS1-240-XX-R-P

Pos. NO.
 Series No.
 No. Of pins
 (04~40 pins)
 R-Right Angle Pin
 P-Positive needle



CONN FFC 1.00mm,SMD,Horizontal



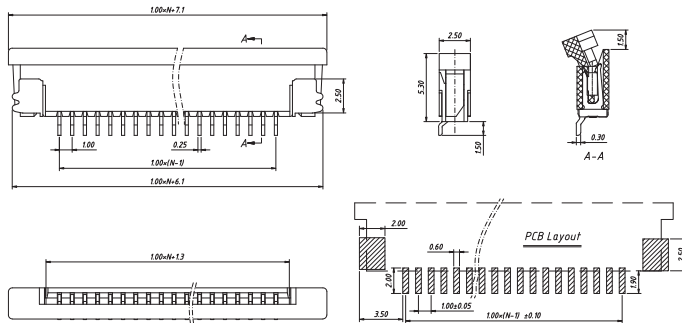
Order Information

L-KLS1-240C-XX-RT-R

Pos. NO.
 Series No.
 No. Of pins
 (04~35 pins)
 RT-SMD,Horizontal
 Pack: T=Tube R=Reel

Electrical Characteristics:

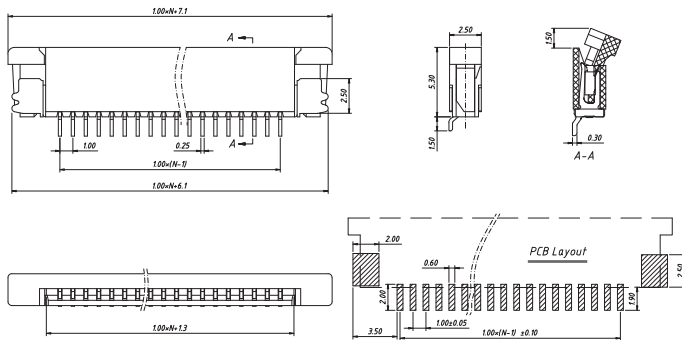
Voltage rating: 50 V
 Current rating: 0.4 A
 Withstanding Voltage: 200 V
 Insulation resistance: 500MΩ.Min.
 Contact resistance: 20 mΩ.Max.



CONN FFC 1.00mm,SMD,Horizontal, Upper Contact ,with ZIF

Order Information

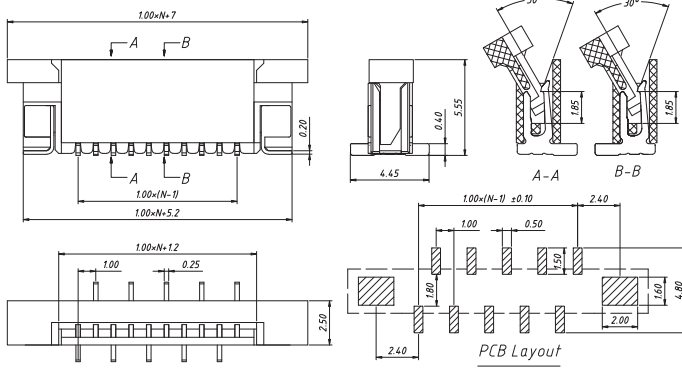
L-KLS1-1240D-2.5-XX-T-U-R
 Pos. NO. _____
 Series No. _____
 Height:2.5mm _____
 No. Of pins (04°35 pins) _____
 Horizontal SMT Pin _____
 U=Upper Contact _____
 Pack: T=Tube R=Reel _____



CONN FFC 1.00mm,SMD,Horizontal, Lower Contact , with ZIF

Order Information

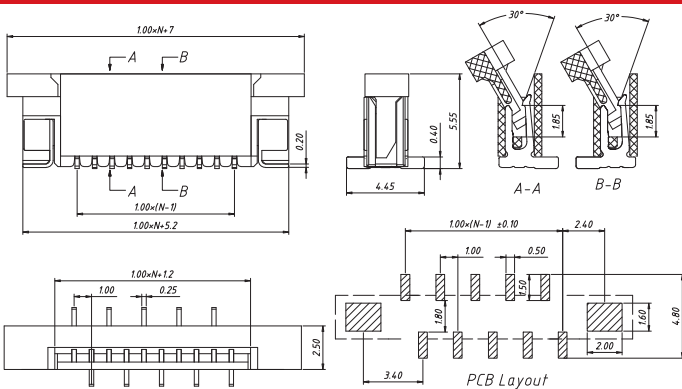
L-KLS1-1240D-2.5-XX-T-L-R
 Pos. NO. _____
 Series No. _____
 Height:2.5mm _____
 No. Of pins (04°35 pins) _____
 Horizontal SMT Pin _____
 L=Lower Contact _____
 Pack: T=Tube R=Reel _____



CONN FFC 1.00mm,Positive needle, SMD,Vertical,with ZIF

Order Information

L-KLS1-1240D-5.5-XX-T-P-R
 Pos. NO. _____
 Series No. _____
 Height:5.5mm _____
 No. Of pins (02°30 pins) _____
 Vertical SMT Pin _____
 P=Positive needle _____
 Pack: T=Tube R=Reel _____



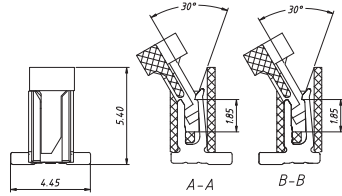
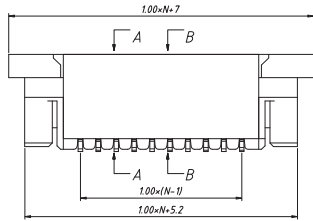
CONN FFC 1.00mm,Anti-needle, SMD,Vertical,with ZIF

Order Information

L-KLS1-1240D-5.5-XX-T-A-R
 Pos. NO. _____
 Series No. _____
 Height:5.5mm _____
 No. Of pins (02°30 pins) _____
 Vertical SMT Pin _____
 A=Anti-needle _____
 Pack: T=Tube R=Reel _____

Electrical Characteristics:

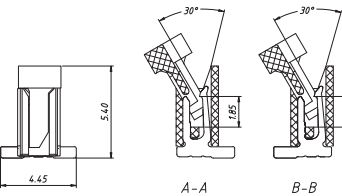
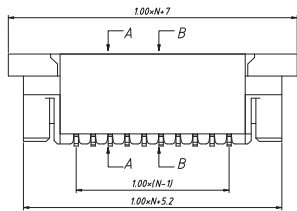
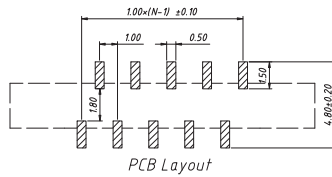
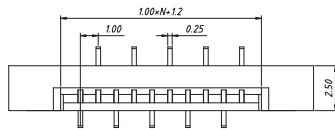
Voltage rating: 50 V
 Current rating: 0.4 A
 Withstanding Voltage: 200 V
 Insulation resistance: 500M Ω .Min.
 Contact resistance: 20 m Ω .Max.



Order Information

L-KLS1-1240K-5.5-XX-T-P-R
 Pos. NO. _____
 Series No. _____
 Height: 5.5mm _____
 No. Of pins (02°-30 pins) _____
 T=SMT Pin _____
 P=Positive needle _____
 Pack: T=Tube R=Reel _____

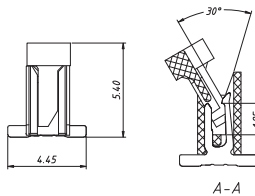
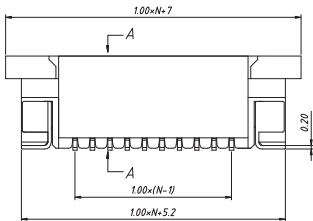
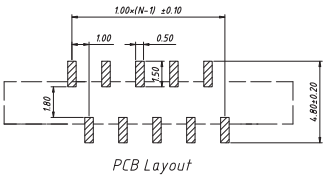
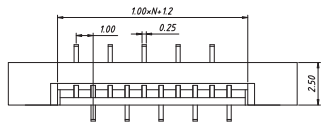
**CONN FFC 1.00mm,SMD,
 Vertical,with ZIF**



Order Information

L-KLS1-1240K-5.5-XX-T-A-R
 Pos. NO. _____
 Series No. _____
 Height: 5.5mm _____
 No. Of pins (02°-30 pins) _____
 T=SMT Pin _____
 A=Anti-needle _____
 Pack: T=Tube R=Reel _____

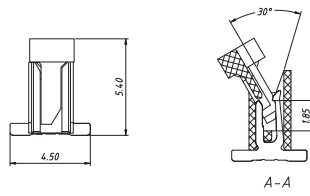
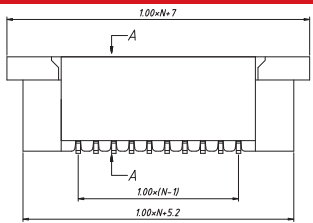
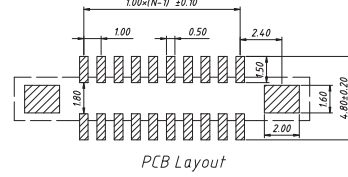
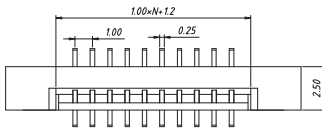
**CONN FFC 1.00mm,SMD,
 Vertical,with ZIF**



Order Information

L-KLS1-1240H-5.4-XX-T-R
 Pos. NO. _____
 Series No. _____
 Height: 5.4mm _____
 No. Of pins (02°-30 pins) _____
 T=SMT Pin _____
 Pack: T=Tube R=Reel _____

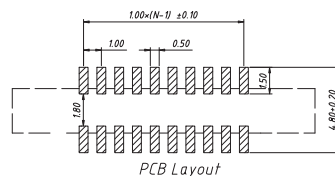
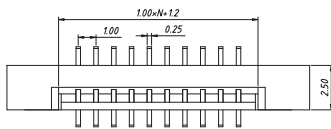
**CONN FFC 1.00mm,SMD,
 Vertical,with ZIF**



Order Information

L-KLS1-1240E-5.4-XX-T-R
 Pos. NO. _____
 Series No. _____
 Height: 5.4mm _____
 No. Of pins (02°-30 pins) _____
 T-Vertical SMT Pin _____
 Pack: T=Tube R=Reel _____

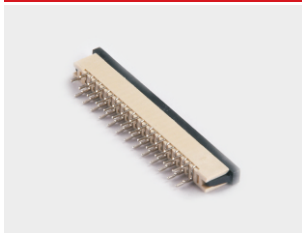
**CONN FFC 1.00mm,SMD,
 Vertical,with ZIF**



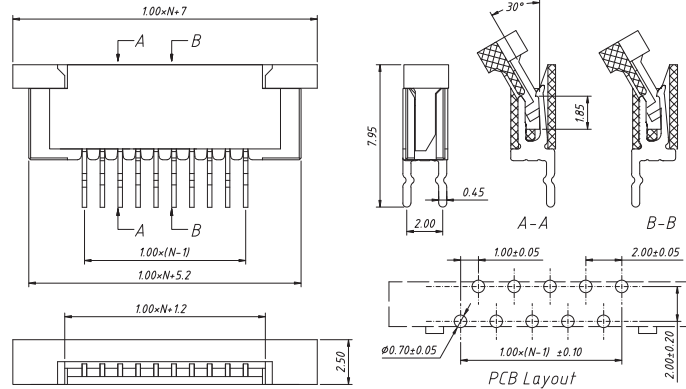
Electrical Characteristics:

Voltage rating: 50 V
 Current rating: 0.4 A
 Withstanding Voltage: 200 V
 Insulation resistance: 500M Ω .Min.
 Contact resistance: 20 m Ω .Max.

KLS
 electronic



CONN FFC 1.00mm,Positive needle,
 THR, 180°,with ZIF



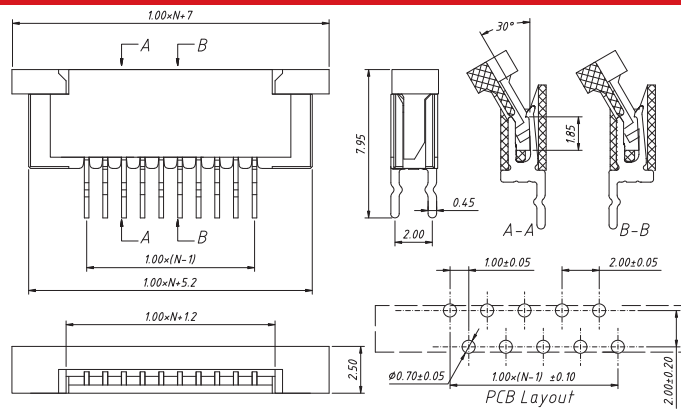
Order Information

L-KLS1-1240E-XX-S-P-T

Pos. NO. _____
 Series No. _____
 No. Of pins
 (02~30 pins) _____
 S-Straight Pin _____
 P=Positive needle _____
 Pack: T=Tube _____



CONN FFC 1.00mm,Anti-needle,
 THR, 180°,with ZIF



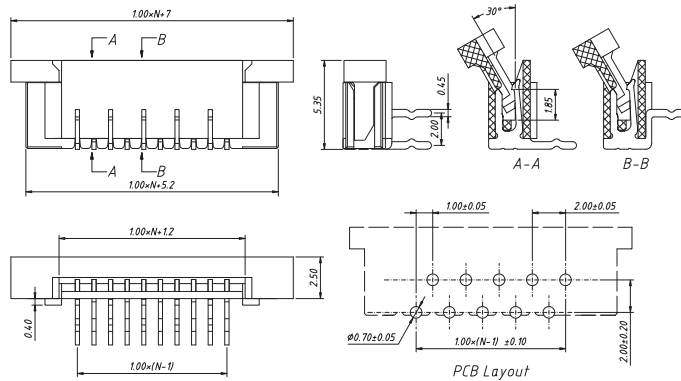
Order Information

L-KLS1-1240E-XX-S-A-T

Pos. NO. _____
 Series No. _____
 No. Of pins
 (02~30 pins) _____
 S-Straight Pin _____
 A=Anti-needle _____
 Pack: T=Tube _____



CONN FFC 1.00mm,Positive needle,
 THR, 90°,with ZIF



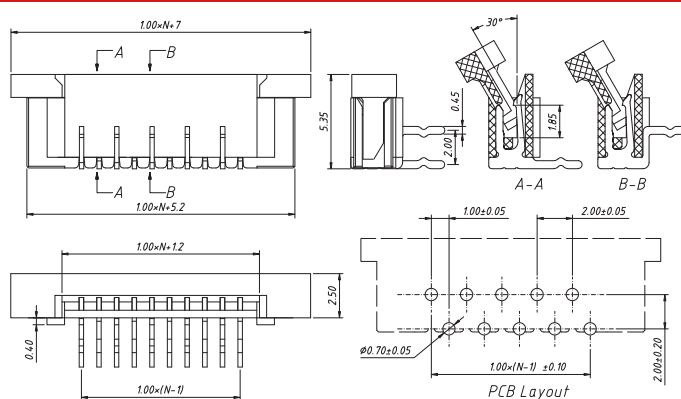
Order Information

L-KLS1-1240E-XX-R-P-T

Pos. NO. _____
 Series No. _____
 No. Of pins
 (02~30 pins) _____
 R-Right Angle Pin _____
 P=Positive needle _____
 Pack: T=Tube _____



CONN FFC 1.00mm,Anti-needle,
 THR, 90°,with ZIF



Order Information

L-KLS1-1240E-XX-R-A-T

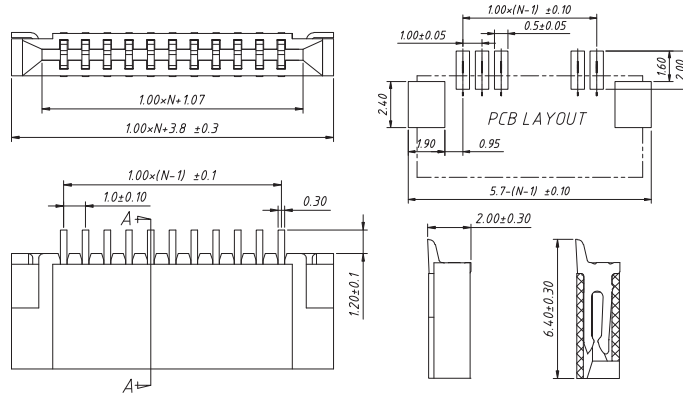
Pos. NO. _____
 Series No. _____
 No. Of pins
 (02~30 pins) _____
 R-Right Angle Pin _____
 A=Anti-needle _____
 Pack: T=Tube _____

Electrical Characteristics:

Voltage rating: 50 V
 Current rating: 0.4 A
 Withstanding Voltage: 200 V
 Insulation resistance: 500MΩ.Min.
 Contact resistance: 20 mΩ.Max.



CONN FFC 1.00mm,SMD,Horizontal



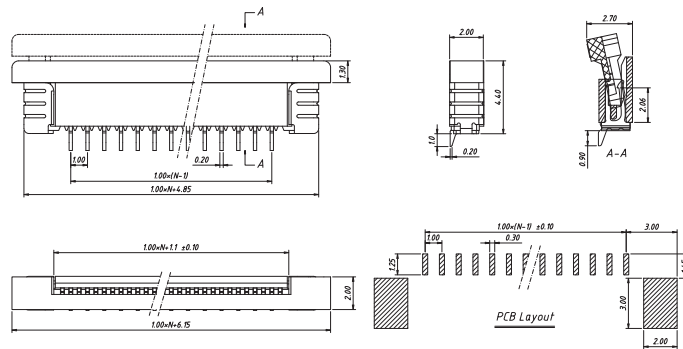
Order Information

L-KLS1-1240G-2.0-XX-T-R

Pos. NO. _____
 Series No. _____
 Height:2.0mm _____
 No. Of pins (04~32 pins) _____
 T=SMT Pin _____
 Pack: T=Tube R=Reel _____



CONN FFC 0.50mm,SMD,Horizontal, Lower Contact , with ZIF



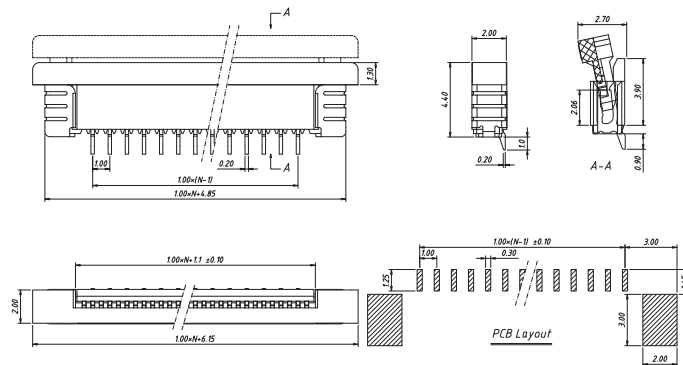
Order Information

L-KLS1-240F-2.0-XX-T-U-R

Pos. NO. _____
 Series No. _____
 Height:2.0mm _____
 No. Of pins (02~30 pins) _____
 T=SMT Pin _____
 U=Upper Contact _____
 Pack: T=Tube R=Reel _____



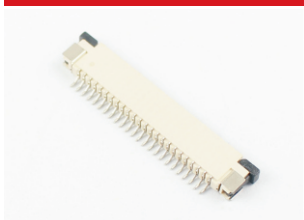
CONN FFC 0.50mm,SMD,Horizontal, Upper Contact , with ZIF



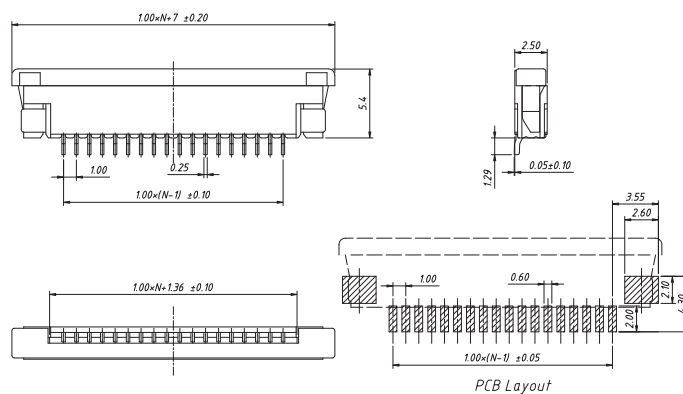
Order Information

L-KLS1-240G-2.0-XX-T-L-R

Pos. NO. _____
 Series No. _____
 Height:2.0mm _____
 No. Of pins (02~30 pins) _____
 T=SMT Pin _____
 L=Lower Contact _____
 Pack: T=Tube R=Reel _____



CONN FFC 0.50mm,SMD,Horizontal, Lower Contact , with ZIF



Order Information

L-KLS1-1240N-2.5-XX-T-U-R

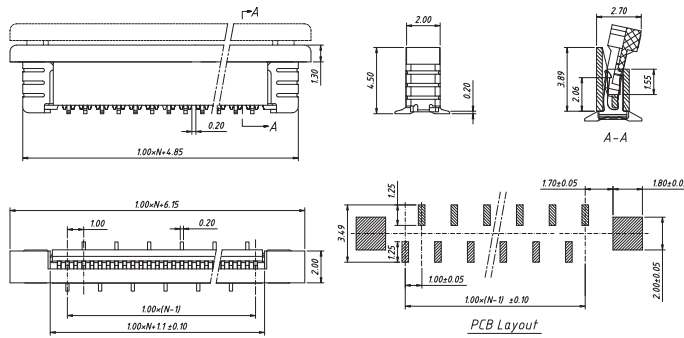
Pos. NO. _____
 Series No. _____
 Height:2.5mm _____
 No. Of pins (04~40 pins) _____
 T=SMT Pin _____
 U=Upper Contact _____
 Pack: T=Tube R=Reel _____

Electrical Characteristics:

Voltage rating: 50 V
 Current rating: 0.4 A
 Withstanding Voltage: 200 V
 Insulation resistance: 500MΩ.Min.
 Contact resistance: 20 mΩ.Max.



CONN FFC 1.00mm,Positive needle,
 SMD,Vertical,with ZIF

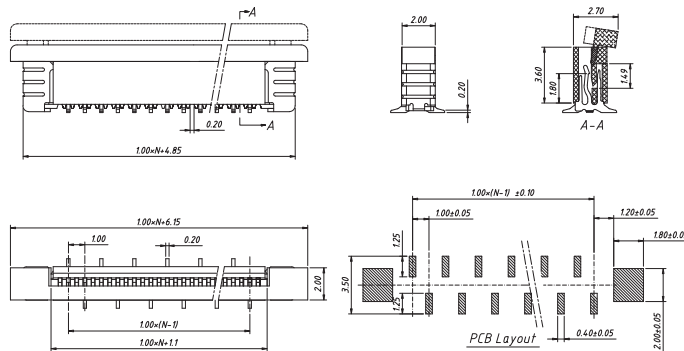


Order Information

L-KLS1-242E-4.7-XX-T-P-R
 Pos. NO. _____
 Series No. _____
 Height:4.7mm _____
 No. Of pins (02~30 pins) _____
 T=SMT Pin _____
 P=Positive needle _____
 Pack: T=Tube R=Reel _____



CONN FFC 1.00mm,Anti-needle,
 SMD,Vertical,with ZIF

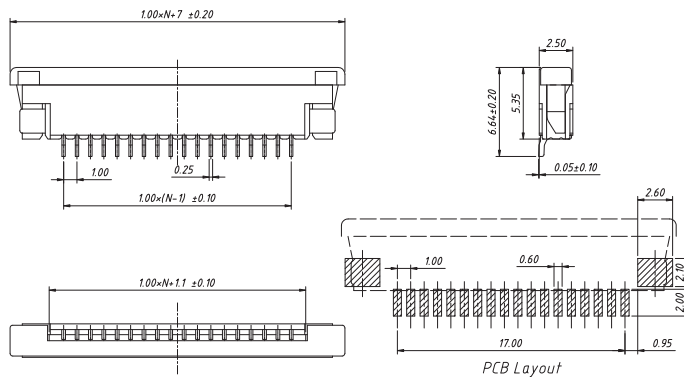


Order Information

L-KLS1-242E-4.7-XX-T-A-R
 Pos. NO. _____
 Series No. _____
 Height:4.7mm _____
 No. Of pins (02~30 pins) _____
 T=SMT Pin _____
 A=Anti-needle _____
 Pack: T=Tube R=Reel _____



CONN FFC 1.00mm,SMD,Horizontal,
 Lower Contact , with ZIF

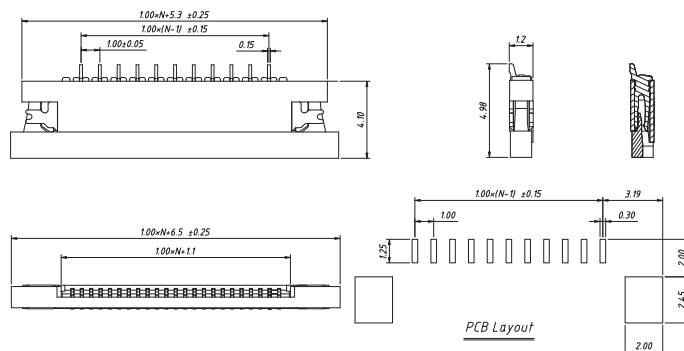


Order Information

L-KLS1-1240Q-2.5-XX-T-L-R
 Pos. NO. _____
 Series No. _____
 Height:2.5mm _____
 No. Of pins (04~40pins) _____
 T=SMT Pin _____
 L=Lower Contact _____
 Pack: T=Tube R=Reel _____



CONN FFC 1.00mm,SMD,Horizontal,
 Upper Contact ,with ZIF

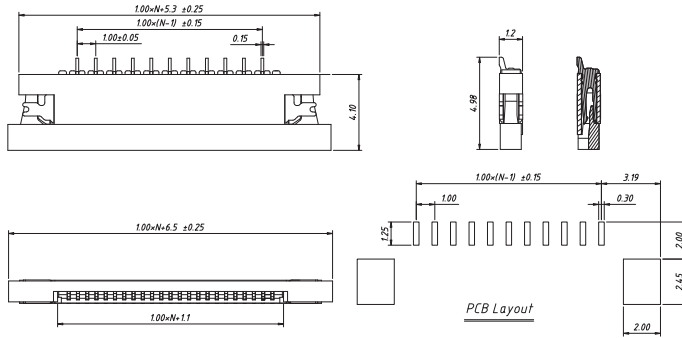


Order Information

L-KLS1-1240S-1.2-XX-T-U-R
 Pos. NO. _____
 Series No. _____
 Height:1.2mm _____
 No. Of pins (04~30pins) _____
 T=SMT Pin _____
 U=Upper Contact _____
 Pack: T=Tube R=Reel _____

Electrical Characteristics:

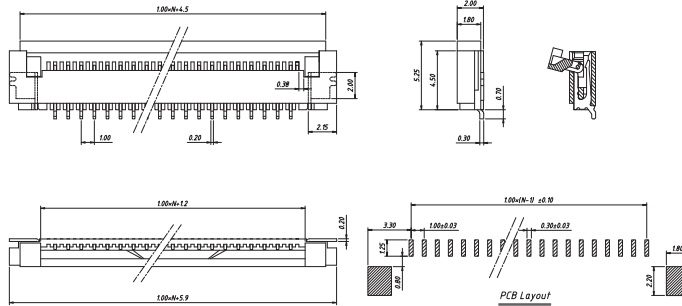
Voltage rating: 50 V
 Current rating: 0.4 A
 Withstanding Voltage: 200 V
 Insulation resistance: 500MΩ.Min.
 Contact resistance: 20 mΩ.Max.



CONN FFC 1.00mm,SMD,Horizontal,
 Lower Contact , with ZIF

Order Information

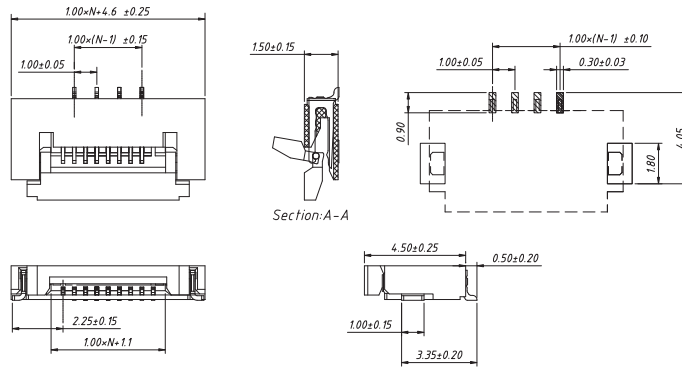
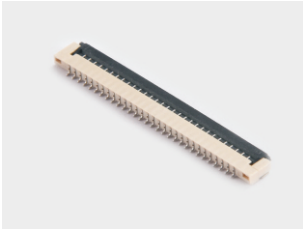
L-KLS1-1240T-1.2-XX-T-L-R
 Pos. NO. _____
 Series No. _____
 Height:1.2mm
 No. Of pins (04~30 pins)
 T=SMT Pin
 L=Lower Contact
 Pack: T=Tube R=Reel



CONN FFC 1.00mm,SMD,Horizontal,
 Lower Contact , with ZIF

Order Information

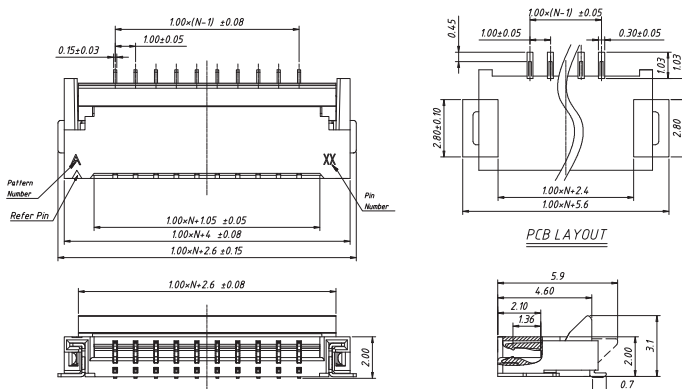
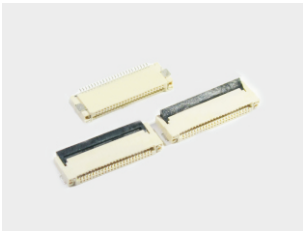
L-KLS1-240M-2.0-XX-T-L-R
 Pos. NO. _____
 Series No. _____
 Height:2.0mm
 No. Of pins (04~35 pins)
 T=SMT Pin
 L=Lower Contact
 Pack: T=Tube R=Reel



CONN FFC 1.00mm,SMD,Horizontal,
 Lower Contact , with ZIF

Order Information

L-KLS1-240N-1.5-XX-T-L-R
 Pos. NO. _____
 Series No. _____
 Height:1.5mm
 No. Of pins (04~60 pins)
 T=SMT Pin
 L=Lower Contact
 Pack: T=Tube R=Reel



CONN FFC 1.00mm,SMD,
 Horizontal,with ZIF

Order Information

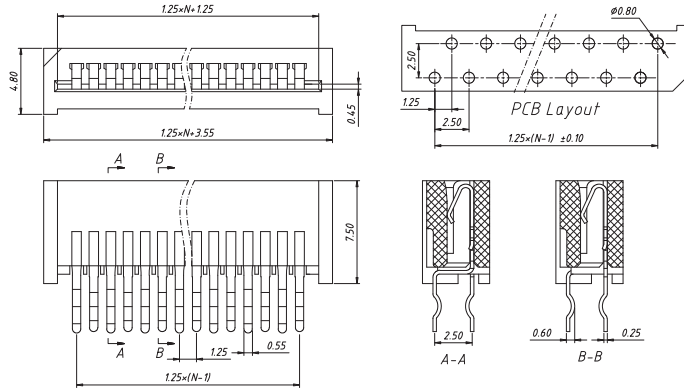
L-KLS1-240Q-2.0-XX-T-L-R
 Pos. NO. _____
 Series No. _____
 Height:2.0mm
 No. Of pins (04~40 pins)
 T=SMT Pin
 Pack: T=Tube R=Reel

Electrical Characteristics:

Voltage rating: 200 V
 Current Rating: 1 A
 Withstanding Voltage: 500 V
 Insulation resistance: 500MΩ.Min.
 Contact resistance: 20 mΩ.Max.



**CONN FFC 1.25mm,
Positive needle,THR 180°**

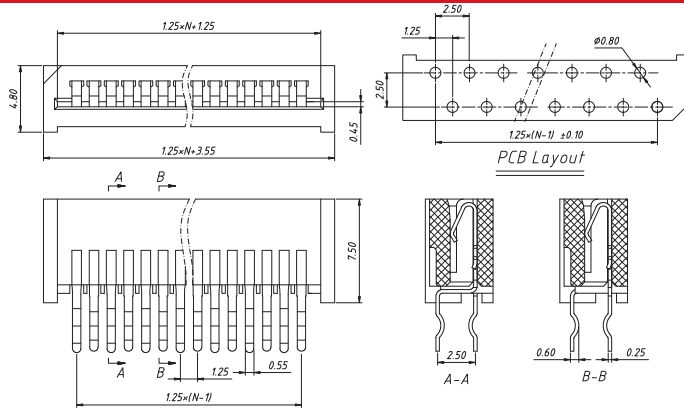


Order Information

L-KLS1-220-XX-S-P
 Pos. NO. _____
 Series No. _____
 No. Of pins (04~40 pins) _____
 S-Straight Pin _____
 P=Positive needle _____

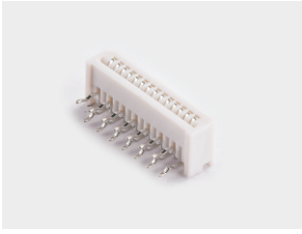


**CONN FFC 1.25mm,
Anti-needle,THR 180°**

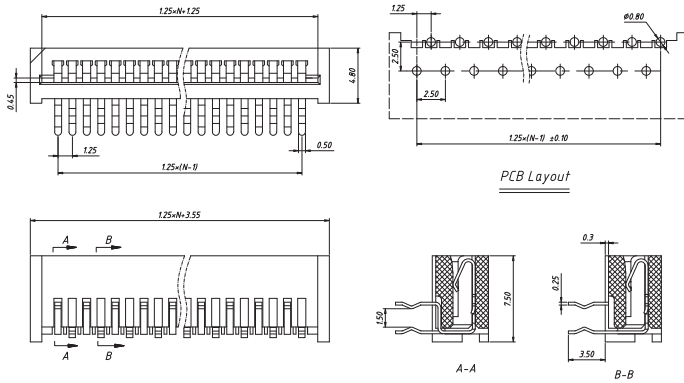


Order Information

L-KLS1-220-XX-S-A
 Pos. NO. _____
 Series No. _____
 No. Of pins (04~40 pins) _____
 S-Straight Pin _____
 A=Anti-needle _____

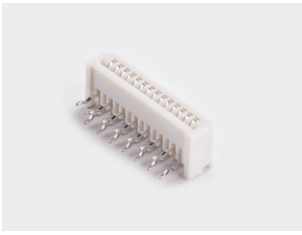


**CONN FFC 1.25mm,
Positive needle,THR 90°**

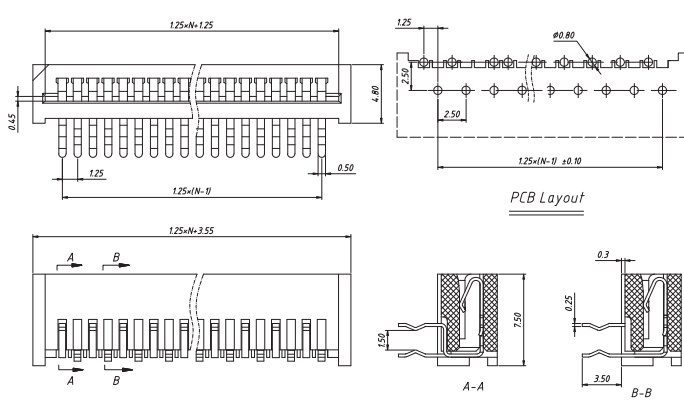


Order Information

L-KLS1-220-XX-R-P
 Pos. NO. _____
 Series No. _____
 No. Of pins (04~40 pins) _____
 R-Right Angle Pin _____
 P=Positive needle _____



**CONN FFC 1.25mm,
Anti-needle,THR 90°**

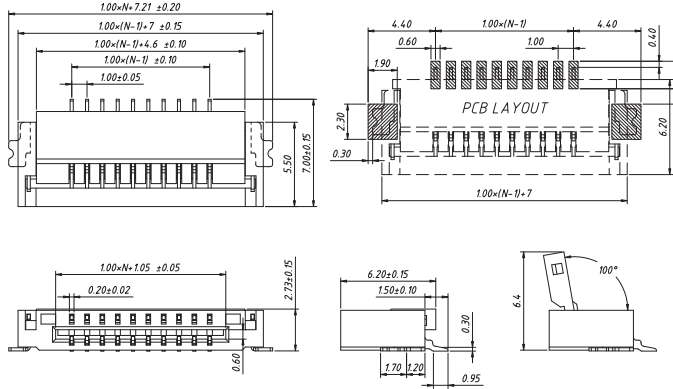


Order Information

L-KLS1-220-XX-R-A
 Pos. NO. _____
 Series No. _____
 No. Of pins (04~40 pins) _____
 R-Right Angle Pin _____
 A=Anti-needle _____

Electrical Characteristics:

Voltage rating: 200 V
 Current Rating: 1 A
 Withstanding Voltage: 500 V
 Insulation resistance: 500MΩ.Min.
 Contact resistance: 20 mΩ.Max.

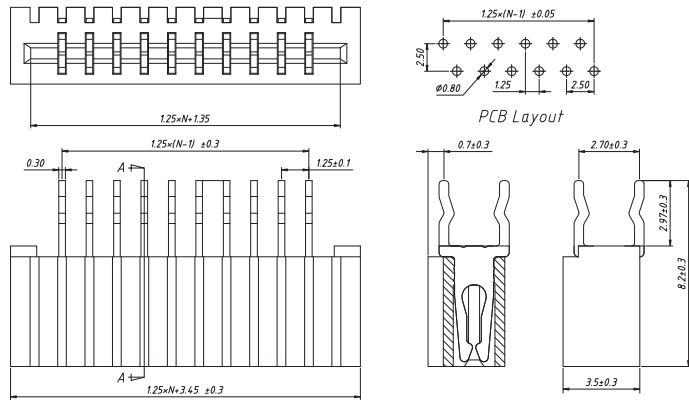


Order Information

L-KLS1-240S-2.7-XX-T-R

Pos. NO. _____
 Series No. _____
 Height: 2.7mm
 No. Of pins (04~37 pins)
 T=SMT Pin
 Pack: T=Tube R=Reel

CONN FFC 1.00mm, SMD, Horizontal, with ZIF

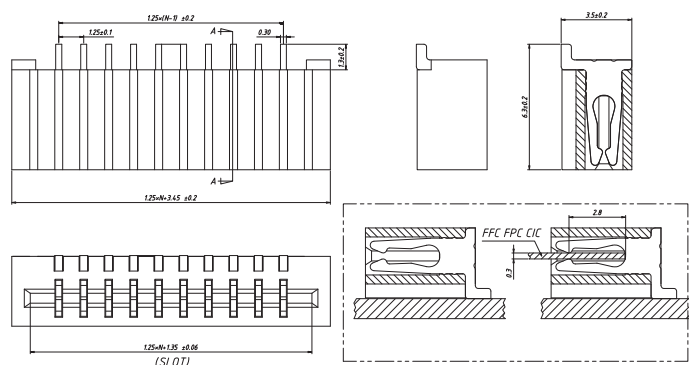


Order Information

L-KLS1-240G-XX-S-A

Pos. NO. _____
 Series No. _____
 No. Of pins (04~33 pins)
 S-Straight Pin
 A=Anti-needle

CONN FFC 1.25mm THR 180°

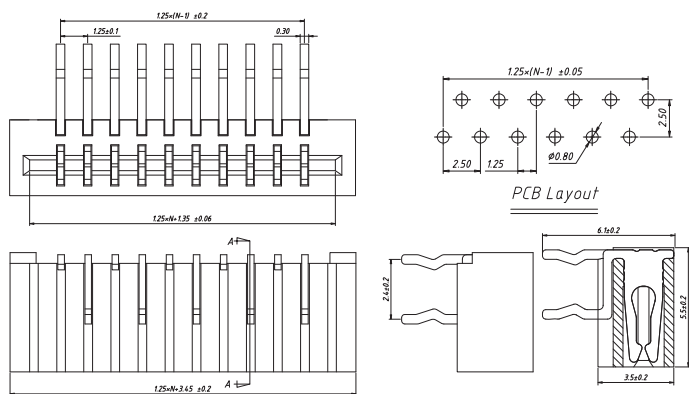
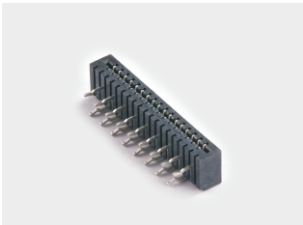


Order Information

L-KLS1-220F-XX-T-R

Pos. NO. _____
 Series No. _____
 No. Of pins (04~33 pins)
 T=SMT Pin
 Pack: T=Tube R=Reel

CONN FFC 1.25mm SMD, Horizontal



Order Information

L-KLS1-220E-XX-R-P

Pos. NO. _____
 Series No. _____
 No. Of pins (04~33 pins)
 R-Right Angle Pin
 P-Positive needle

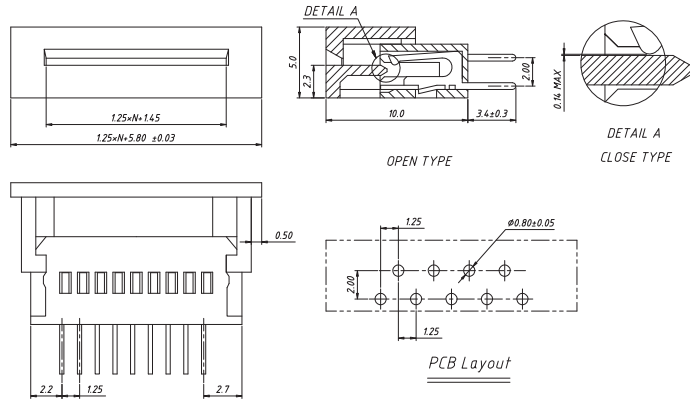
CONN FFC 1.25mm THR 90°

Electrical Characteristics:

Voltage rating: 200 V
 Current Rating: 1 A
 Withstanding Voltage: 500 V
 Insulation resistance: 500MΩ.Min.
 Contact resistance: 20 mΩ.Max.



CONN FFC 1.25mm THR 180° with ZIF

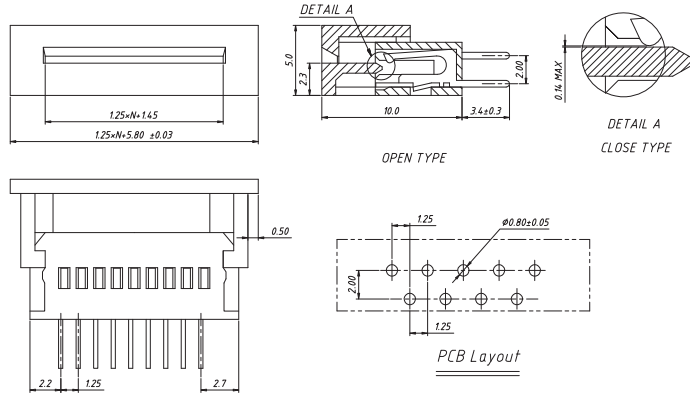


Order Information

L-KLS1-220C-XX-S-P
 Pos. NO. _____
 Series No. _____
 No. Of pins (03~32 pins)
 S-Straight Pin
 P=Positive needle



CONN FFC 1.25mm THR 180° with ZIF

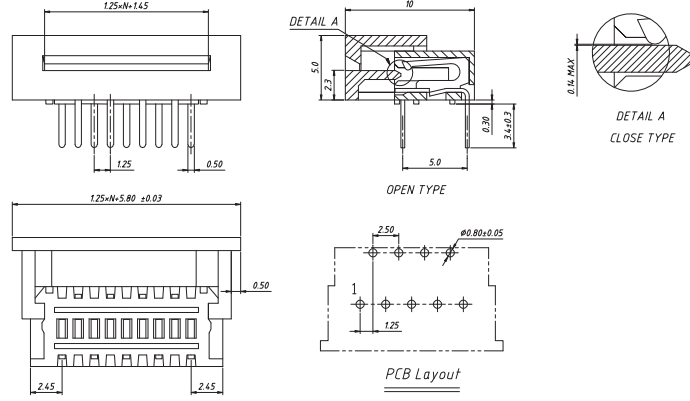


Order Information

L-KLS1-220C-XX-S-A
 Pos. NO. _____
 Series No. _____
 No. Of pins (03~32 pins)
 S-Straight Pin
 A=Anti-needle



CONN FFC 1.25mm THR 90° with ZIF

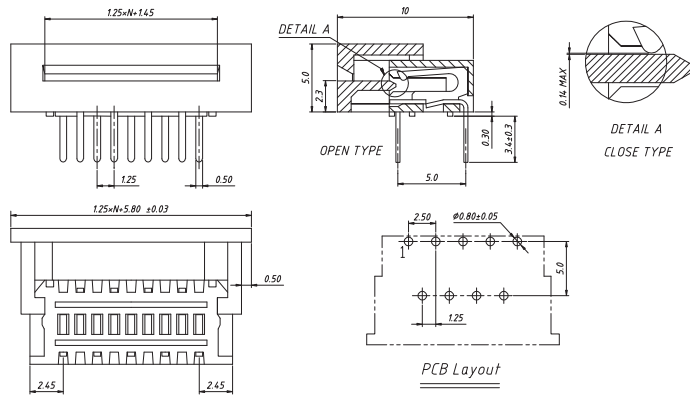


Order Information

L-KLS1-220C-XX-R-P
 Pos. NO. _____
 Series No. _____
 No. Of pins (03~32 pins)
 R-Right Angle Pin
 P=Positive needle



CONN FFC 1.25mm THR 90° with ZIF

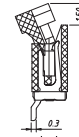
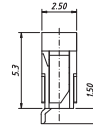
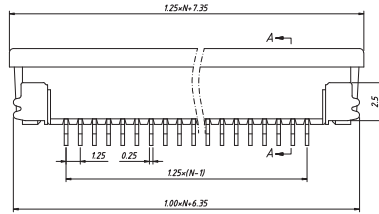


Order Information

L-KLS1-220C-XX-R-A
 Pos. NO. _____
 Series No. _____
 No. Of pins (03~32 pins)
 R-Right Angle Pin
 A=Anti-needle

Electrical Characteristics:

Voltage rating: 200 V
 Current Rating: 1 A
 Withstanding Voltage: 500 V
 Insulation resistance: 500MΩ.Min.
 Contact resistance: 20 mΩ.Max.

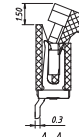
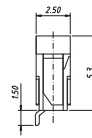
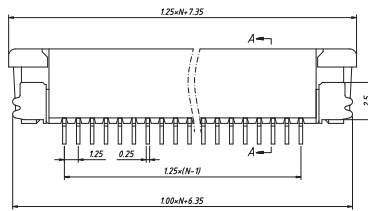
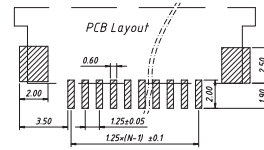
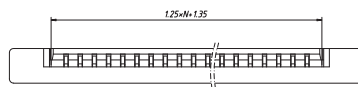


Order Information

L-KLS1-220D-2.5-XX-T-U-R

Pos. NO. _____
 Series No. _____
 Height: 2.5mm _____
 No. Of pins (04~35 pins) _____
 T=SMT Pin _____
 U=Upper Contact _____
 Pack: T=Tube R=Reel _____

CONN FFC 1.25mm SMD, Upper Contact ,with ZIF

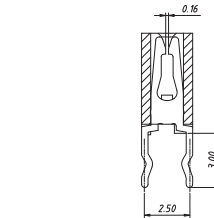
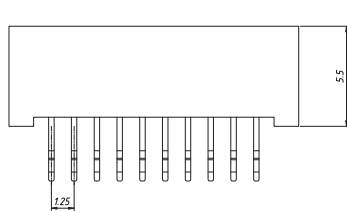
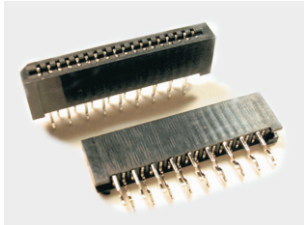
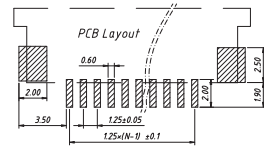
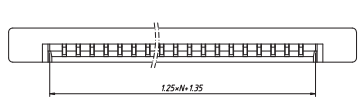


Order Information

L-KLS1-220D-2.5-XX-T-L-R

Pos. NO. _____
 Series No. _____
 Height: 2.5mm _____
 No. Of pins (04~35 pins) _____
 T=SMT Pin _____
 L=Lower Contact _____
 Pack: T=Tube R=Reel _____

CONN FFC 1.25mm SMD, Lower Contact , with ZIF

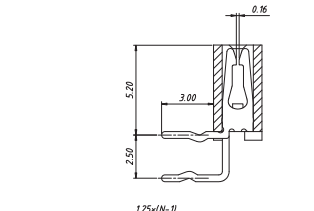
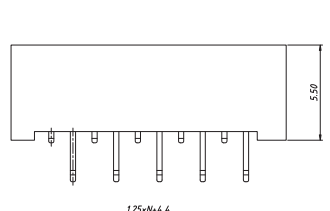
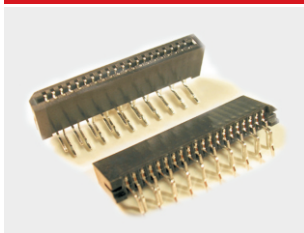
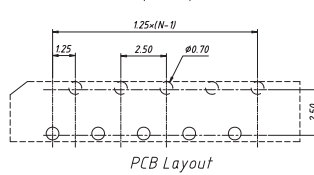
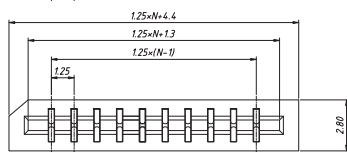


Order Information

L-KLS1-220B-XX-S-P

Pos. NO. _____
 Series No. _____
 No. Of pins (02~36 pins) _____
 S=Straight Pin _____
 P=Positive needle _____

CONN FFC 1.25mm THR 180°

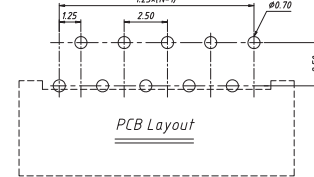
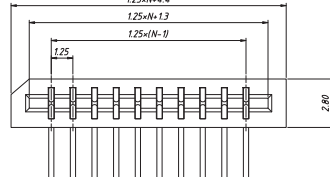


Order Information

L-KLS1-220B-XX-R-P

Pos. NO. _____
 Series No. _____
 No. Of pins (02~36 pins) _____
 R-Right Angle Pin _____
 P=Positive needle _____

CONN FFC 1.25mm THR 90°

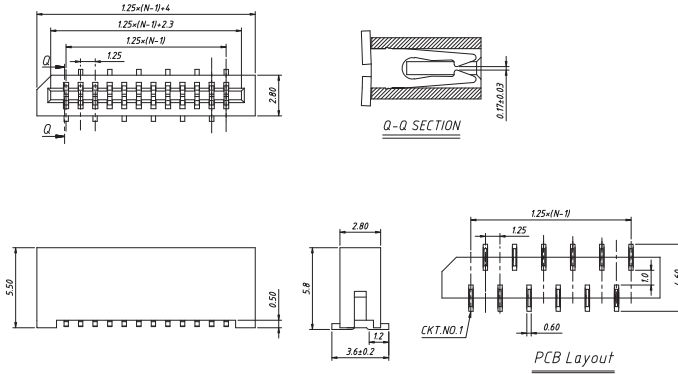


Electrical Characteristics:

Voltage rating: 200 V
 Current Rating: 1 A
 Withstanding Voltage: 500 V
 Insulation resistance: 500MΩ.Min.
 Contact resistance: 20 mΩ.Max.



CONN FFC 1.25mm SMD Vertical

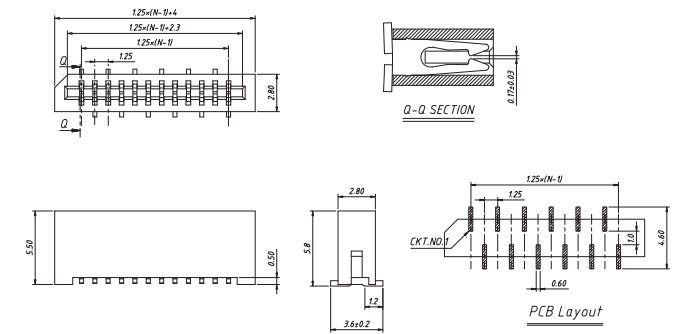


Order Information

L-KLS1-220B-XX-T-P-R
 Pos. NO. _____
 Series No. _____
 No. Of pins (03~36 pins) _____
 T=SMT Pin _____
 P=Positive needle _____
 Pack: T=Tube R=Reel _____



CONN FFC 1.25mm SMD Vertical

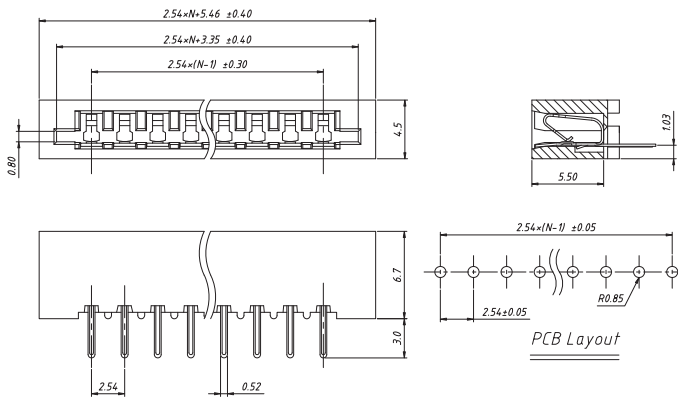


Order Information

L-KLS1-220B-XX-T-A-R
 Pos. NO. _____
 Series No. _____
 No. Of pins (03~36 pins) _____
 T=SMT Pin _____
 A=Anti-needle _____
 Pack: T=Tube R=Reel _____



CONN FFC 2.54mm THR 180°

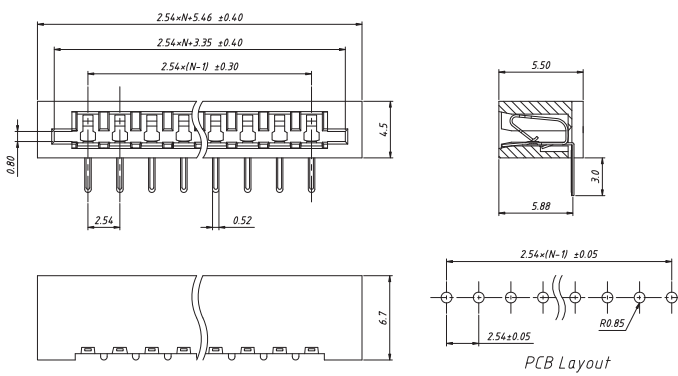


Order Information

L-KLS1-219-XX-S
 Pos. NO. _____
 Series No. _____
 No. Of pins (02~27 pins) _____
 S=Straight Pin _____



CONN FFC 2.54mm THR 90°



Order Information

L-KLS1-219-XX-R
 Pos. NO. _____
 Series No. _____
 No. Of pins (02~27 pins) _____
 R=Right Angle Pin _____