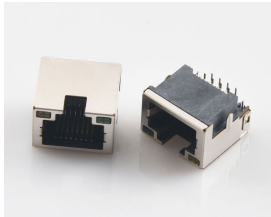


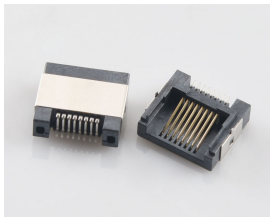


# RJ45 SINK TYPE

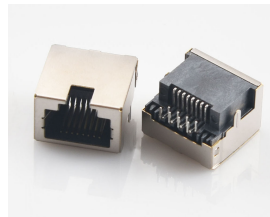
Product Image:



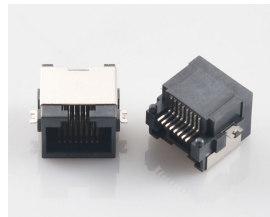
L-KLS12-SK01



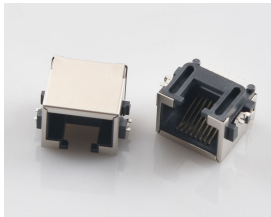
L-KLS12-SK04



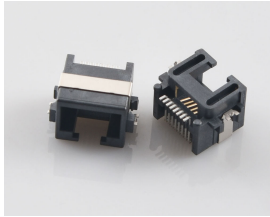
L-KLS12-SK05



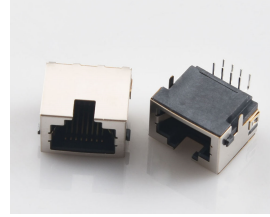
L-KLS12-SK06



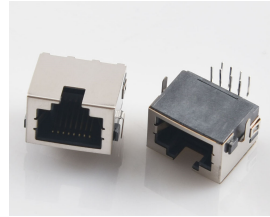
L-KLS12-SK-07



L-KLS12-SK08



L-KLS12-SK09



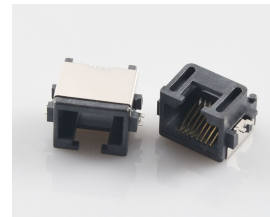
L-KLS12-SK10



L-KLS12-SK11



L-KLS12-SK12

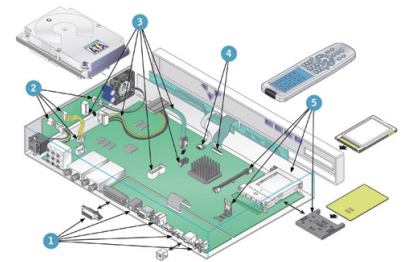


L-KLS12-SK13

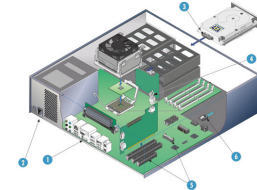
## Product application field



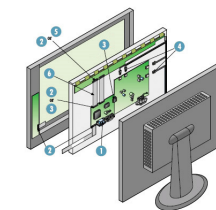
OTT box



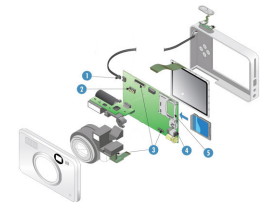
Computer motherboard display

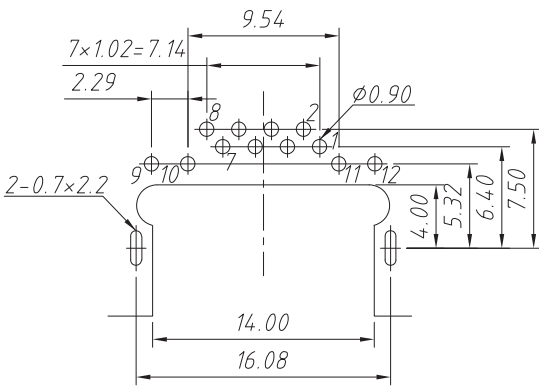
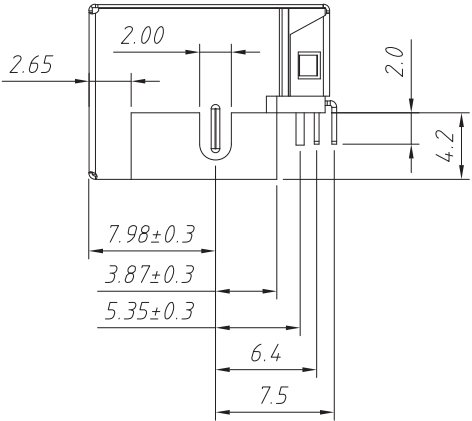
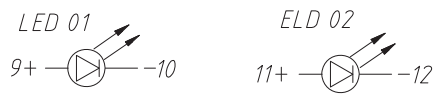
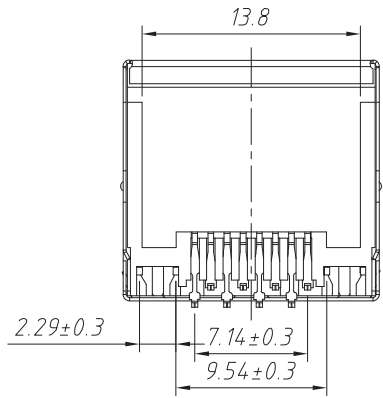
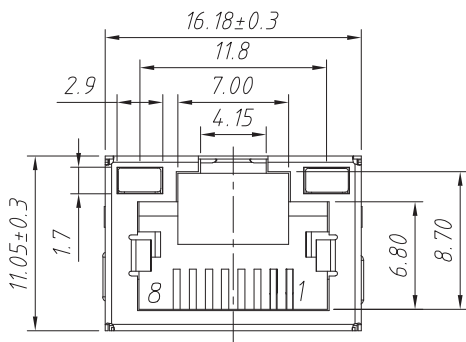
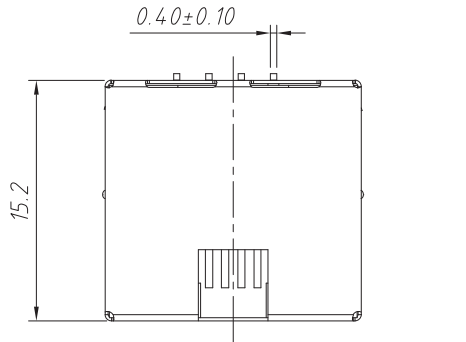


LCD TV display panel

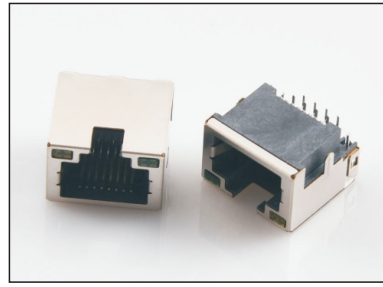


Digital camera





Recommend PCB Layout Jack Top View  
Tolerance: ±0.05mm



**MATERIAL**

- 1.Housing:LCP,UL 94V-0,Black
- 2.Terminal:Phosphor Bronze T=0.3mm,Au 1u"
- 3.Shielding:Brass T=0.2mm,Ni Plating
- 4.LED:See Table 1,Tin Plating

**ELECTRICAL**

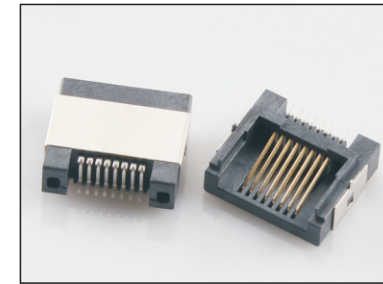
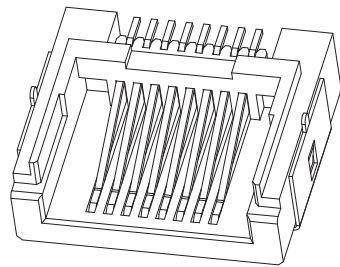
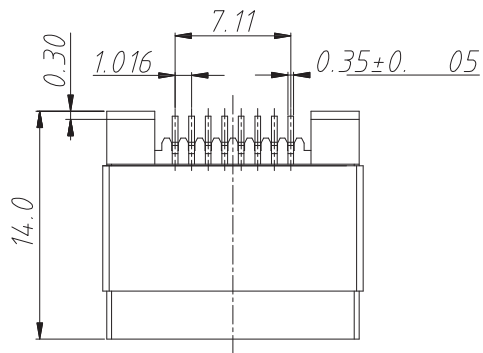
- 1.Current Rating: 1.5 Amps
- 2.Voltage Rating: 150V AC
- 3.Insulation Resistance: 500MΩ Min.
- 4.Withstanding Voltage:1000V AC
- 5.Contact Resistance:40mΩ Max.
- 6.Operating Temperature: -40 °C ~ + 80 °C

GENERAL TOLERANCE		ANGLE TOLERANCE		PROJECTION	Description:	
.X	±0.15	.X	±5°	UNITS	Modular Jack,8P8C Straddle DIP	
.X	±0.03	.X	±3°	SHEET SIZE		A4
.XX	±0.05	.XX	±2°	KLS P/N:		L-KLS12-SK01-8P8C-Y/G-01

Draw by:	Jenny	Date:	2018-03-10
Check by:		Date:	2018-03-10
SCALE		SHEET	1 OF 1

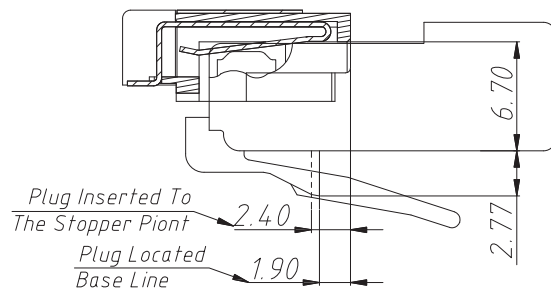
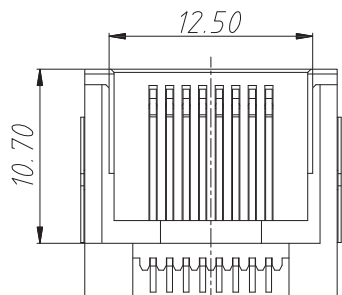
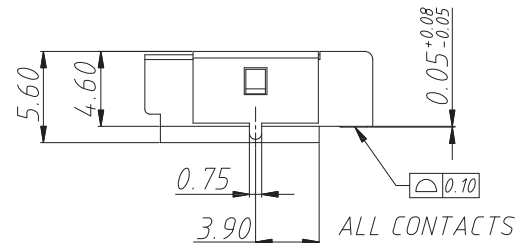
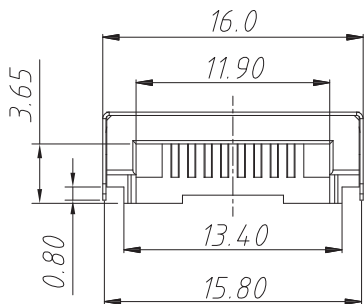


NingBo KLS ELECTRONIC CO.,L TD.



**MATERIAL**

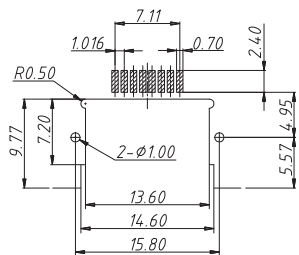
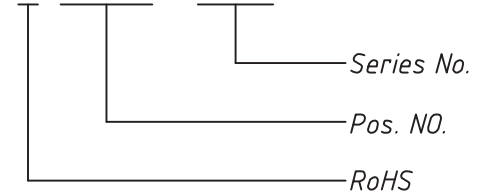
- 1.Housing: LCP+30%G.F, UL 94V-0, Black
  - 2.Terminal: Phosphor Bronze, Au 1u" Plating
  - 3.Shell: Brass T=0.2mm, Ni Plating
- ELECTRICAL**
- 1.Current Rating: 1.5 Amps
  - 2.Voltage Rating: 125V AC
  - 3.Insulation Resistance: 500MΩ Min.
  - 4.Withstanding Voltage: 1000V AC RMS 50Hz or 60Hz Min.
  - 5.Contact Resistance: 30MΩ Max.
  - 6.Durability: 750 Mating Cycles
  - 7.Operating Temperature: -25 °C ~ + 80 °C



Schematic diagram of male and female pairs

**Order Information**

L-KLS12- SK04



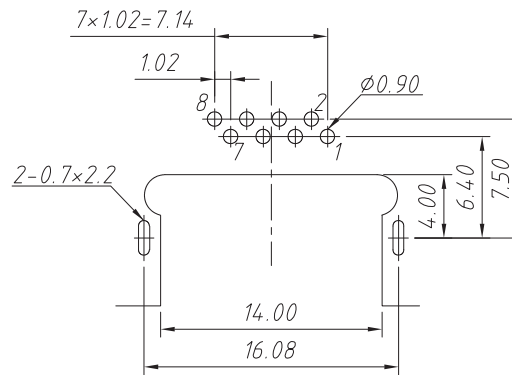
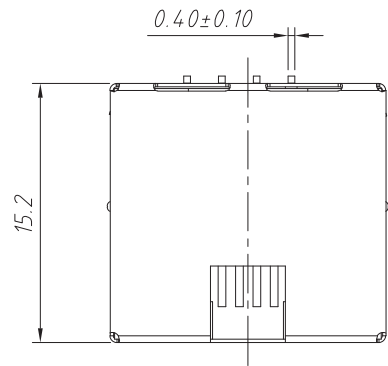
Recommend PCB Layout Jack Top View  
Tolerance: ±0.05mm

GENERAL TOLERANCE		ANGLE TOLERANCE		PROJECTION	Description:	
X	±0.15	X	±5°	UNITS	Modular Jack, 8P8C, SMT H=4.60mm L-KLS12-SK04	
.X	±0.03	.X	±3°	SHEET SIZE		A4
.XX	±0.05	.XX	±2°	KLS P/N:		L-KLS12-SK04

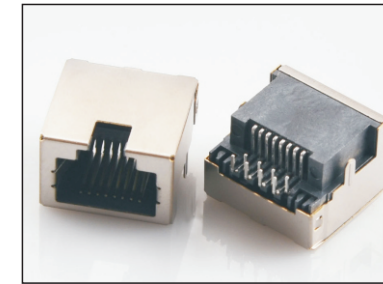
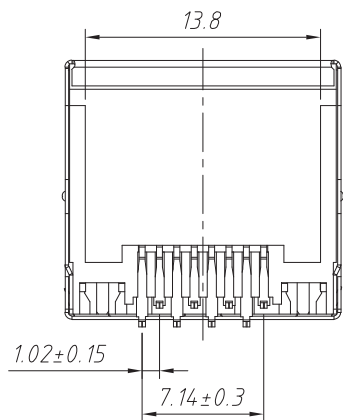
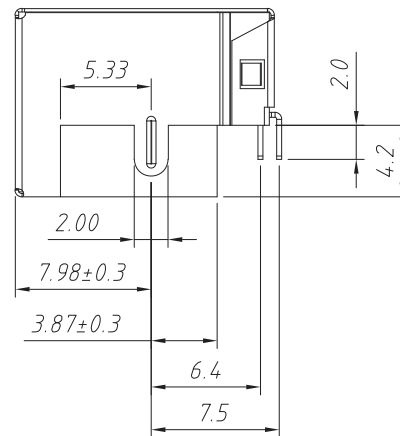
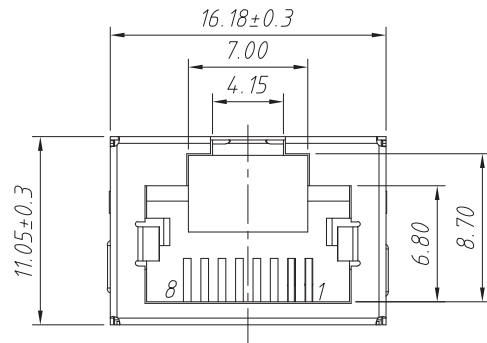
Draw by:	Jenny	Date:	2018-03-10
Check by:		Date:	2018-03-10
SCALE		SHEET	1 OF 1



NingBo KLS ELECTRONIC CO.,L TD.



Recommend PCB Layout Jack Top View  
Tolerance:±0.05mm



**MATERIAL**

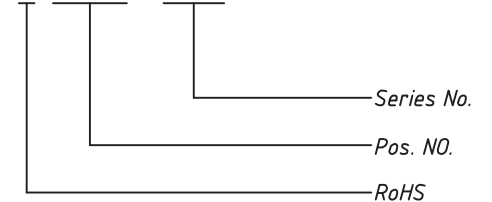
- 1.Housing:LCP,UL 94 V-0,Black
- 2.Terminal:Phosphor Bronze T=0.3mm,Au 1u"
- 3.Shielding:Brass T=0.2mm,Ni Plating

**ELECTRICAL**

- 1.Current Rating: 1.5 Amps
- 2.Voltage Rating: 150V AC
- 3.Insulation Resistance: 500MΩ Min.
- 4.Withstanding Voltage:1000V AC
- 5.Contact Resistance:40mΩ Max.
- 6.Operating Temperature: -40 °C ~ + 80° C

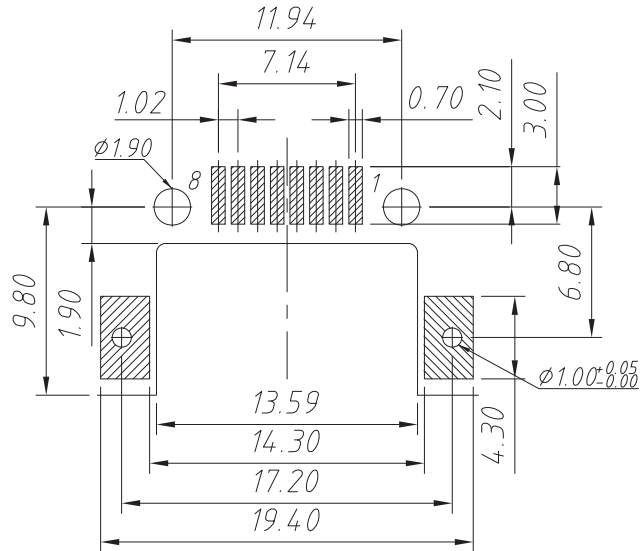
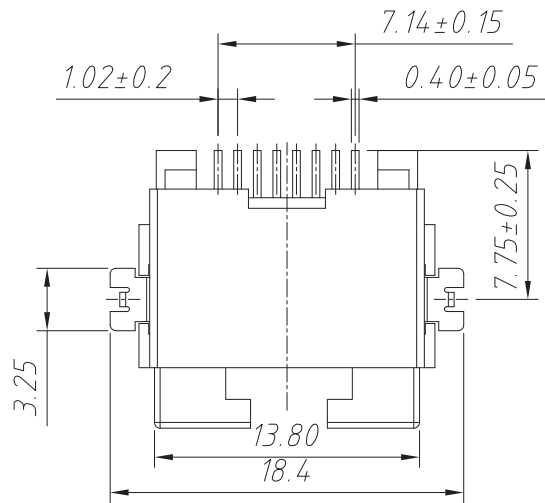
**Order Information**

L-KLS12- SK05

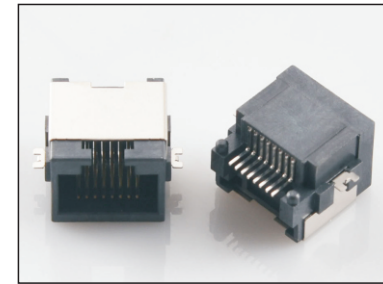
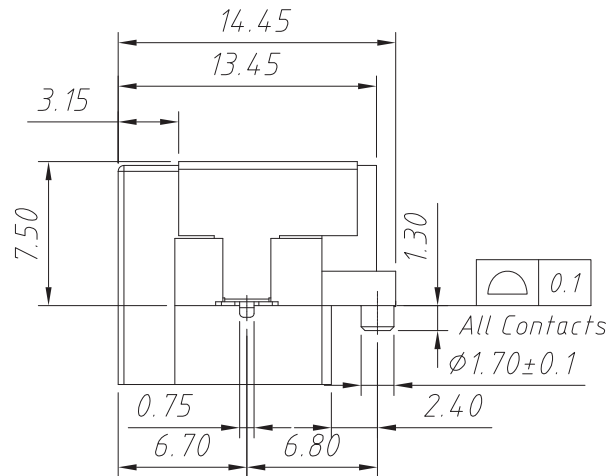
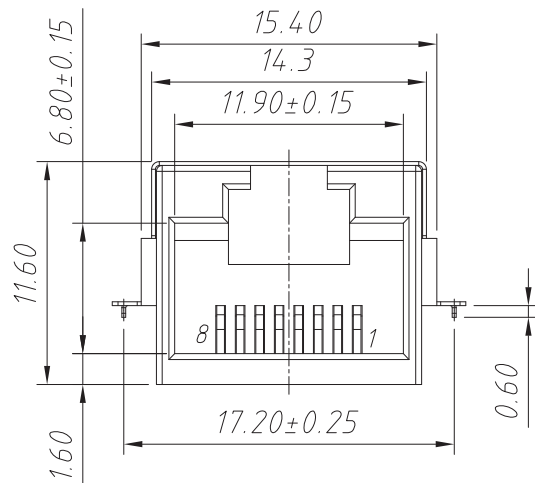


GENERAL TOLERANCE		ANGLE TOLERANCE		PROJECTION	Description:
X. ±0.15	X. ±5°	UNITS	mm		Modular Jack,8P8C, Straddle DIP
.X ±0.03	.X ±3°	SHEET SIZE	A4		
.XX ±0.05	.XX ±2°	KLS P/N:			
Draw by:	Jenny	Date:	2018-03-10		NingBo KLS ELECTRONIC CO.,L TD.
Check by:		Date:	2018-03-10		
SCALE		SHEET	1 OF 1		





Recommend PCB Layout Jack Top View  
Tolerance:  $\pm 0.05\text{mm}$



**MATERIAL**

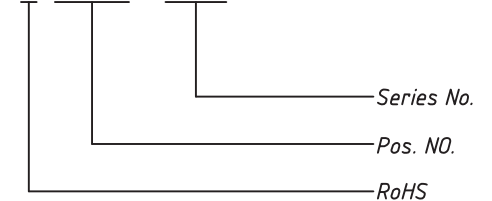
- 1.Housing:LCP+30%G.F,UL 94V-0,Black
- 2.Terminal:Phosphor Bronze T=0.3mm,Au 1u"
- 3.Shielding:Brass T=0.2mm,Ni Plating

**ELECTRICAL**

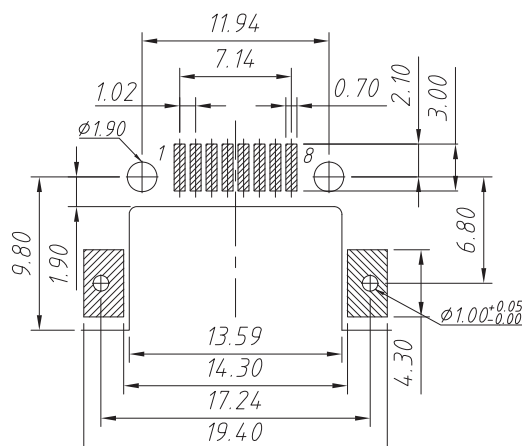
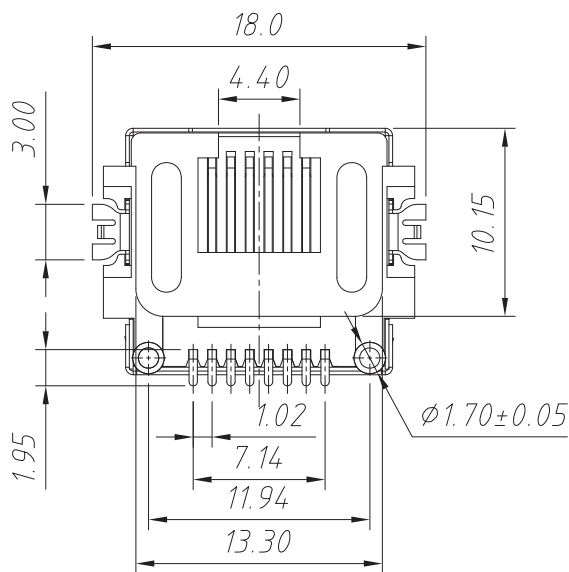
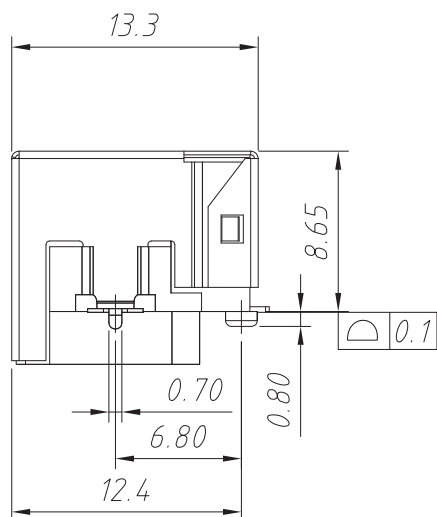
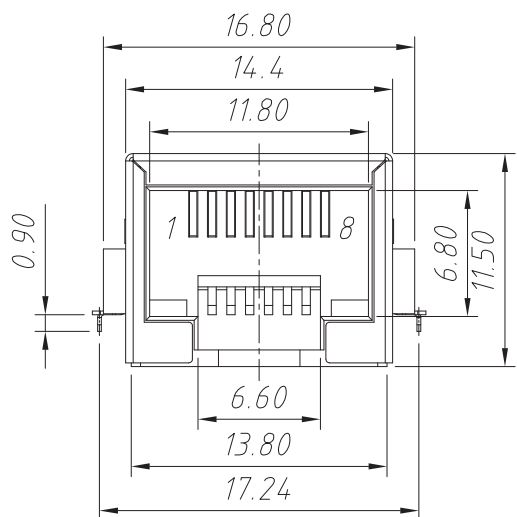
- 1.Current Rating: 1.5 Amps
- 2.Voltage Rating: 150V AC
- 3.Insulation Resistance: 500M $\Omega$  Min.
- 4.Withstanding Voltage:500V AC
- 5.Contact Resistance:40m $\Omega$  Max.
- 6.Durability:750 Mating Cycles MIN.
- 7.Operating Temperature: -40 °C ~ + 80 °C

**Order Information**

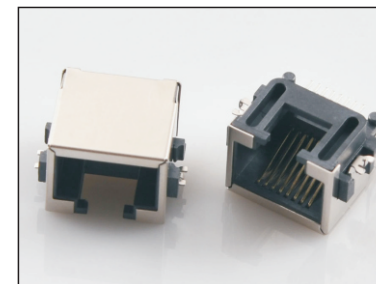
L-KLS12- SK06



GENERAL TOLERANCE		ANGLE TOLERANCE		PROJECTION	Description:	
X. $\pm 0.15$		X. $\pm 5^\circ$		UNITS	RJ45 8P8C SMT H=7.5mm Reverse	
.X $\pm 0.03$		.X $\pm 3^\circ$		SHEET SIZE		A4
.XX $\pm 0.05$		.XX $\pm 2^\circ$		KLS P/N:		L-KLS12-SK06
Draw by:	Jenny	Date:	2018-03-10		NingBo KLS ELECTRONIC CO.,L TD.	
Check by:		Date:	2018-03-10			
SCALE		SHEET	1 OF 1			



Recommend PCB Layout Jack Top View  
Tolerance: ±0.05mm



**MATERIAL**

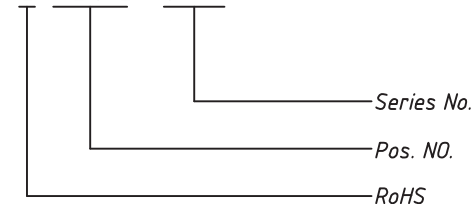
- 1.Housing:LCP,UL94V-0,Black
- 2.Terminal:Phosphor Bronze,Au 1u" Plating
- 3.Shielding:Brass,Ni Plating

**ELECTRICAL**

- 1.Current Rating: 1.5 Amps
- 2.Voltage Rating: 150V AC
- 3.Insulation Resistance: 500M $\Omega$  Min.
- 4.Withstanding Voltage:1000V AC
- 5.Contact Resistance:40m $\Omega$  Max.
- 6.Durability:750 Mating Cycles MIN.
- 7.Operating Temperature: -40 °C ~ +80 °C

**Order Information**

L-KLS12- SK07

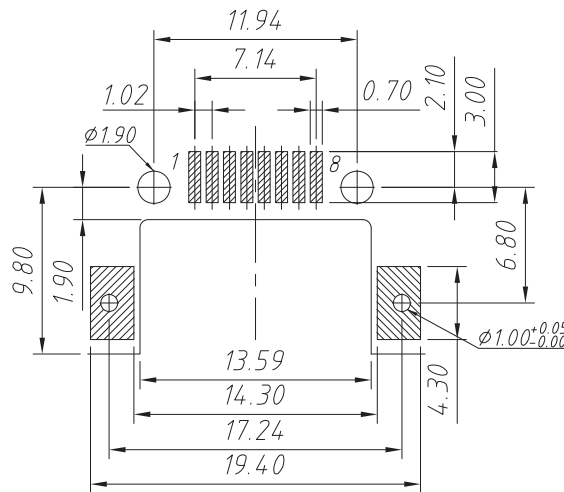
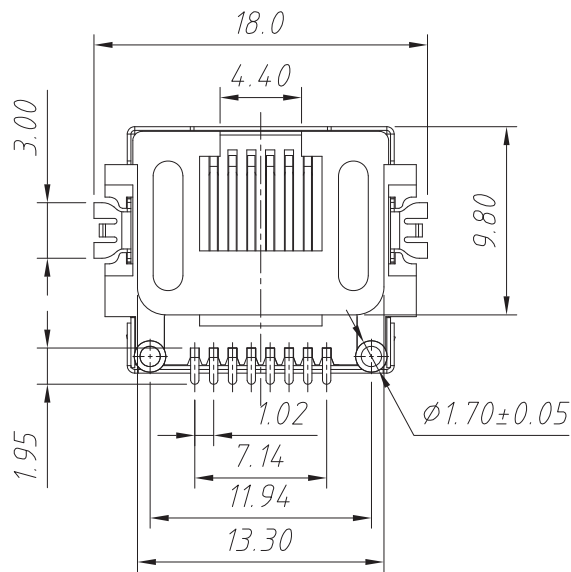
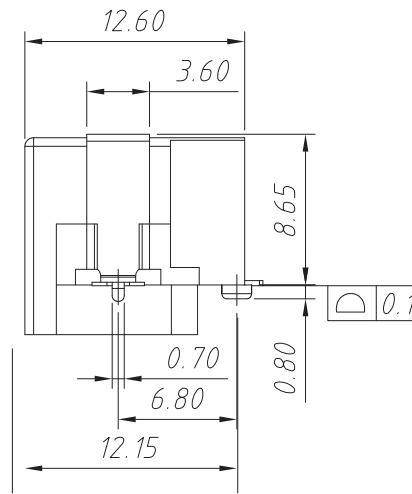
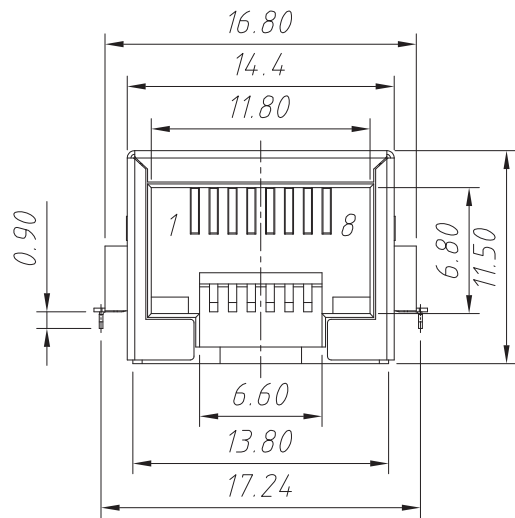


GENERAL TOLERANCE		ANGLE TOLERANCE		PROJECTION	Description:	
X. ±0.15		X. ±5°		UNITS	Modular Jack, 8P8C ,1x1 Port	
.X ±0.03		.X ±3°		SHEET SIZE		A4
.XX ±0.05		.XX ±2°		KLS P/N:		L-KLS12-SK07

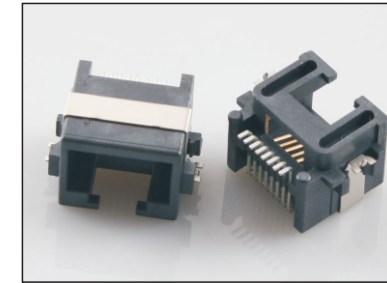
Draw by:	Jenny	Date:	2018-03-10
Check by:		Date:	2018-03-10
SCALE		SHEET	1 OF 1



NingBo KLS ELECTRONIC CO.,L TD.



Recommend PCB Layout Jack Top View  
Tolerance:  $\pm 0.05\text{mm}$



**MATERIAL**

1.Housing:LCP,UL 94V-0,Black

2.Terminal:Phosphor Bronze,Au 1u" Plating

3.Shielding:Brass,Ni Plating

**ELECTRICAL**

1.Current Rating: 1.5 Amps

2.Voltage Rating: 150V AC

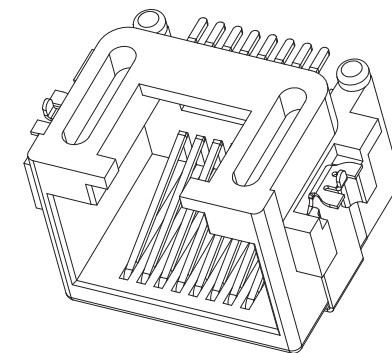
3.Insulation Resistance: 500M $\Omega$  Min.

4.Withstanding Voltage:1000V AC

5.Contact Resistance:40m $\Omega$  Max.

6.Durability:750 Mating Cycles MIN.

7.Operating Temperature:  $-40^{\circ}\text{C} \sim +80^{\circ}\text{C}$

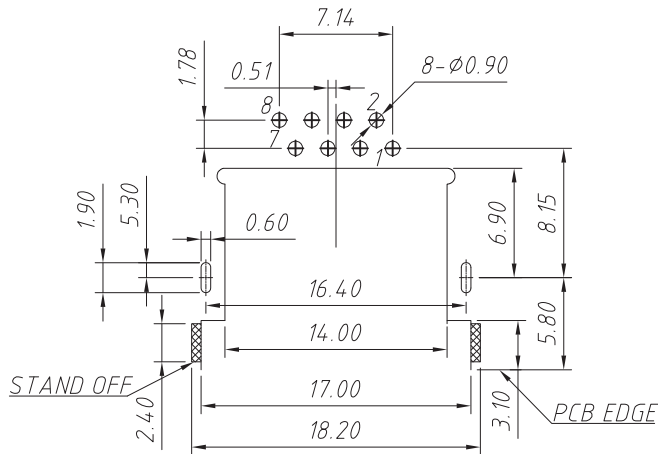
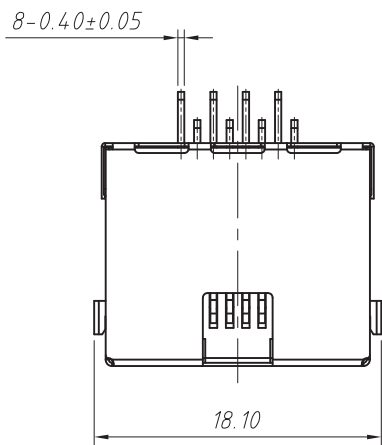


GENERAL TOLERANCE		ANGLE TOLERANCE		PROJECTION	Description:	
X. $\pm 0.15$		X. $\pm 5^{\circ}$		UNITS	Modular Jack, 8P8C, 1x1 Port	
.X $\pm 0.03$		.X $\pm 3^{\circ}$		SHEET SIZE		A4
.XX $\pm 0.05$		.XX $\pm 2^{\circ}$		KLS P/N:		L-KLS12-SK08

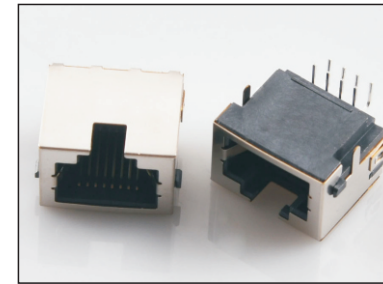
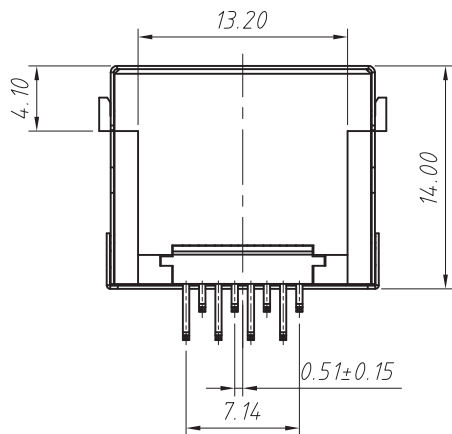
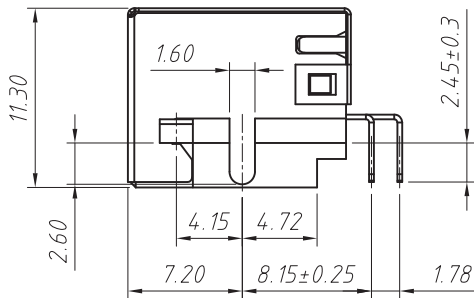
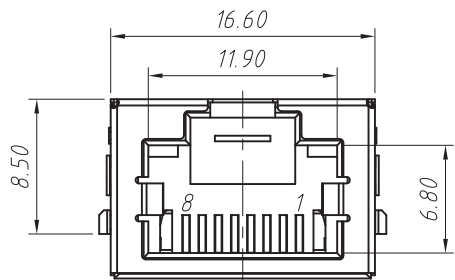
Draw by:	Jenny	Date:	2018-03-10
Check by:		Date:	2018-03-10
SCALE		SHEET	1 OF 1



NingBo KLS ELECTRONIC CO.,L TD.



Recommend PCB Layout Jack Top View  
Tolerance: ±0.05mm  
Recommend PCB Thickness: 1.6mm



#### MATERIAL

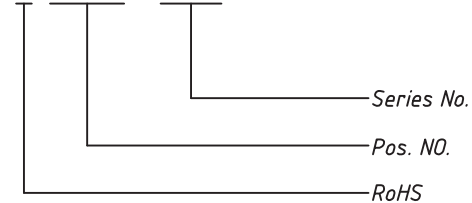
- 1.Housing:LCP,UL 94V-0,Black
- 2.Cover:LCP,UL 94V-0,Black
- 3.Terminal:Phosphor Bronze T=0.3mm,Au 1u" Plating
- 4.Shell:Brass T=0.2mm,Ni Plating

#### ELECTRICAL

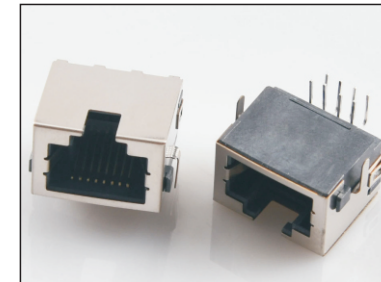
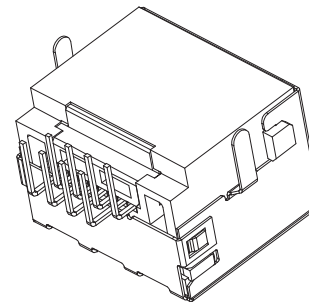
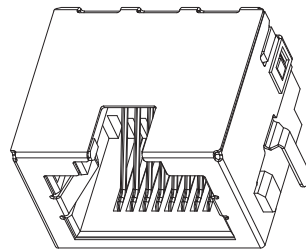
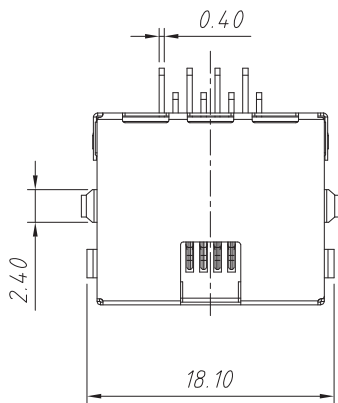
- 1.Current Rating: 1.5 Amps
- 2.Voltage Rating: 125V AC
- 3.Insulation Resistance: 500MΩ Min.
- 4.Withstanding Voltage:1000V AC RMS 50Hz or 60Hz Min.
- 5.Contact Resistance: 30MΩ Max.
- 6.Operating Temperature: -25 °C ~ + 80° C

#### Order Information

L-KLS12- SK09

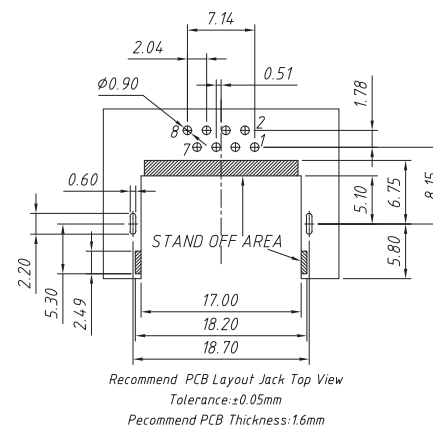
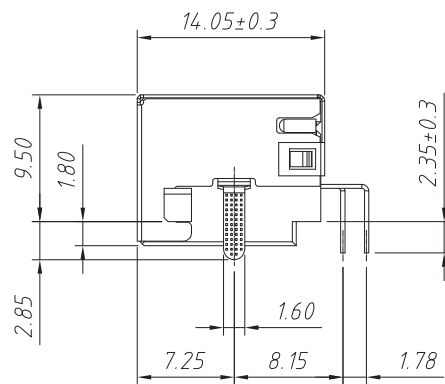
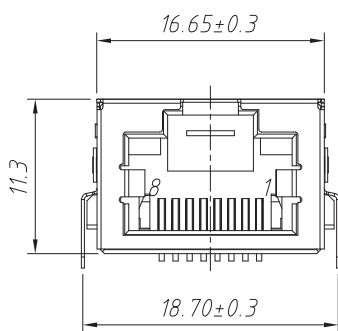


GENERAL TOLERANCE		ANGLE TOLERANCE		PROJECTION		Description:	
X	±0.15	X	±5°	UNITS	mm	RJ45 8P8C With Shell Sink Type H=2.8mm L-KLS12-SK09	
.X	±0.03	.X	±3°	SHEET SIZE	A4		
.XX	±0.05	.XX	±2°	KLS P/N:			
Draw by:	Jenny	Date:	2018-03-10	 NingBo KLS ELECTRONIC CO.,L TD.			
Check by:		Date:	2018-03-10				
SCALE		SHEET	1 OF 1				



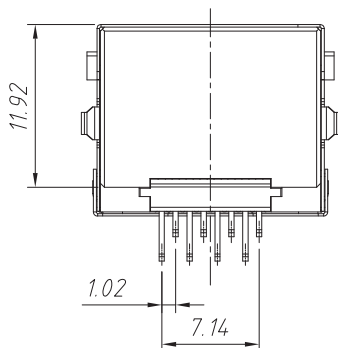
**MATERIAL**

- 1.Housing: Thermoplastic,UL 94V-0,Black
- 2.Cover: Thermoplastic,UL 94V-0,Black
- 3.Terminal:Phosphor Bronze T=0.3mm,Au 1u" Plating
- 4.Shell:Brass T=0.2mm,Ni Plating

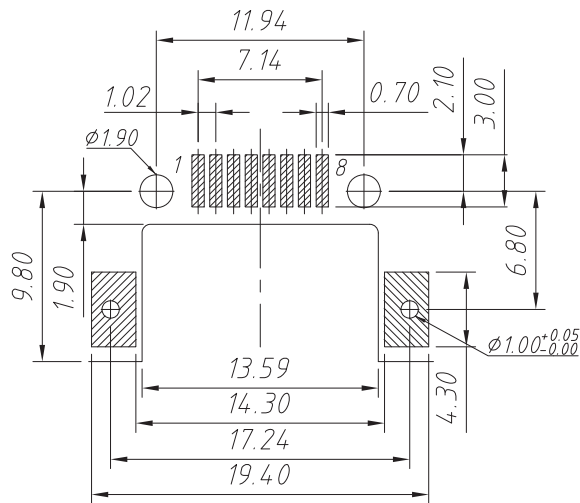
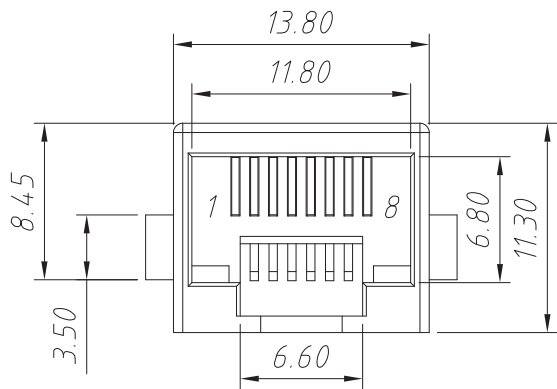
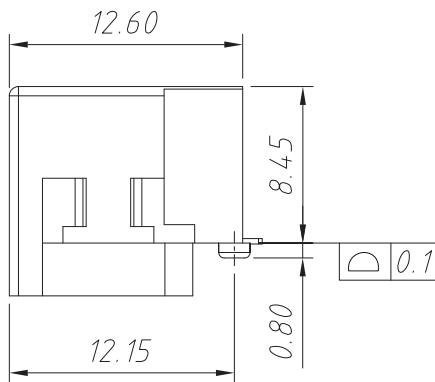
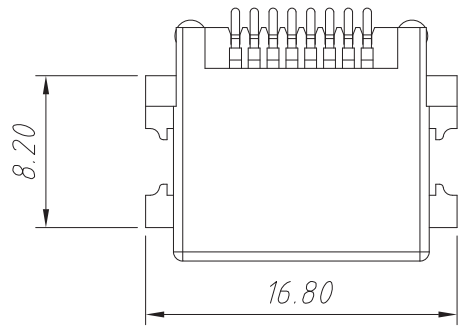


**ELECTRICAL**

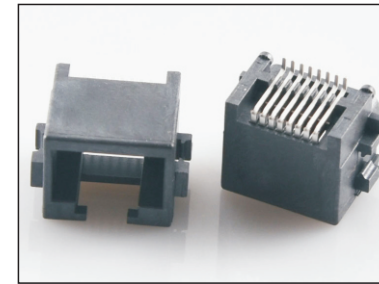
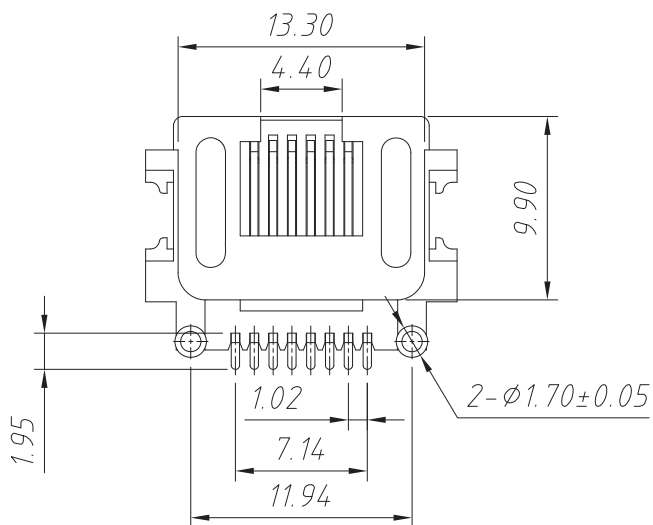
- 1.Current Rating: 1.5 Amps
- 2.Voltage Rating: 125V AC
- 3.Insulation Resistance: 500MΩ Min.
- 4.Withstanding Voltage:1000V AC RMS 50Hz or 60Hz Min.
- 5.Contact Resistance: 30MΩ Max.
- 6.Operating Temperature: -25 °C ~ + 80° C



GENERAL TOLERANCE		ANGLE TOLERANCE		PROJECTION		Description:	
X.	±0.15	X.	±5°	UNITS	mm		RJ45 8P8C With Shell Sink Type H=1.8mm L-KLS12-SK10
.X	±0.03	.X	±3°	SHEET SIZE	A4		
.XX	±0.05	.XX	±2°	KLS P/N:			
Draw by:	Jenny	Date:	2018-03-10	 NingBo KLS ELECTRONIC CO.,L TD.			
Check by:		Date:	2018-03-10				
SCALE		SHEET	1 OF 1				



Recommend PCB Layout Jack Top View  
Tolerance:  $\pm 0.05\text{mm}$



**MATERIAL**

1.Housing:LCP,UL 94V-0,Black

2.Terminal:Phosphor Bronze,Au 1u" Plating

**ELECTRICAL**

1.Current Rating: 1.5 Amps

2.Voltage Rating: 150V AC

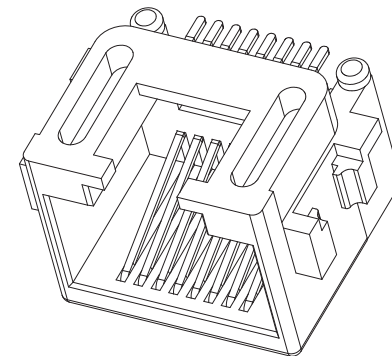
3.Insulation Resistance: 500M $\Omega$  Min.

4.Withstanding Voltage:1000V AC

5.Contact Resistance:40m $\Omega$  Max.

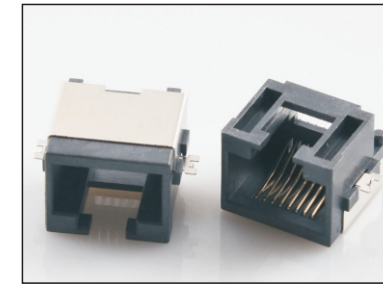
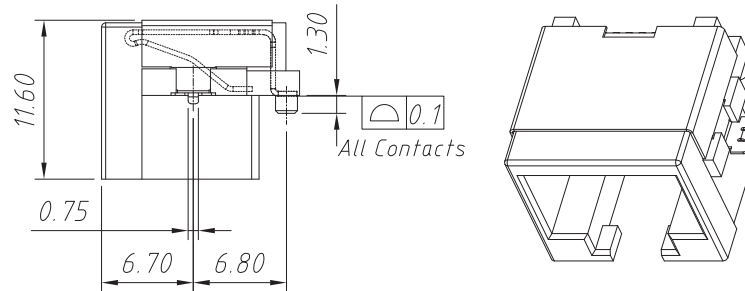
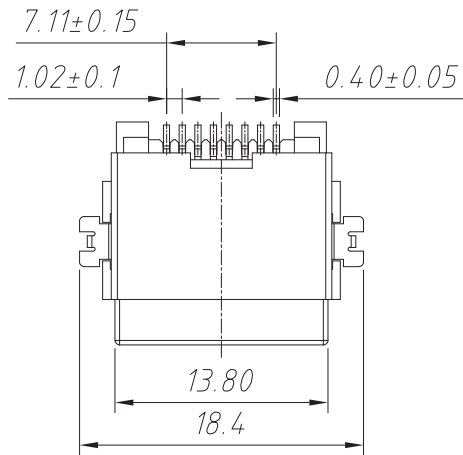
6.Durability:500 Mating Cycles MIN.

7.Operating Temperature:  $-40^{\circ}\text{C} \sim +80^{\circ}\text{C}$



GENERAL TOLERANCE		ANGLE TOLERANCE		PROJECTION		Description:	
X	$\pm 0.15$	X	$\pm 5^{\circ}$	UNITS	mm	RJ45 8P8C,Sink Type H1.8mm L-KLS12-SK11	
.X	$\pm 0.03$	.X	$\pm 3^{\circ}$	SHEET SIZE	A4		
.XX	$\pm 0.05$	.XX	$\pm 2^{\circ}$	KLS P/N:			
Draw by:	Jenny	Date:	2018-03-10	 NingBo KLS ELECTRONIC CO.,L TD.			
Check by:		Date:	2018-03-10				
SCALE		SHEET	1	OF	1		



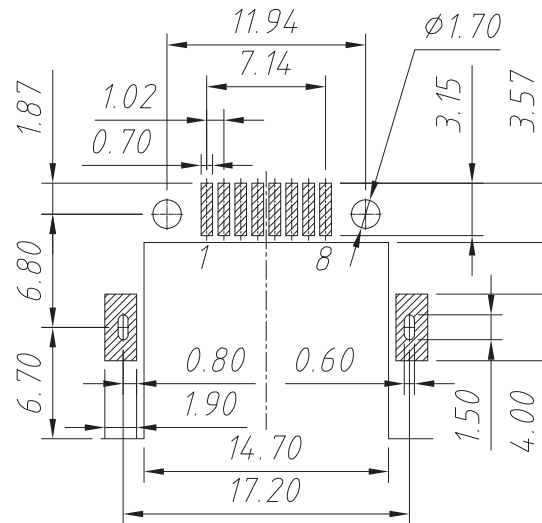
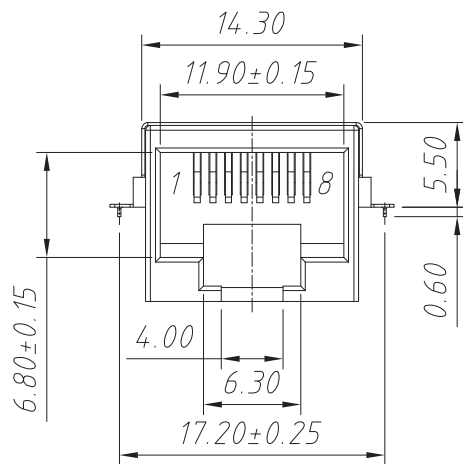


**MATERIAL**

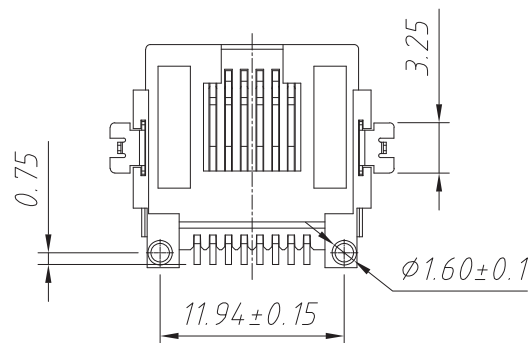
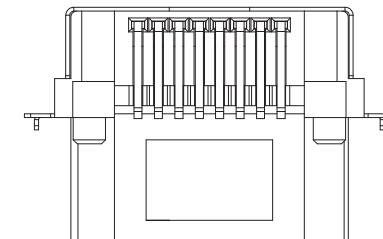
- 1.Housing:LCP+30%G.F,UL 94V-0,Black
- 2.Terminal:Phosphor Bronze,Au 1u" Plating
- 3.Shell:Brass T=0.2mm,Ni Plating

**ELECTRICAL**

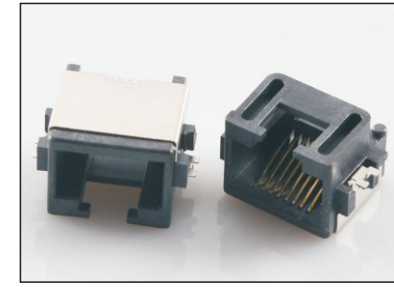
- 1.Current Rating: 1.5 Amps
- 2.Voltage Rating: 150V AC
- 3.Insulation Resistance: 500MΩ Min.
- 4.Withstanding Voltage:500V AC
- 5.Contact Resistance:40mΩ Max.
- 6.Durability:750 Mating Cycles MIN.
- 7.Operating Temperature: -40 °C ~ + 80° C



Recommend PCB Layout Jack Top View  
Tolerance:±0.05mm



GENERAL TOLERANCE		ANGLE TOLERANCE		PROJECTION	Description:
X. ±0.15	X. ±5°	UNITS	mm		RJ45 SMT,Sink Type H5.5mm
.X ±0.03	.X ±3°	SHEET SIZE	A4		
.XX ±0.05	.XX ±2°	KLS P/N:			
Draw by:	Jenny	Date:	2018-03-10		NingBo KLS ELECTRONIC CO.,L TD.
Check by:		Date:	2018-03-10		
SCALE		SHEET	1 OF 1		

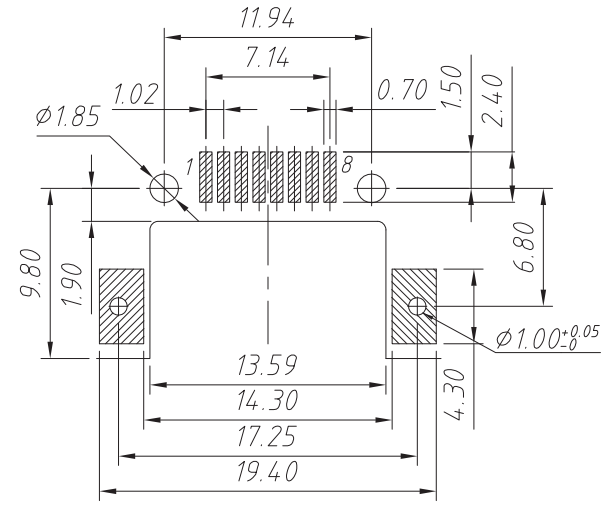
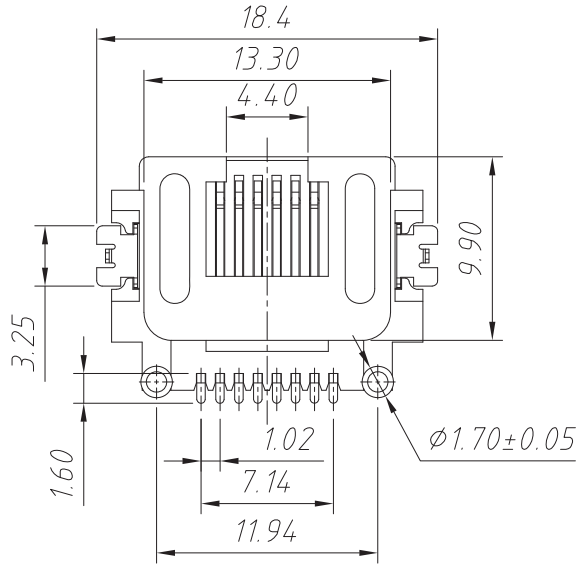
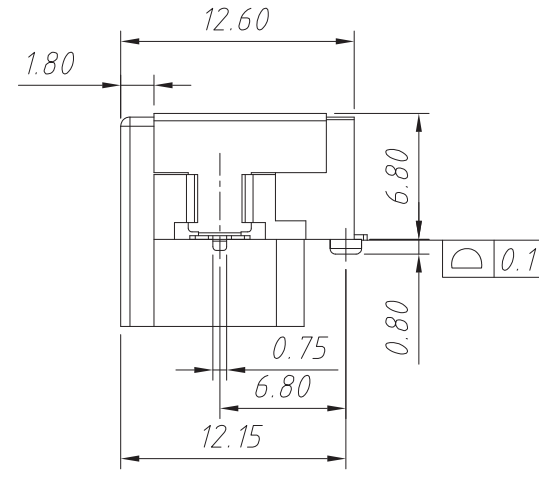
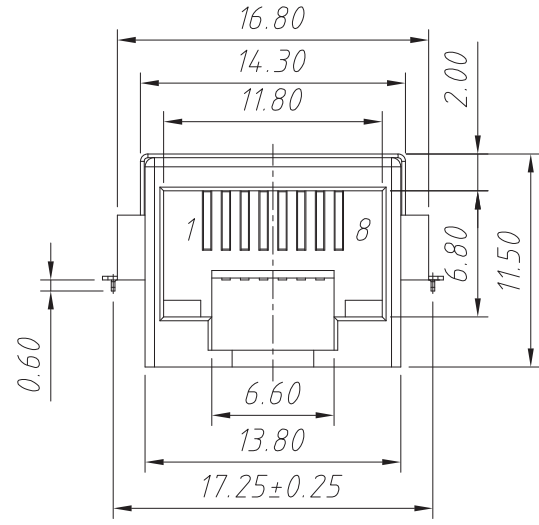


**MATERIAL**

- 1.Housing:LCP,UL 94V-0,Black
- 2.Terminal:Phosphor Bronze,Au 1u" Plating
- 3.Shielding:Brass T=0.2mm,Ni Plating

**ELECTRICAL**

- 1.Current Rating: 1.5 Amps
- 2.Voltage Rating: 150V AC
- 3.Insulation Resistance: 500M $\Omega$  Min.
- 4.Withstanding Voltage:1000V AC
- 5.Contact Resistance:40m $\Omega$  Max.
- 6.Durability:750 Mating Cycles MIN.
- 7.Operating Temperature: -40 °C ~ + 80 °C

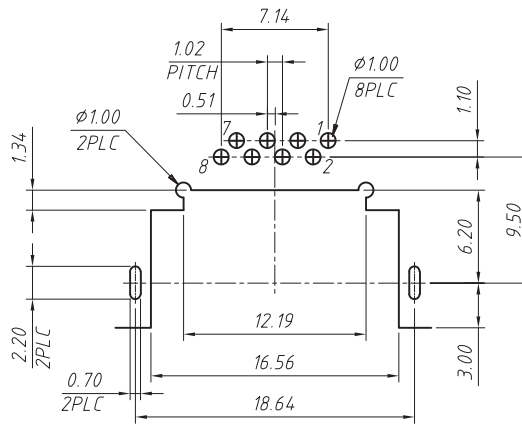
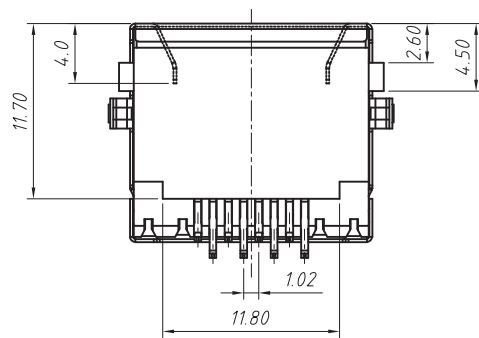
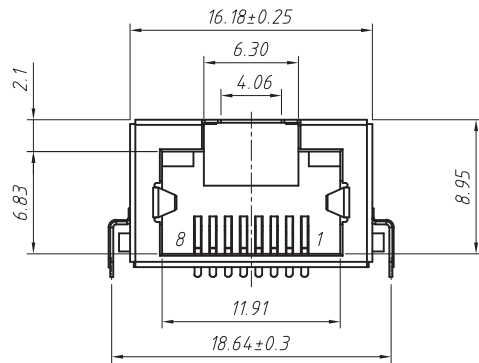
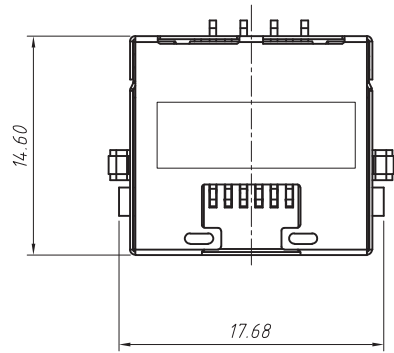


Recommend PCB Layout Jack Top View  
Tolerance:±0.05mm

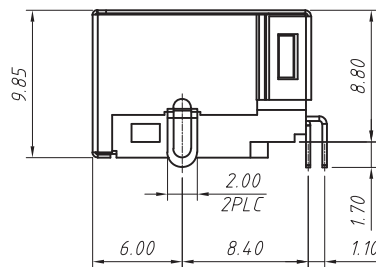
GENERAL TOLERANCE		ANGLE TOLERANCE		PROJECTION	Description:
X. ±0.15		X. ±5°		UNITS	Modular Jack, 8P8C ,1x1 Port
.X ±0.03		.X ±3°		SHEET SIZE	
.XX ±0.05		.XX ±2°		KLS P/N:	
Draw by:	Jenny	Date:	2018-03-10	L-KLS12-SK13	
Check by:		Date:	2018-03-10		
SCALE		SHEET	1 OF 1		



NingBo KLS ELECTRONIC CO.,L TD.



Recommend PCB Layout Jack Top View  
Tolerance: ±0.05mm



**MATERIAL**

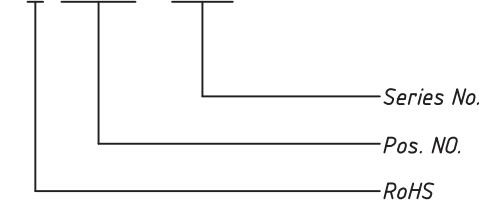
- 1.Housing:LCP+30%G.F,UL 94 V-0,Black
- 2.Terminal:Phosphor Bronze
- 3.Shell:Brass,Ni Plating

**ELECTRICAL**

- 1.Current Rating: 1.5 Amps
- 2.Voltage Rating: 125V AC
- 3.Insulation Resistance: 500MΩ Min.
- 4.Withstanding Voltage:1000V AC RMS 50Hz or 60Hz Min.
- 5.Contact Resistance: 30MΩ Max.
- 6.Durability:750 Mating Cycles
- 7.Operating Temperature: -25 °C ~ + 80 °C

**Order Information**

L-KLS12- SK01



GENERAL TOLERANCE		ANGLE TOLERANCE		PROJECTION	Description:	
X. ±0.15		X. ±5°		UNITS	RJ45 8P8C DIP SINK TYPE H8.8 Au1u"	
.X ±0.03		.X ±3°		SHEET SIZE		A4
.XX ±0.05		.XX ±2°		KLS P/N:		L-KLS12-SK01-8P8C-H8.8-01-P

Draw by:	Jenny	Date:	2018-03-10
Check by:		Date:	2018-03-10
SCALE		SHEET	1 OF 1



NingBo KLS ELECTRONIC CO.,L TD.