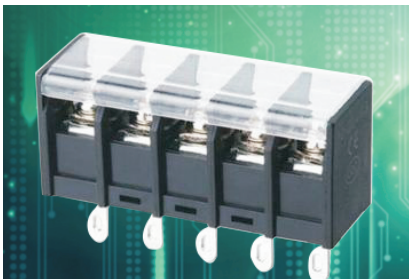
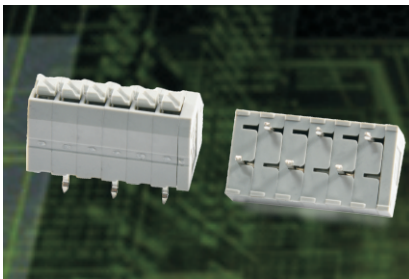
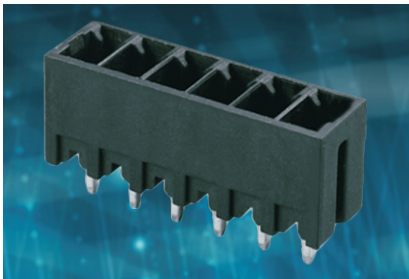
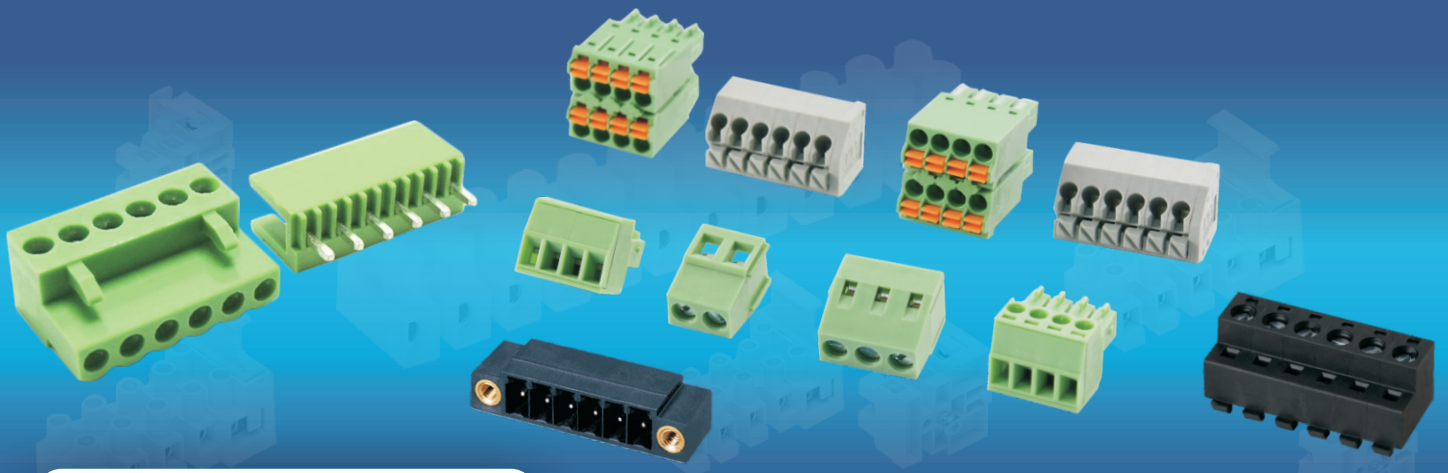




# Terminal Blocks

NINGBO KLS ELECTRONIC CO.,LTD.



[www.klsele.com](http://www.klsele.com)  
Tel:0086-574-86828566  
Email:sales@cnkls.com

# COMPANY PROFILE

## KLS ELECTRONIC CO; LTD

Your Best Electronic Components Sourcing!

KLS Electronic Co., Ltd. was founded in 2002.

KLS is a comprehensive trade enterprise with import and export of electronic products in China. The main business line of the company include importing and exporting of electronic, elements and products, processing with supplied materials, samples and blueprints, sales & purchase agents, Searching for customer non-standard goods amongst vast products data sheet.

KLS has been adhering to the principle of serving the customers with high-quality electronics products, which 80% of products have UL, CSA, VDE, CE and ROHS certificate. By strengthening the operation and management and placing equal emphasis on marketing process, our assistant of good service, KLS has gained customers from USA, RUSSIA, UK, BRAZIL, SWEDEN ETC.....

KLS memo is "Meet customers need with best price and best quality!"

Each year we attended four to five Electronic exhibitions all over the world for introduce. You are searching for creditable and professional supplier to work with; we are also looking for sincerely and long-term customers.

Once we find each other, we could make rapid progress together!

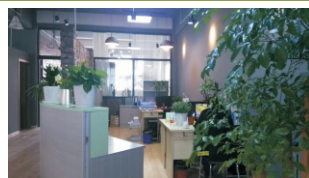
Since from 2015 KLS invested the production line of Ethernet connectors and LED connectors . In 2017 , KLS invested SMT assembly production line and started to provide EMS service



G/M-  
LiPing Xiong

### HISTORY OF KLS

- 2002: KLS was established
- 2003: KLS enter Russia market first time
- 2004: KLS attend Muhich exhibition, enter Europe market
- 2005: KLS built purchase department
- 2006: Wireless products OEM project
- 2007: Power meter project OEM
- 2008: Built logistic department
- 2009: Start cable assembly department
- 2010: ISO9001:2008
- 2011: KLS new website
- 2012: Ten years of celebration
- 2013: Move to new office with warehouse
- 2014: ERP management system
- 2015: Production line Ethernet Connector
- 2015: Auto-Production line of LED Lighting Connector
- 2017: SMT assembly production line / EMS



## KLS ELECTRONIC CO.,LTD.



www.cnkls.com  
www.klsele.com

Tel: +86-0574-86828566  
Fax: +86-0574-86824882

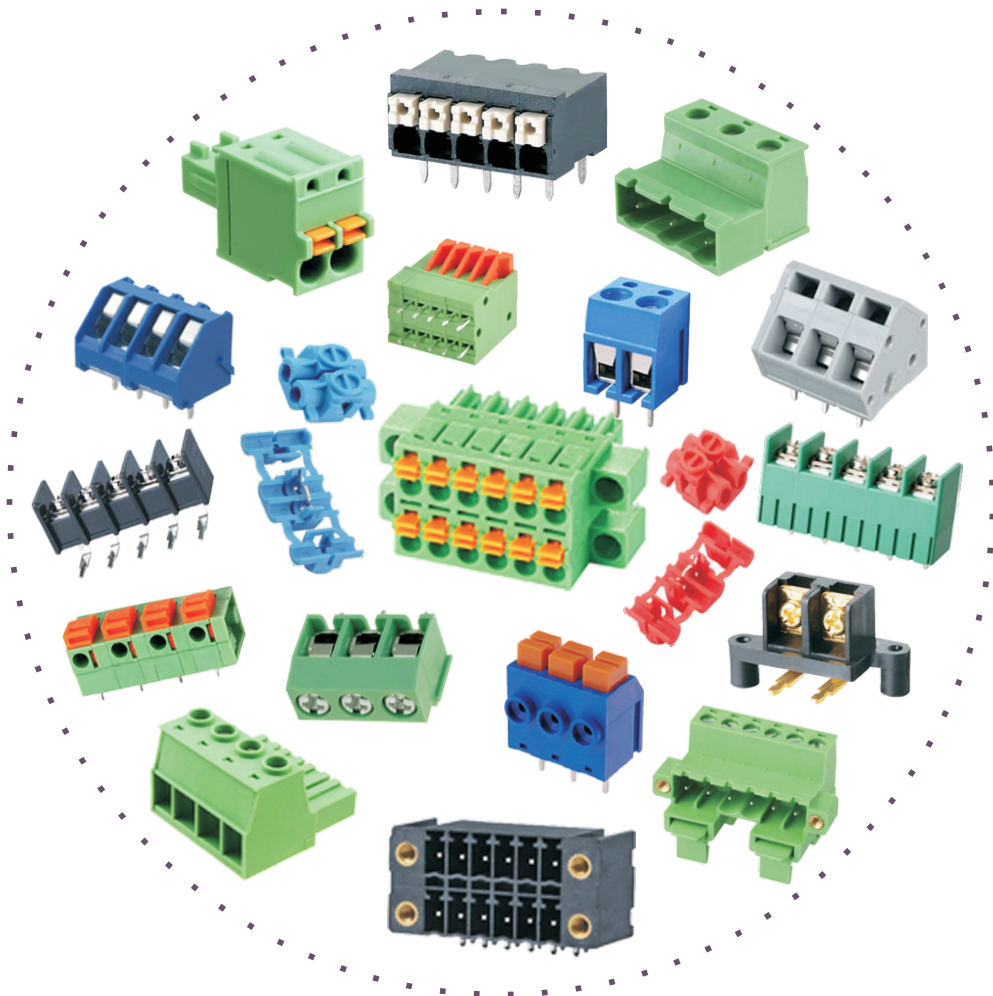


Add: NO.8-1 Rongxia Rd, Xiapu Shanqian Industrial Area Beilun Ningbo Zhejiang, China  
Postal: 315807 315800



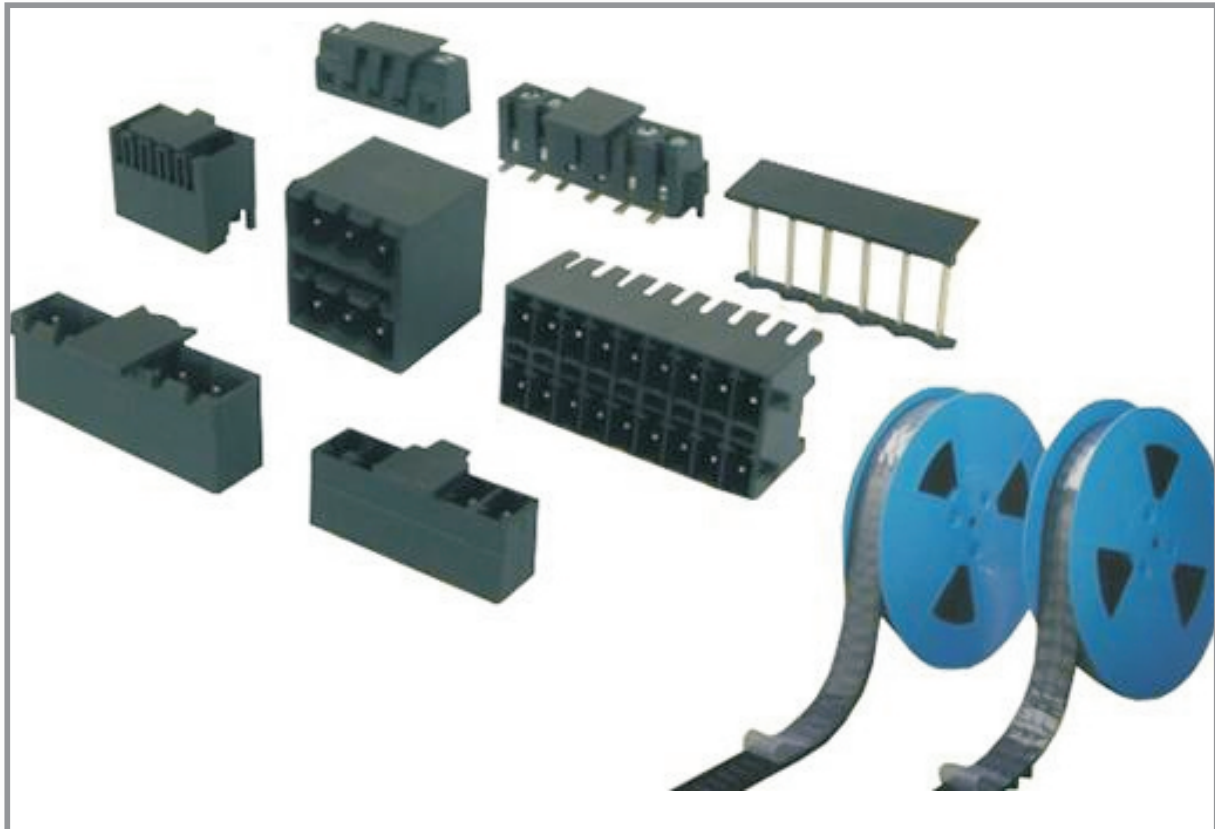
# Catalog

1-Through hole reflow & SMD.....	1
2-PCB Terminal Block :Rising clamp & wire protector.....	5
3-Pluggable Terminal Blocks.....	23
4-Spring Clamp Terminal Block.....	54
5-Barrier Terminal Blocks.....	63



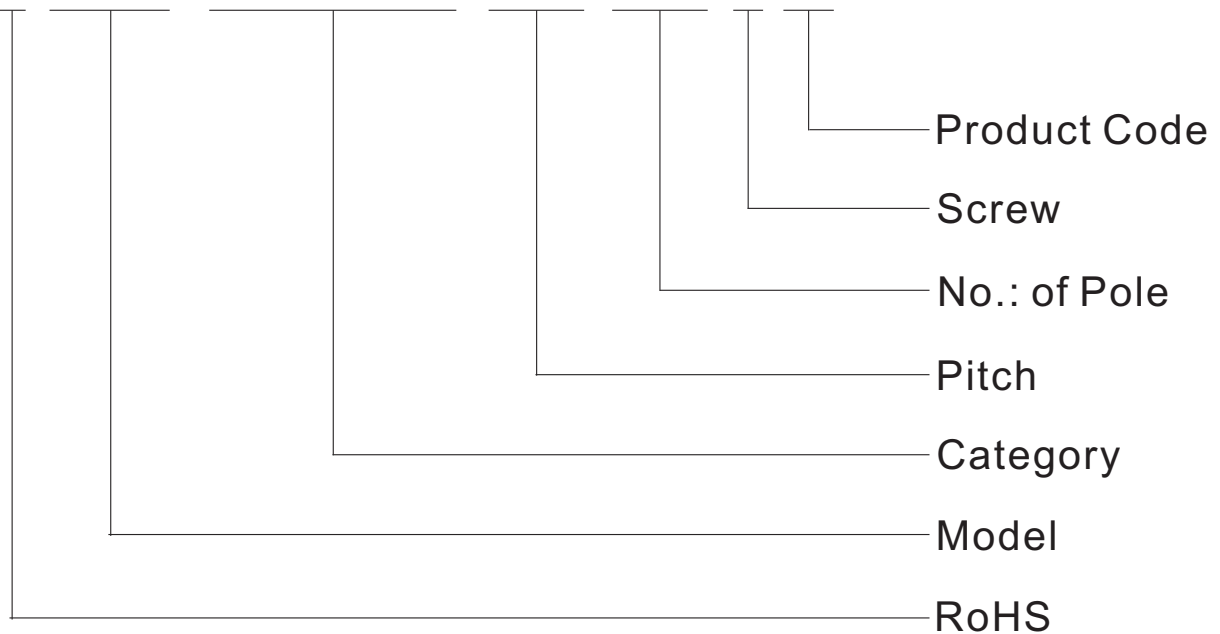


# THROUGH HOLE REFLOW & SMD



## Order Information

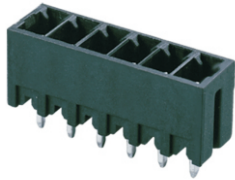
**L-KLS2- THREDRH -3.50-XXP-S 00**



# Through hole reflow & SMD

**CB RoHS ISO9001:2015**

## TERM BLOCK HDR VERT 3.50&3.81mm,THR Type



**KLS2-THREDV-3.50/3.81**

### Material

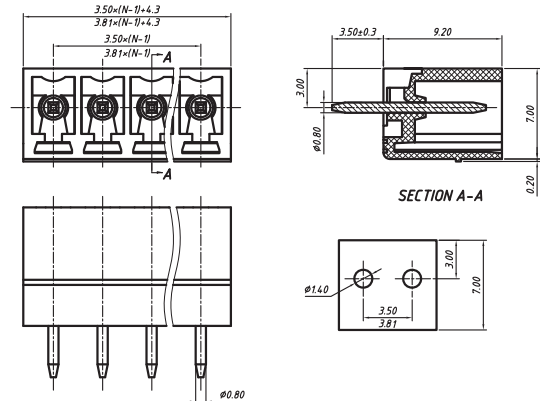
Pin header:Brass , Tin plated  
Housing: LCP or PA9T , UL94V-0,Black

### Electrical

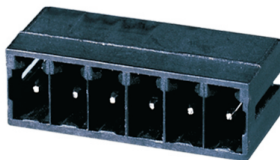
Rated voltage:300V  
Rated current:8A  
Contact Resistance: 20 m Ω  
Insulation resistance:500MΩ/DC500V  
Withstand voltage:AC2000V / 1 min

### Mechanical

Temp. Range:-40 ° C ~ + 130 ° C  
Soldering: 285° C±5° C for 10S



## TERM BLOCK HDR 90 DEG 3.50&3.81mm,THR



**KLS2-THREDR-3.50/3.81**

### Material

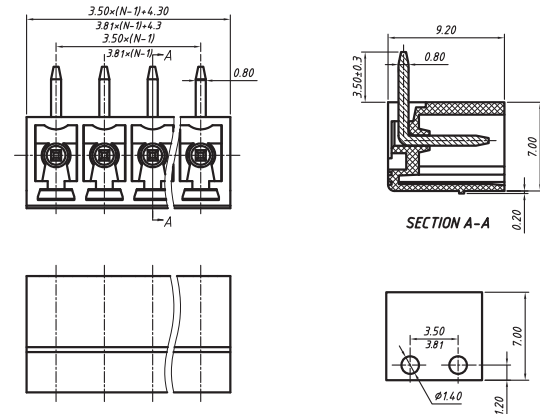
Pin header:Brass , Tin plated  
Housing: LCP or PA9T , UL94V-0,Black

### Electrical

Rated voltage:300V  
Rated current:8A  
Contact Resistance:20 m Ω  
Insulation resistance:500MΩ/DC500V  
Withstand voltage:AC2000V / 1 min

### Mechanical

Temp. Range:-40 ° C ~ + 130 ° C  
Soldering:285° C±5° C for 10S



## TERM BLOCK HDR VERT 3.50&3.81mm,THR Type



**KLS2-THREDVM-3.50/3.81**

### Material

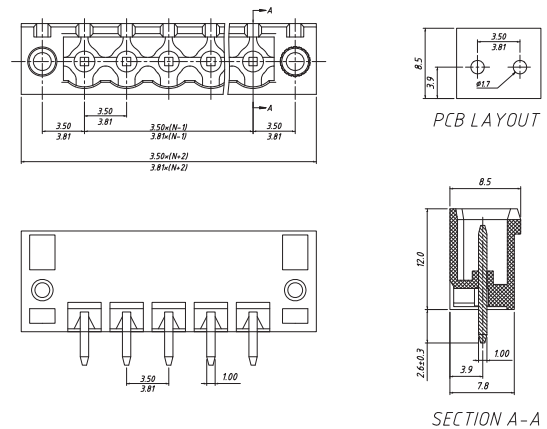
Nut:M2.5, Brass  
Pin header:Brass , Tin plated  
Housing:LCP or PA9T , UL94V-0,Black

### Electrical

Rated voltage:300V  
Rated current:15A  
Contact Resistance: 20 m Ω  
Insulation resistance: 500MΩ/DC500V  
Withstand voltage:AC2000V / 1 min

### Mechanical

Temp. Range: -40 ° C ~ + 130 ° C  
Soldering: 285° C±5° C for 10S



## TERM BLOCK HDR 90 DEG 3.50&3.81mm,THR Type



**KLS2-THREDRM-3.50/3.81**

### Material

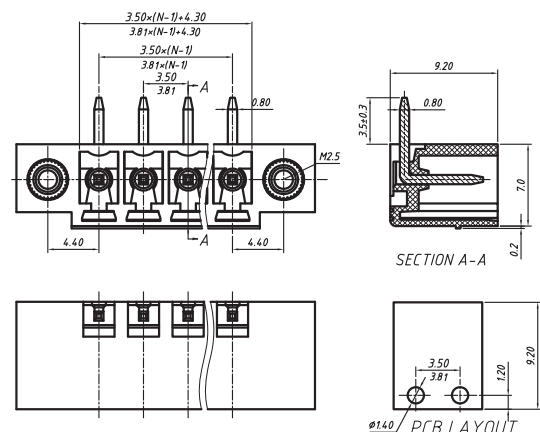
Nut:M2.5, Brass  
Pin header:Brass , Tin plated  
Housing:LCP or PA9T , UL94V-0,Black

### Electrical

Rated voltage:300V  
Rated current:15A  
Contact Resistance: 20 m Ω  
Insulation resistance: 500MΩ/DC500V  
Withstand voltage:AC2000V / 1 min

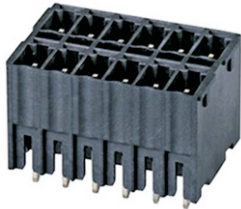
### Mechanical

Temp. Range: -40 ° C ~ + 130 ° C  
Soldering: 285° C±5° C for 10S





**TERM BLOCK HDR VERT 3.50&3.81mm,THR Type**



**KLS2-THREDVH-3.50/3.81**

**Material**

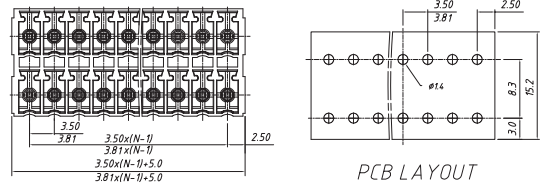
Pin header: Brass , Tin plated  
Housing:LCP , UL94V-0,Black

**Electrical**

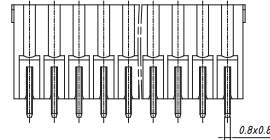
Rated voltage:300V  
Rated current:8A  
Contact Resistance: 20 m Ω  
Insulation resistance:500MΩ/DC500V  
Withstand voltage:AC2000V / 1 min

**Mechanical**

Temp. Range: -40 ° C ~ + 130 ° C  
Soldering: 285° C±5° C for 10S



PCB LAYOUT



SECTION A-A

**TERM BLOCK HDR 90 DEG 3.50&3.81mm,THR Type**



**KLS2-THREDRH-3.50/3.81**

**Material**

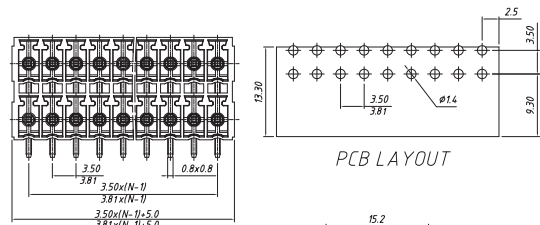
Pin header: Brass , Tin plated  
Housing:LCP , UL94V-0,Black

**Electrical**

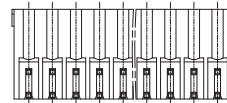
Rated voltage:300V  
Rated current:8A  
Contact Resistance: 20 m Ω  
Insulation resistance:500MΩ/DC500V  
Withstand voltage:AC2000V / 1 min

**Mechanical**

Temp. Range: -40 ° C ~ + 130 ° C  
Soldering: 285° C±5° C for 10S



PCB LAYOUT



SECTION A-A

**TERM BLOCK HDR VERT 3.50&3.81mm,THR Type**



**KLS2-THREDVHM-3.50/3.81**

**Material**

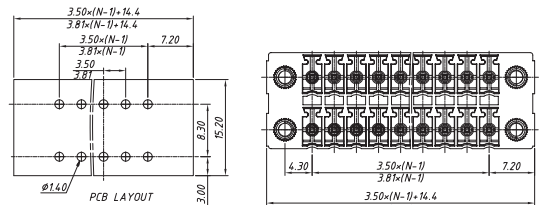
Nut:M2.5, Brass  
Pin header:Brass , Tin plated  
Housing:LCP , UL94V-0,Black

**Electrical**

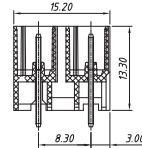
Rated voltage:300V  
Rated current:15A  
Contact Resistance: 20 m Ω  
Insulation resistance: 500MΩ/DC500V  
Withstand voltage:AC2000V / 1 min

**Mechanical**

Temp. Range: -40 ° C ~ + 130 ° C  
Soldering: 285° C±5° C for 10S

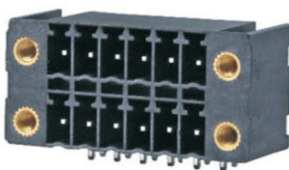


PCB LAYOUT



SECTION A-A

**TERM BLOCK HDR 90 DEG 3.50&3.81mm,THR Type**



**KLS2-THREDRHM-3.50/3.81**

**Material**

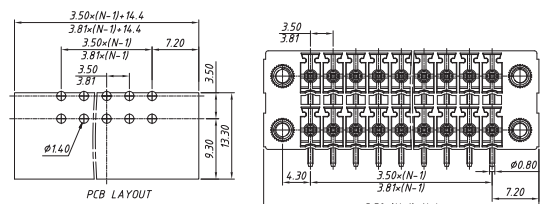
Nut:M2.5, Brass  
Pin header:Brass , Tin plated  
Housing:LCP , UL94V-0,Black

**Electrical**

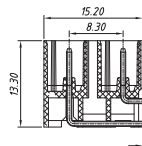
Rated voltage:300V  
Rated current:15A  
Contact Resistance: 20 m Ω  
Insulation resistance: 500MΩ/DC500V  
Withstand voltage:AC2000V / 1 min

**Mechanical**

Temp. Range: -40 ° C ~ + 130 ° C  
Soldering: 285° C±5° C for 10S



PCB LAYOUT

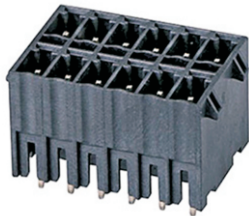


SECTION A-A

# Through hole reflow & SMD

**CB RoHS ISO9001:2015**

## TERM BLOCK HDR VERT 3.50&3.81mm,THR Type

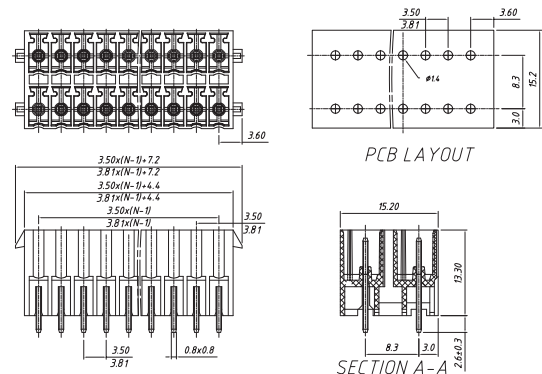


**KLS2-THREDVN-3.50/3.81**

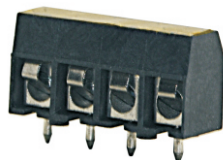
**Material**  
 Pin header: Brass , Tin plated  
 Housing:LCP , UL94V-0,Black

**Electrical**  
 Rated voltage:300V  
 Rated current:8A  
 Contact Resistance: 20 m Ω  
 Insulation resistance:500MΩ/DC500V  
 Withstand voltage:AC2000V / 1 min

**Mechanical**  
 Temp. Range: -40 ° C ~ + 130 ° C  
 Soldering: 285° C±5° C for 10S



## CONN TERM BLK 5.00mm,THR Type

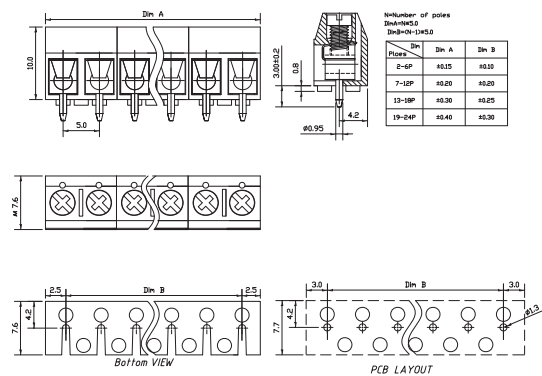


**KLS2-THR301-5.00**

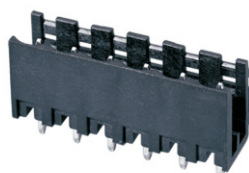
**Material**  
 Screw:M2.5, Steel,Zn plated  
 Shrapnel:Stainless steel  
 Pin header:Brass, Tin plated  
 Housing:LCP, UL94V-0

**Electrical**  
 Rated voltage:300V  
 Rated current:16A  
 Wire range:22~14AWG 1.5mm<sup>2</sup>  
 Contact Resistance: 20 m Ω  
 Insulation resistance:1MΩ  
 Withstand voltage: AC1600V / 1 min

**Mechanical**  
 Temp. Range: -40 ° C ~ + 115 ° C  
 Soldering:265 ° C 5Sec. Max.  
 Torque:0.4 N.m (3.5Lb. in)  
 Strip length:5~6 mm



## TERM BLOCK HDR VERT 5.08mm,THR Type

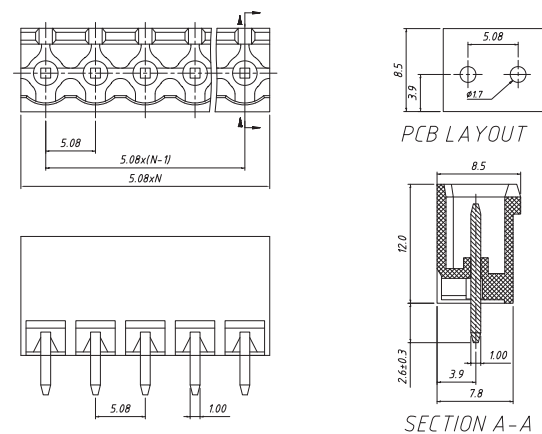


**KLS2-THREDV-5.08**

**Material**  
 Pin header: Brass , Tin plated  
 Housing:LCP, UL94V-0,Black

**Electrical**  
 Rated voltage:300V  
 Rated current:15A  
 Contact Resistance: 20 m Ω  
 Insulation resistance:500MΩ/DC500V  
 Withstand voltage: AC2000V / 1 min

**Mechanical**  
 Temp. Range: -40 ° C ~ + 130 ° C  
 Soldering:285° C±5° C for 10S



## TERM BLOCK HDR 90 DEG 5.08mm,THR Type

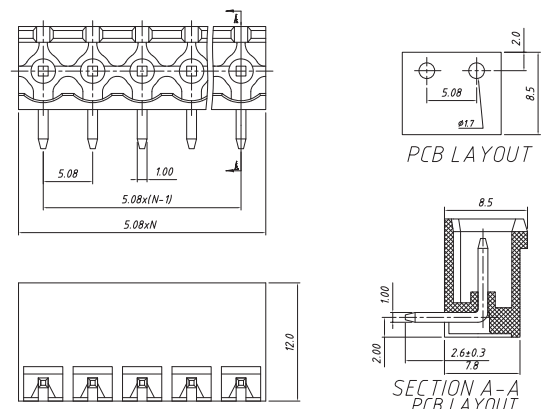


**KLS2-THREDR-5.08**

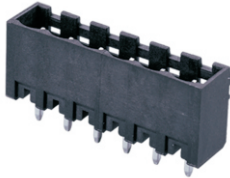
**Material**  
 Pin header: Brass , Tin plated  
 Housing: LCP , UL94V-0,Black

**Electrical**  
 Rated voltage:300V  
 Rated current:15A  
 Contact Resistance: 20 m Ω  
 Insulation resistance:500MΩ/DC500V  
 Withstand voltage: AC2000V / 1 min

**Mechanical**  
 Temp. Range: -40 ° C ~ + 130 ° C  
 Soldering:285° C±5° C for 10S



## TERM BLOCK HDR VERT 5.08mm,THR Type



KLS2-THREDVC-5.08

**Material**

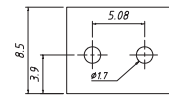
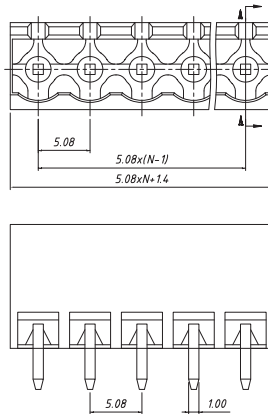
Pin header:Brass , Tin plated  
Housing: LCP , UL94V-0,Black

**Electrical**

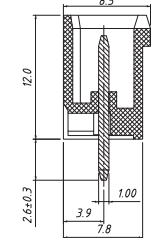
Rated voltage:300V  
Rated current:15A  
Contact Resistance: 20 m Ω  
Insulation resistance:500MΩ/DC500V  
Withstand voltage: AC2000V / 1 min

**Mechanical**

Temp. Range: -40 ° C ~ + 130 ° C  
Soldering:285° C±5° C for 10S



PCB LAYOUT



SECTION A-A

## TERM BLOCK HDR 90 DEG 5.08mm,THR Type



KLS2-THREDRC-5.08

**Material**

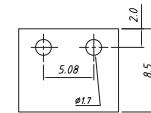
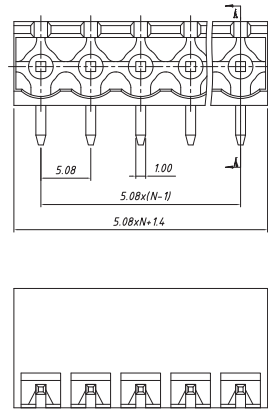
Pin header:Brass , Tin plated  
Housing: LCP , UL94V-0,Black

**Electrical**

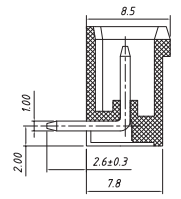
Rated voltage:300V  
Rated current:15A  
Contact Resistance: 20 m Ω  
Insulation resistance:500MΩ/DC500V  
Withstand voltage: AC2000V / 1 min

**Mechanical**

Temp. Range: -40 ° C ~ + 130 ° C  
Soldering:285° C±5° C for 10S



PCB LAYOUT



SECTION A-A

## TERM BLOCK HDR VERT 5.08mm,THR Type



KLS2-THREDVM-5.08

**Material**

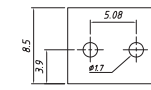
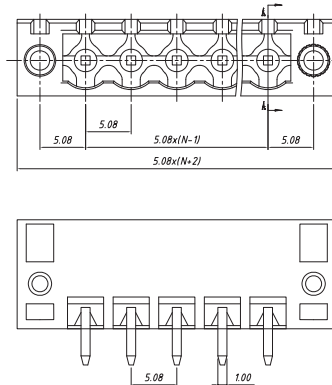
Nut:M2.5, Brass  
Pin header:Brass , Tin plated  
Housing:LCP, UL94V-0,Black

**Electrical**

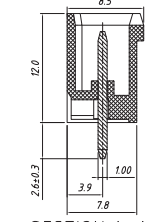
Rated voltage:300V  
Rated current:15A  
Contact Resistance:20 m Ω  
Insulation resistance: 500MΩ/DC500V  
Withstand voltage:AC2000V / 1 min

**Mechanical**

Temp. Range: -40 ° C ~ + 130 ° C  
Soldering: 285° C±5° C for 10S



PCB LAYOUT



SECTION A-A

## TERM BLOCK HDR 90 DEG 5.08mm,THR Type



KLS2-THREDRM-5.08

**Material**

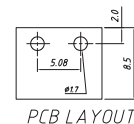
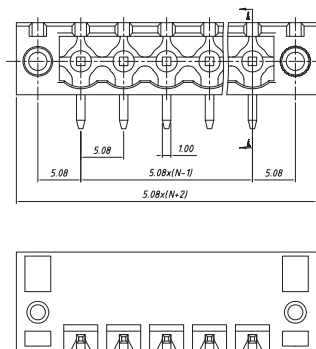
Nut:M2.5, Brass  
Pin header:Brass , Tin plated  
Housing:LCP, UL94V-0,Black

**Electrical**

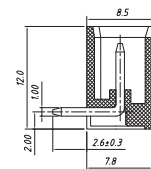
Rated voltage:300V  
Rated current:15A  
Contact Resistance:20 m Ω  
Insulation resistance: 500MΩ/DC500V  
Withstand voltage:AC2000V / 1 min

**Mechanical**

Temp. Range: -40 ° C ~ + 130 ° C  
Soldering: 285° C±5° C for 10S



PCB LAYOUT



SECTION A-A



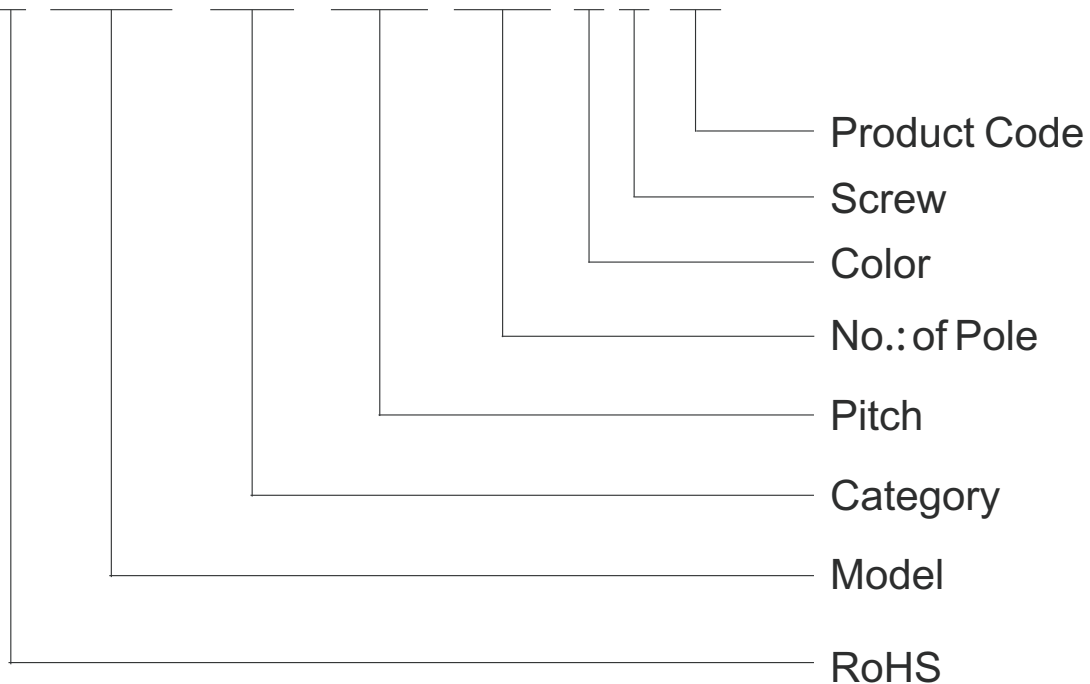


# PCB TERMINAL BLOCK: RISING CLAMP & WIRE PROTECTOR



## Order Information

L-KLS2- 128 -5.00-XXP-4 S 00



## CONN TERM BLK VERT 5.08mm PCB

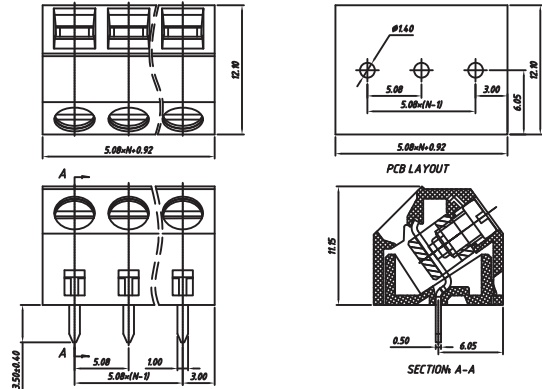


KLS2-107-5.08

**Material**  
Housing:PA66, UL94V-0  
Pin header:Brass,Tin plated  
Screw:M2.5 Steel,Zn plated  
Cage:Brass,Nickel plated

**Electrical**  
Rated voltage:300V  
Rated current:15A  
Contact Resistance:20 m Ω  
Insulation resistance:500MΩ/DC500V  
Withstand voltage:AC2000V / 1 min  
Wire range:26~14AWG 1.5mm<sup>2</sup>

**Mechanical**  
Temp. Range:-40 ° C ~ + 105 ° C  
Steip length:6-7mm  
Torque:0.4Nm(3.54Lbin)  
Soldering:250° C± 5° C for 5s



## CONN TERM BLK VERT 5.00&5.08mm PCB

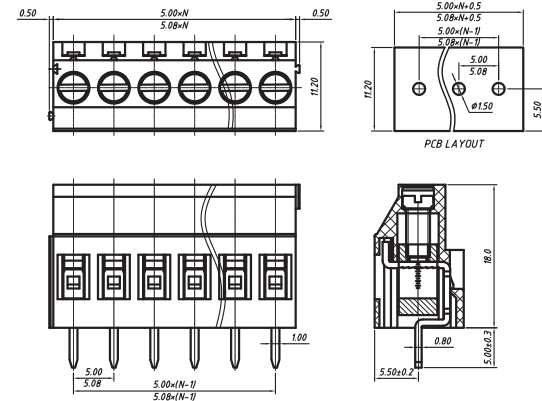


KLS2-130-5.00/5.08

**Material**  
Housing:PA66, UL94V-0  
Pin header:Brass ,Tin plated  
Screw:M3.0 Steel,Zinc plated  
Clamp:Brass,Ni plated

**Electrical**  
Rated voltage:300V  
Rated current:20A  
Contact Resistance:20 m Ω  
Insulation resistance:500MΩ/DC500V  
Withstand voltage:AC2000V / 1 min  
Wire range:26~12AWG 2.5mm<sup>2</sup>

**Mechanical**  
Temp. Range:-40 ° C ~ + 105 ° C  
Steip length:6-7mm  
Torque:0.5Nm(4.5Lbin)



## CONN TERM BLK 45 DEG 5.00mm PCB

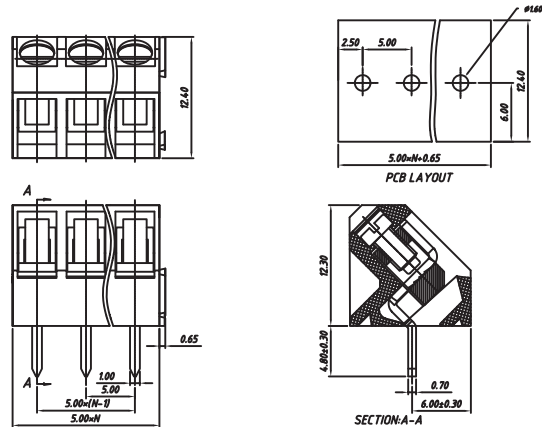


KLS2-102-5.00

**Material**  
Housing:PA66, UL94V-0  
Pin header:Brass,Tin plated  
Screw:M2.5 Steel,Zn plated  
Cage:Brass,Nickel plated

**Electrical**  
Rated voltage:300V  
Rated current:15A  
Contact Resistance:20 m Ω  
Insulation resistance:500MΩ/DC500V  
Withstand voltage:AC2000V / 1 min  
Wire range:22~14AWG 1.5mm<sup>2</sup>

**Mechanical**  
Temp. Range:-40 ° C ~ + 105 ° C  
Steip length:6-7mm  
Torque:0.4Nm(3.54Lbin)  
Soldering:250° C± 5° C for 5s



## CONN TERM BLK 45 DEG 5.00mm PCB

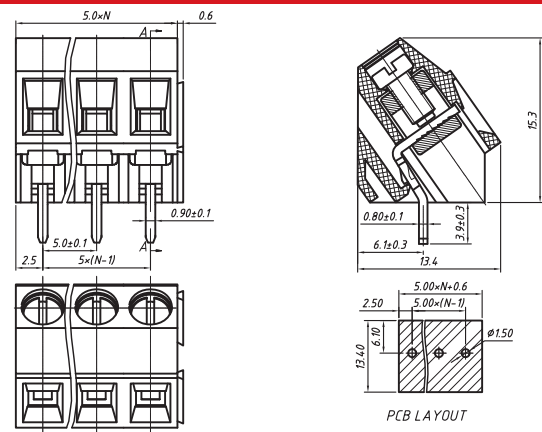


KLS2-103-5.00

**Material**  
Housing:PA66, UL94V-0  
Pin header:Brass 0.8t,Tin plated  
Screw:M2.5 Steel,Zn plated  
Cage:Brass,Nickel plated

**Electrical**  
Rated voltage:300V  
Rated current:10A  
Contact Resistance:20 m Ω  
Insulation resistance:500MΩ/DC500V  
Withstand voltage:AC2000V / 1 min  
Wire range:24~12AWG 2.5mm<sup>2</sup>

**Mechanical**  
Temp. Range:-40 ° C ~ + 105 ° C  
Steip length:6-7mm  
Torque:0.4Nm(3.54Lbin)



# PCB Terminal Block: Rising clamp & wire protector

**KLS**  
electronic

CE RoHS ISO9001:2015

## CONN TERM BLK VERT 2.54mm PCB

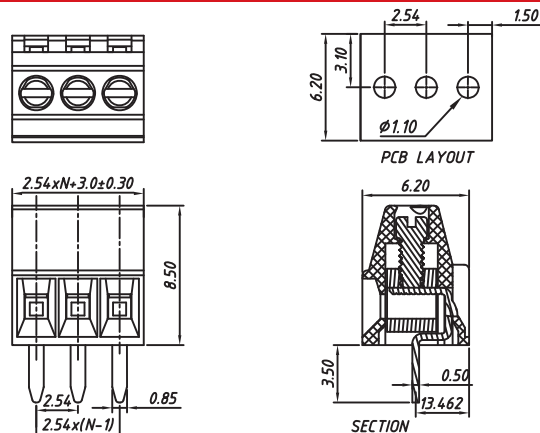


KLS2-308V-2.54

**Material**  
Housing:PA66, UL94V-0, Green  
Pin header:Brass ,Tin plated  
Screw:M1.5 Steel,Zn plated  
Cage:Brass,Nickel plated

**Electrical**  
Rated voltage:125V  
Rated current:6A  
Contact Resistance:20 m Ω  
Insulation resistance:500MΩ/DC500V  
Withstand voltage:AC1250V / 1 min  
Wire range:28~18AWG 1.0mm<sup>2</sup>

**Mechanical**  
Temp. Range:-40 ° C ~ + 105 ° C  
Steip length:3.7-4.7mm  
Torque:0.45Nm(1.3Lbin)  
Soldering:250° C ± 5° C for 5s



## CONN TERM BLK VERT 5.00&5.08mm PCB

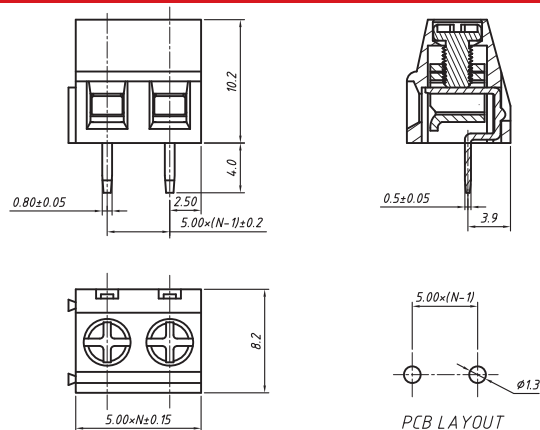


KLS2-127-5.00/5.08

**Material**  
Housing:PA66, UL94V-0  
Pin header:Brass ,Tin plated  
Screw:M2.5 Steel,Zinc plated  
Clamp:Brass,Ni plated

**Electrical**  
Rated voltage:300V  
Rated current:8A  
Contact Resistance:20 m Ω  
Insulation resistance:500MΩ/DC500V  
Withstand voltage:AC2000V / 1 min  
Wire range:26~16AWG 1.5mm<sup>2</sup>

**Mechanical**  
Temp. Range:-40 ° C ~ + 105 ° C  
Steip length:6-7mm  
Torque:0.4Nm(3.5Lbin)



## CONN TERM BLK VERT 5.00&5.08mm PCB

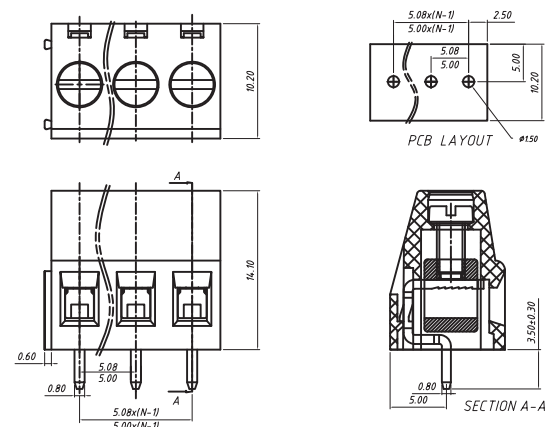


KLS2-128-5.00/5.08

**Material**  
Housing:PA66, UL94V-0  
Pin header:Brass ,Tin plated  
Screw:M2.5 Steel,Zinc plated  
Cage:Iron,Nickel plated

**Electrical**  
Rated voltage:300V  
Rated current:16A  
Contact Resistance:20 m Ω  
Insulation resistance:500MΩ/DC500V  
Withstand voltage:AC2000V / 1 min  
Wire range:22~12AWG 2.5mm<sup>2</sup>

**Mechanical**  
Temp. Range:-40 ° C ~ + 105 ° C  
Steip length:6-7mm  
Torque:0.4Nm(3.5Lbin)  
Soldering:250° C 5Sec.Max.



## CONN TERM BLK 90 DEG 5.00mm PCB

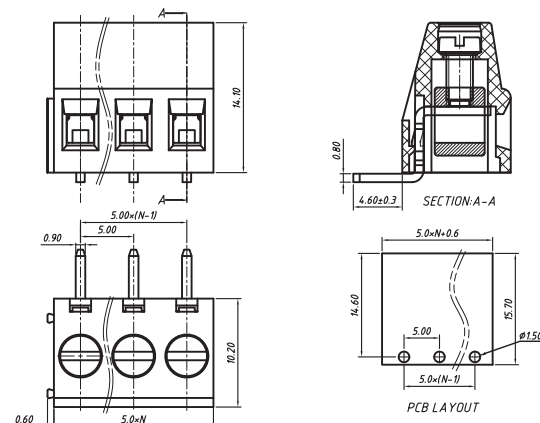


KLS2-128R-5.00

**Material**  
Housing:PA66, UL94V-0  
Pin header:Brass ,Tin plated  
Screw:M2.5 Steel,Zinc plated  
Clamp:Brass,Ni plated

**Electrical**  
Rated voltage:300V  
Rated current:16A  
Contact Resistance:20 m Ω  
Insulation resistance:500MΩ/DC500V  
Withstand voltage:AC2000V / 1 min  
Wire range:22~12AWG 2.5mm<sup>2</sup>

**Mechanical**  
Temp. Range:-40 ° C ~ + 105 ° C  
Steip length:6-7mm  
Torque:0.4Nm(3.5Lbin)





## CONN TERM BLK VERT 7.50mm PCB

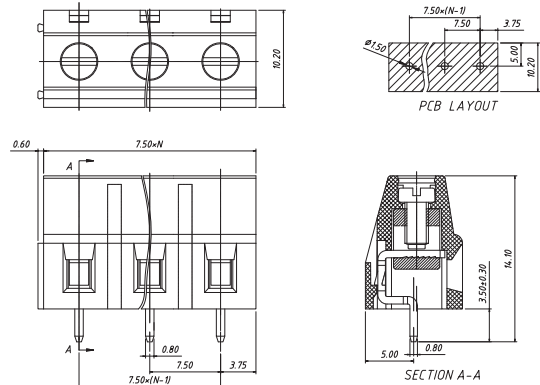


KLS2-128-7.50

**Material**  
Housing:PA66, UL94V-0  
Pin header:Brass ,Tin plated  
Screw:M2.5 Steel,Zn plated  
Cage:Iron,Nickel plated

**Electrical**  
Rated voltage:300V  
Rated current:16A  
Contact Resistance:20 m Ω  
Insulation resistance:500MΩ/DC500V  
Withstand voltage:AC2000V / 1 min  
Wire range:22~12AWG 2.5mm<sup>2</sup>

**Mechanical**  
Temp. Range:-40 ° C ~ + 105 ° C  
Steip length:6-7mm  
Torque:0.4Nm(3.54Lbin)  
Soldering:250° C 5Sec.Max.



## CONN TERM BLK VERT 7.50mm PCB

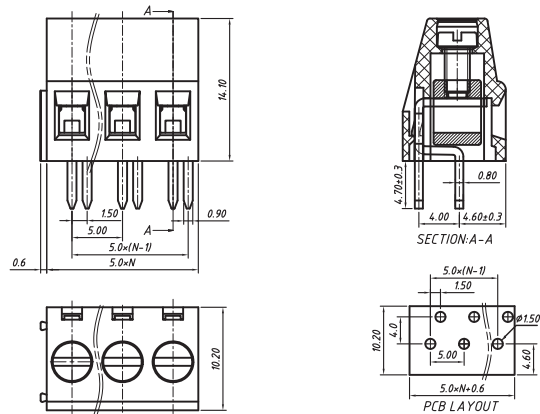


KLS2-128D-5.00

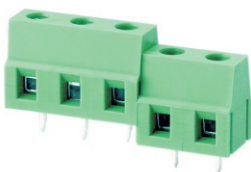
**Material**  
Housing:PA66, UL94V-0  
Pin header:Brass ,Tin plated  
Screw:M2.5 Steel,Zn plated  
Clamp:Brass,Ni plated

**Electrical**  
Rated voltage:300V  
Rated current:16A  
Contact Resistance:20 m Ω  
Insulation resistance:500MΩ/DC500V  
Withstand voltage:AC2000V / 1 min  
Wire range:22~12AWG 2.5mm<sup>2</sup>

**Mechanical**  
Temp. Range:-40 ° C ~ + 105 ° C  
Steip length:6-7mm  
Torque:0.4Nm(3.54Lbin)



## CONN TERM BLK VERT 7.50mm PCB

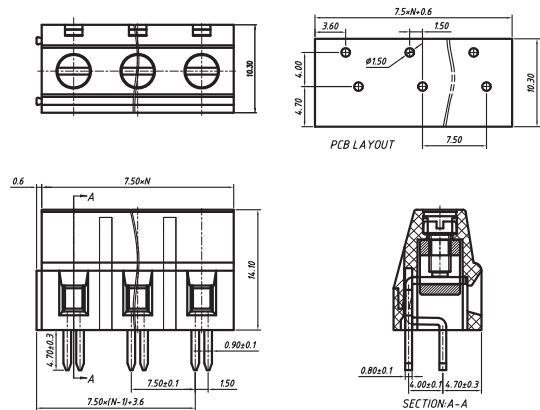


KLS2-128D-7.50

**Material**  
Housing:PA66, UL94V-0  
Pin header:Brass ,Tin plated  
Screw:M2.5 Steel,Zn plated  
Clamp:Brass,Ni plated

**Electrical**  
Rated voltage:300V  
Rated current:16A  
Contact Resistance:20 m Ω  
Insulation resistance:500MΩ/DC500V  
Withstand voltage:AC2000V / 1 min  
Wire range:22~12AWG 2.5mm<sup>2</sup>

**Mechanical**  
Temp. Range:-40 ° C ~ + 105 ° C  
Steip length:6-7mm  
Torque:0.4Nm(3.54Lbin)



## CONN TERM BLK VERT 5.00&5.08mm PCB

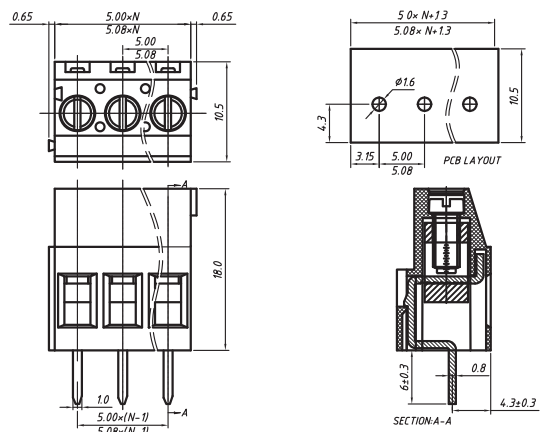


KLS2-129-5.00/5.08

**Material**  
Housing:PA66, UL94V-0  
Pin header:Brass ,Tin plated  
Screw:M3.0 Steel,Zinc plated  
Clamp:Brass,Ni plated

**Electrical**  
Rated voltage:300V  
Rated current:20A  
Contact Resistance:20 m Ω  
Insulation resistance:500MΩ/DC500V  
Withstand voltage:AC2000V / 1 min  
Wire range:26~12AWG 2.5mm<sup>2</sup>

**Mechanical**  
Temp. Range:-40 ° C ~ + 105 ° C  
Steip length:6-7mm  
Torque:0.5Nm(4.5Lbin)



# PCB Terminal Block: Rising clamp & wire protector

**KLS**  
electronic

UL US CE D'E CQC CB RoHS ISO9001:2015

## CONN TERM BLK 90 DEG 5.00&5.08mm PCB

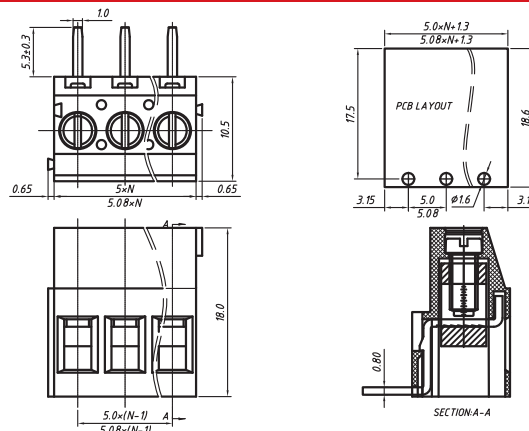


KLS2-129R-5.00/5.08

**Material**  
Housing:PA66, UL94V-0  
Pin header:Brass ,Tin plated  
Screw:M3.0 Steel,Zinc plated  
Clamp:Brass,Ni plated

**Electrical**  
Rated voltage:300V  
Rated current:20A  
Contact Resistance:20 m Ω  
Insulation resistance:500MΩ/DC500V  
Withstand voltage:AC2000V / 1 min  
Wire range:26~12AWG 2.5mm<sup>2</sup>

**Mechanical**  
Temp. Range:-40 ° C ~ + 105 ° C  
Steip length:6-7mm  
Torque:0.5Nm(4.5Lbin)



## CONN TERM BLK VERT 7.50&7.62mm PCB

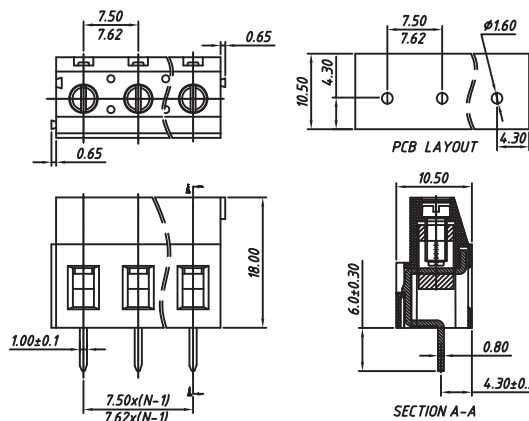


KLS2-129-7.50/7.62

**Material**  
Housing:PA66, UL94V-0  
Pin header:Brass ,Tin plated  
Screw:M3.0 Steel,Zn plated  
Cage:Brass,Nickel plated

**Electrical**  
Rated voltage:300V  
Rated current:20A  
Contact Resistance:20 m Ω  
Insulation resistance:500MΩ/DC500V  
Withstand voltage:AC2000V / 1 min  
Wire range:24~10AWG 4mm<sup>2</sup>

**Mechanical**  
Temp. Range:-40 ° C ~ + 105 ° C  
Steip length:6-7mm  
Torque:0.5Nm(4.5Lbin)



## CONN TERM BLK 90 DEG 7.62mm PCB

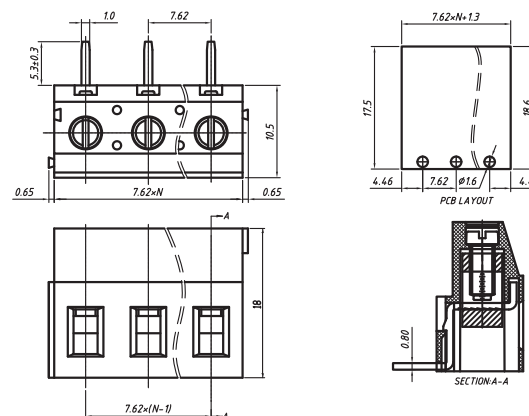


KLS2-129R-7.62

**Material**  
Housing:PA66, UL94V-0  
Pin header:Brass ,Tin plated  
Screw:M3.0 Steel,Zinc plated  
Clamp:Brass,Ni plated

**Electrical**  
Rated voltage:300V  
Rated current:20A  
Contact Resistance:20 m Ω  
Insulation resistance:500MΩ/DC500V  
Withstand voltage:AC2000V / 1 min  
Wire range:26~12AWG 2.5mm<sup>2</sup>

**Mechanical**  
Temp. Range:-40 ° C ~ + 105 ° C  
Steip length:6-7mm  
Torque:0.5Nm(4.5Lbin)



## CONN TERM BLK VERT 5.00mm PCB

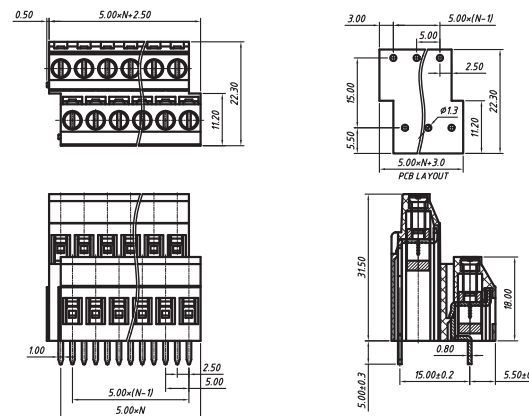


KLS2-132A-5.00

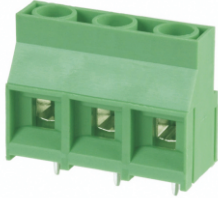
**Material**  
Housing:PA66, UL94V-0  
Pin header:Brass ,Tin plated  
Screw:M3.0 Steel,Zinc plated  
Clamp:Brass,Tin plated

**Electrical**  
Rated voltage:300V  
Rated current:20A  
Contact Resistance:20 m Ω  
Insulation resistance:500MΩ/DC500V  
Withstand voltage:AC2000V / 1 min  
Wire range:26~12AWG 2.5mm<sup>2</sup>

**Mechanical**  
Temp. Range:-40 ° C ~ + 105 ° C  
Steip length:6-7mm  
Torque:0.5Nm(4.5Lbin)



## CONN TERM BLK VERT 9.50mm PCB



KLS2-150-9.50

### Material

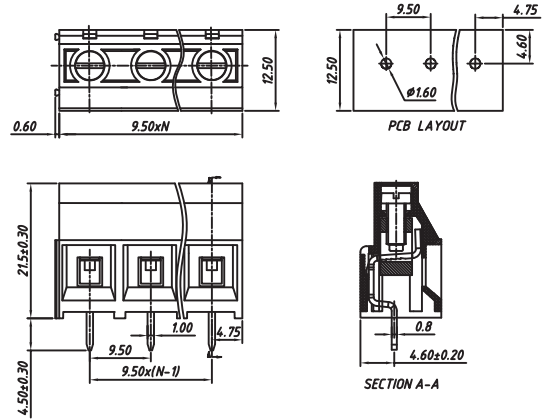
Housing:PA66, UL94V-0  
Pin header:Brass ,Tin plated  
Screw:M3.0 Steel,Zn plated  
Cage:Brass,Nickel plated

### Electrical

Rated voltage:300V  
Rated current:30A  
Contact Resistance:20 m Ω  
Insulation resistance:500MΩ/DC500V  
Withstand voltage:AC2000V / 1 min  
Wire range:24~10AWG 4mm<sup>2</sup>

### Mechanical

Temp. Range:-40 ° C ~ + 105 ° C  
Steip length:6-7mm  
Torque:0.5Nm(4.5Lbin)  
Soldering:250° C Sed.Max.



## CONN TERM BLK VERT 7.50&7.62mm PCB



KLS2-130-7.50/7.62

### Material

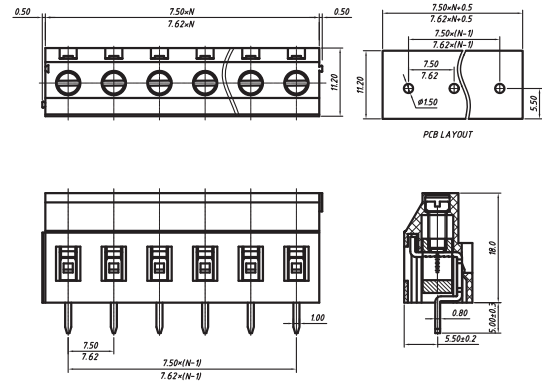
Housing:PA66, UL94V-0  
Pin header:Brass ,Tin plated  
Screw:M3.0 Steel,Zinc plated  
Clamp:Brass,Ni plated

### Electrical

Rated voltage:300V  
Rated current:20A  
Contact Resistance:20 m Ω  
Insulation resistance:500MΩ/DC500V  
Withstand voltage:AC2000V / 1 min  
Wire range:26~12AWG 2.5mm<sup>2</sup>

### Mechanical

Temp. Range:-40 ° C ~ + 105 ° C  
Steip length:6-7mm  
Torque:0.5Nm(4.5Lbin)



## CONN TERM BLK VERT 6.35mm PCB



KLS2-135-6.35

### Material

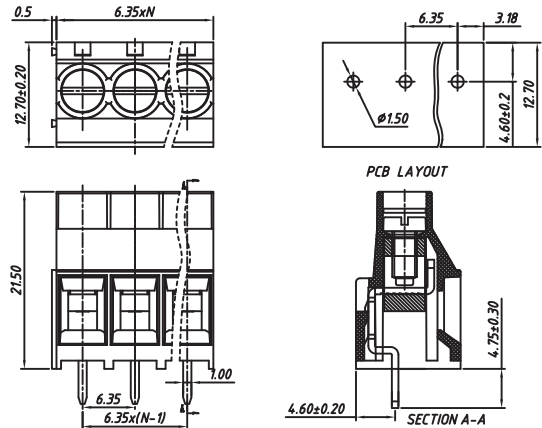
Housing:PA66, UL94V-0  
Pin header:Brass ,Tin plated  
Screw:M3.0 Steel,Zn plated  
Cage:Brass,Nickel plated

### Electrical

Rated voltage:300V  
Rated current:30A  
Contact Resistance:20 m Ω  
Insulation resistance:500MΩ/DC500V  
Withstand voltage:AC2000V / 1 min  
Wire range:24~10AWG 4mm<sup>2</sup>

### Mechanical

Temp. Range:-40 ° C ~ + 105 ° C  
Steip length:6-7mm  
Torque:0.5Nm(4.5Lbin)  
Soldering:250° C Sed.Max.



## CONN TERM BLK VERT 6.35mm PCB



KLS2-136-6.35

### Material

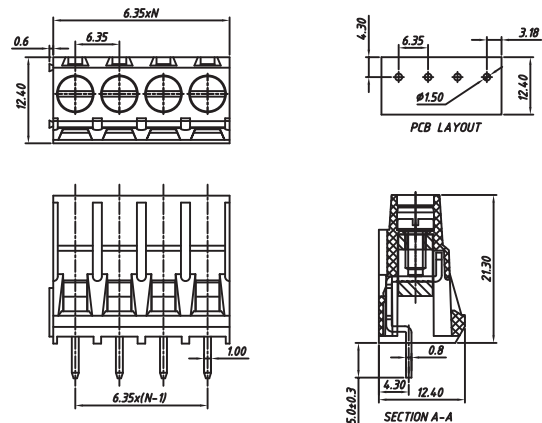
Housing:PA66, UL94V-0  
Pin header:Brass ,Tin plated  
Screw:M3.0 Steel,Zn plated  
Cage:Brass,Nickel plated

### Electrical

Rated voltage:300V  
Rated current:30A  
Contact Resistance:20 m Ω  
Insulation resistance:500MΩ/DC500V  
Withstand voltage:AC2000V / 1 min  
Wire range:24~10AWG 4mm<sup>2</sup>

### Mechanical

Temp. Range:-40 ° C ~ + 105 ° C  
Steip length:6-7mm  
Torque:0.5Nm(4.5Lbin)  
Soldering:250° C Sed.Max.





# PCB Terminal Block: Rising clamp & wire protector

**KLS**  
electronic

UL US CE D'E CQC CB RoHS ISO9001:2015

## CONN TERM BLK VERT 10.16mm PCB

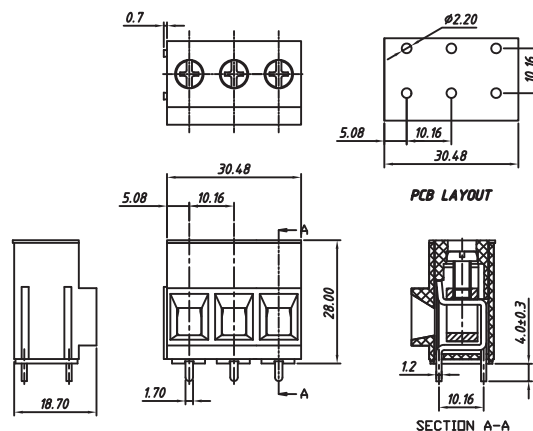


KLS2-148-10.16

**Material**  
Housing:PA66, UL94V-0  
Pin header:Brass ,Tin plated  
Screw:M4.0 Steel,Zn plated  
Cage:Brass,Nickel plated

**Electrical**  
Rated voltage:300V  
Rated current:52A  
Contact Resistance:20 m Ω  
Insulation resistance:500MΩ/DC500V  
Withstand voltage:AC2000V / 1 min  
Wire range:20~6AWG 10mm<sup>2</sup>

**Mechanical**  
Temp. Range:-40 ° C ~ + 105 ° C  
Steip length:9-10mm  
Torque:1.2Nm(10.5Lbin)  
Soldering:250° C 5Sed.Max.



## CONN TERM BLK VERT 10.16mm PCB

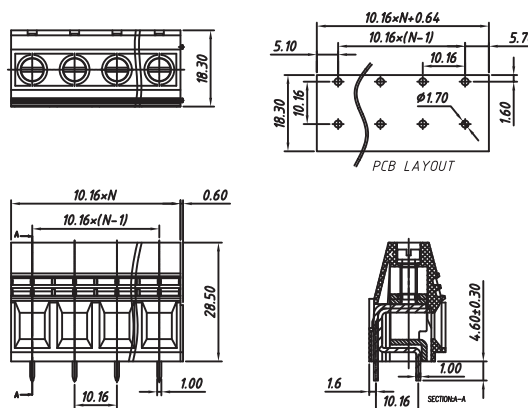


KLS2-149-10.16

**Material**  
Housing:PA66, UL94V-0  
Pin header:Brass ,Tin plated  
Screw:M4.0 Steel,Zn plated  
Cage:Brass,Nickel plated

**Electrical**  
Rated voltage:600V  
Rated current:60A  
Contact Resistance:20 m Ω  
Insulation resistance:500MΩ/DC1000V  
Withstand voltage:AC2500V / 1 min  
Wire range:20~6AWG 10mm<sup>2</sup>

**Mechanical**  
Temp. Range:-40 ° C ~ + 105 ° C  
Steip length:9-10mm  
Torque:1.2Nm(10.5Lbin)  
Soldering:250° C 5Sed.Max.



## CONN TERM BLK VERT 10.16mm PCB

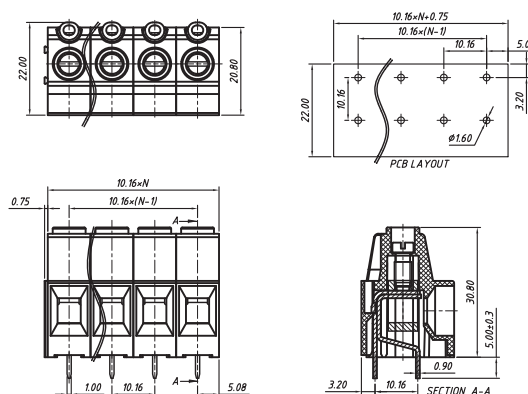


KLS2-151-10.16

**Material**  
Housing:PA66, UL94V-0  
Pin header:Brass ,Tin plated  
Screw:M4.0 Steel,Zn plated  
Clamp:Brass,Ni plated

**Electrical**  
Rated voltage:300V  
Rated current:60A  
Contact Resistance:20 m Ω  
Insulation resistance:500MΩ/DC500V  
Withstand voltage:AC3000V / 1 min  
Wire range:20~6AWG 10mm<sup>2</sup>

**Mechanical**  
Temp. Range:-40 ° C ~ + 105 ° C  
Steip length:10-11mm  
Torque:1.2Nm(10.5Lbin)



## CONN TERM BLK VERT 12.7mm PCB

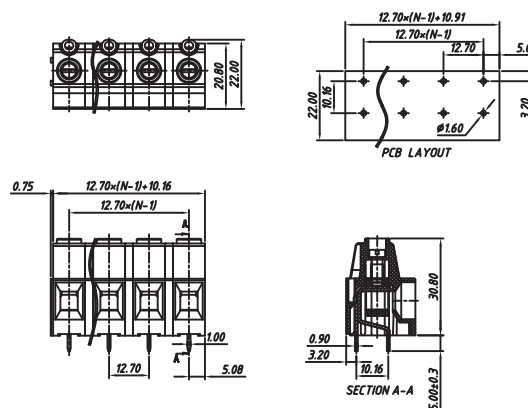


KLS2-151-12.7

**Material**  
Housing:PA66, UL94V-0  
Pin header:Brass ,Tin plated  
Screw:M4.0 Steel,Zn plated  
Cage:Brass,Nickel plated

**Electrical**  
Rated voltage:300V  
Rated current:60A  
Contact Resistance:20 m Ω  
Insulation resistance:500MΩ/DC500V  
Withstand voltage:AC2000V / 1 min  
Wire range:20~6AWG 10mm<sup>2</sup>

**Mechanical**  
Temp. Range:-40 ° C ~ + 105 ° C  
Steip length:9-10mm  
Torque:1.2Nm(10.5Lbin)  
Soldering:250° C 5Sed.Max.



## CONN TERM BLK VERT 10.16mm PCB

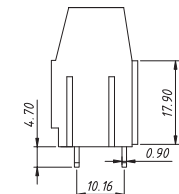
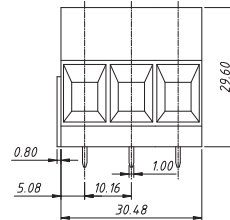
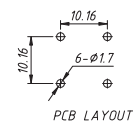
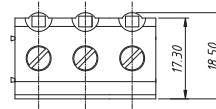


KLS2-116-10.16

**Material**  
Housing:PA66, UL94V-0  
Pin header:Brass ,Tin plated  
Screw:M4.0 Steel,Zn plated  
Cage:Brass,Nickel plated

**Electrical**  
Rated voltage:300V  
Rated current:60A  
Contact Resistance:20 m Ω  
Insulation resistance:500MΩ/DC1000V  
Withstand voltage:AC2500V / 1 min  
Wire range:20~6AWG 10mm<sup>2</sup>

**Mechanical**  
Temp. Range:-40 ° C ~ + 105 ° C  
Steip length:9-10mm  
Torque:1.2Nm(10.5Lbin)  
Soldering:250° C 5Sed.Max.



## CONN TERM BLK VERT 12.7mm PCB

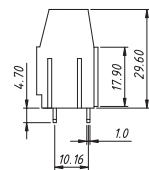
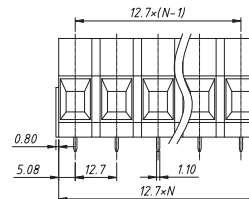
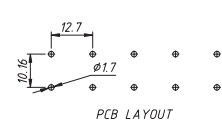
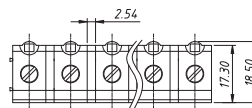


KLS2-116-12.7

**Material**  
Housing:PA66, UL94V-0  
Pin header:Brass ,Tin plated  
Screw:M4.0 Steel,Zn plated  
Cage:Brass,Nickel plated

**Electrical**  
Rated voltage:300V  
Rated current:60A  
Contact Resistance:20 m Ω  
Insulation resistance:500MΩ/DC1000V  
Withstand voltage:AC2500V / 1 min  
Wire range:20~6AWG 10mm<sup>2</sup>

**Mechanical**  
Temp. Range:-40 ° C ~ + 105 ° C  
Steip length:9-10mm  
Torque:1.2Nm(10.5Lbin)  
Soldering:250° C 5Sed.Max.



## CONN TERM BLK VERT 15.24mm PCB

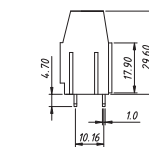
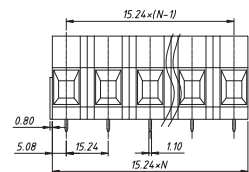
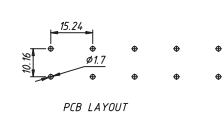
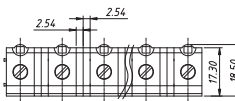


KLS2-116-15.24

**Material**  
Housing:PA66, UL94V-0  
Pin header:Brass ,Tin plated  
Screw:M4.0 Steel,Zn plated  
Cage:Brass,Nickel plated

**Electrical**  
Rated voltage:300V  
Rated current:60A  
Contact Resistance:20 m Ω  
Insulation resistance:500MΩ/DC1000V  
Withstand voltage:AC2500V / 1 min  
Wire range:20~6AWG 10mm<sup>2</sup>

**Mechanical**  
Temp. Range:-40 ° C ~ + 105 ° C  
Steip length:9-10mm  
Torque:1.2Nm(10.5Lbin)  
Soldering:250° C 5Sed.Max.



## CONN TERM BLK VERT 15.0mm PCB

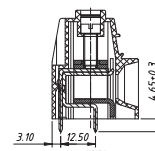
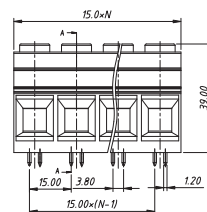
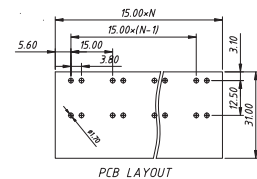
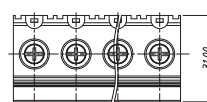


KLS2-170-15.0

**Material**  
Housing:PA66, UL94V-0  
Pin header:Brass ,Tin plated  
Screw:M5.0 Steel,Zn plated  
Cage:Brass,Nickel plated

**Electrical**  
Rated voltage:600V  
Rated current:115A  
Contact Resistance:20 m Ω  
Insulation resistance:500MΩ/DC1000V  
Withstand voltage:AC3500V / 1 min  
Wire range:20~2AWG 35mm<sup>2</sup>

**Mechanical**  
Temp. Range:-40 ° C ~ + 105 ° C  
Steip length:18-19mm  
Torque:2.0Nm(17.7Lbin)  
Soldering:250° C 5Sed.Max.



# PCB Terminal Block: Rising clamp & wire protector

**KLS**  
electronic

UL US CE D'E CQC CB RoHS ISO9001:2015

## CONN TERM BLK VERT 15.0mm PCB



KLS2-170M-15.0

### Material

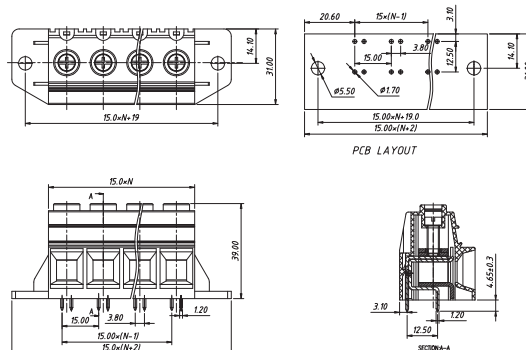
Housing:PA66, UL94V-0  
Pin header:Brass ,Tin plated  
Screw:M5.0 Steel,Zn plated  
Cage:Brass,Nickel plated

### Electrical

Rated voltage:600V  
Rated current:115A  
Contact Resistance:20 m  $\Omega$   
Insulation resistance:500M $\Omega$ /DC1000V  
Withstand voltage:AC3500V / 1 min  
Wire range:20-2AWG 35mm<sup>2</sup>

### Mechanical

Temp. Range:-40 ° C ~ + 105 ° C  
Steip length:18-19mm  
Torque:2.0Nm(17.7Lbin)  
Soldering:250° C 5Sed.Max.



## CONN TERM BLK VERT 5.00&5.08mm PCB



KLS2-127A-5.00/5.08

### Material

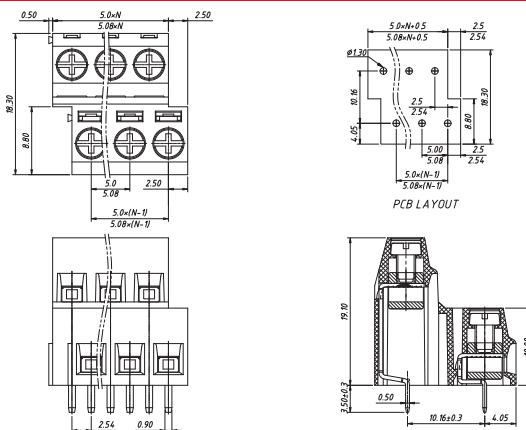
Housing:PA66, UL94V-0  
Pin header:Brass ,Tin plated  
Screw:M2.5 Steel,Zinc plated  
Clamp:Brass,Ni plated

### Electrical

Rated voltage:300V  
Rated current:15A  
Contact Resistance:20 m  $\Omega$   
Insulation resistance:500M $\Omega$ /DC500V  
Withstand voltage:AC2000V / 1 min  
Wire range:26-14AWG 1.5mm<sup>2</sup>

### Mechanical

Temp. Range:-40 ° C ~ + 105 ° C  
Steip length:6-7mm  
Torque:0.4Nm(3.5Lbin)



## CONN TERM BLK VERT 3.50&3.81mm PCB



KLS2-125-3.50/3.81

### Material

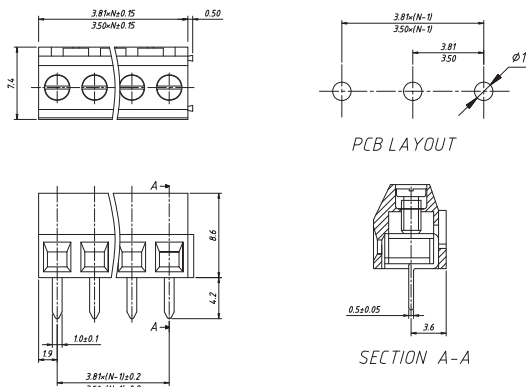
Housing:PA66, UL94V-0  
Pin header:Brass ,Tin plated  
Screw:M2 Steel,Zinc plated  
Clamp:Brass,Ni plated

### Electrical

Rated voltage:300V  
Rated current:10A  
Contact Resistance:20 m  $\Omega$   
Insulation resistance:500M $\Omega$ /DC500V  
Withstand voltage:AC2000V / 1 min  
Wire range:24-12AWG 2.5mm<sup>2</sup>

### Mechanical

Temp. Range:-40 ° C ~ + 105 ° C  
Steip length:5-6mm  
Torque:0.2Nm(1.75Lbin)



## CONN TERM BLK VERT 3.50&3.81mm PCB



KLS2-125H-3.50/3.81

### Material

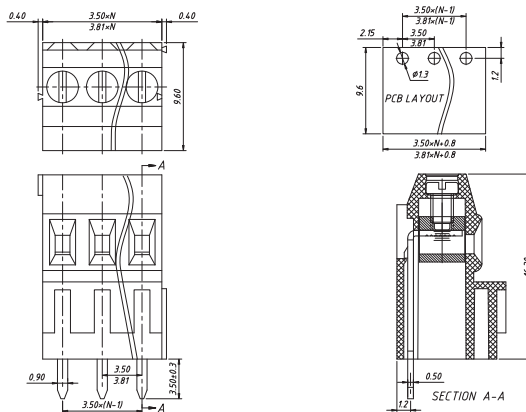
Housing:PA66, UL94V-0  
Pin header:Brass ,Tin plated  
Screw:M2 Steel,Zinc plated  
Clamp:Brass,Ni plated

### Electrical

Rated voltage:300V  
Rated current:10A  
Contact Resistance:20 m  $\Omega$   
Insulation resistance:500M $\Omega$ /DC500V  
Withstand voltage:AC2000V / 1 min  
Wire range:24-12AWG 2.5mm<sup>2</sup>

### Mechanical

Temp. Range:-40 ° C ~ + 105 ° C  
Steip length:5-6mm  
Torque:0.2Nm(1.75Lbin)



### CONN TERM BLK VERT 3.50&3.81mm PCB



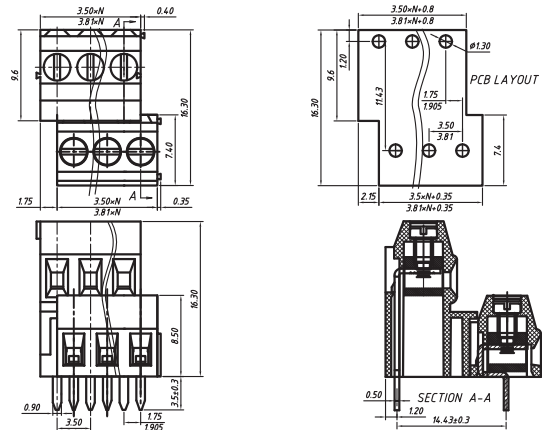
**KLS2-125A-3.50/3.81**

**Material**

Housing:PA66, UL94V-0  
Pin header:Brass ,Tin plated  
Screw:M2 Steel,Zinc plated  
Clamp:Brass,Ni plated  
**Electrical**  
Rated voltage:300V  
Rated current:15A  
Contact Resistance:20 m Ω  
Insulation resistance:500MΩ/DC500V  
Withstand voltage:AC2000V / 1 min  
Wire range:30~14AWG 1.0mm<sup>2</sup>

**Mechanical**

Temp. Range:-40 ° C ~ + 105 ° C  
Steip length:5-6mm  
Torque:0.2Nm(1.75Lbin)



### CONN TERM BLK VERT 3.50&3.81mm PCB



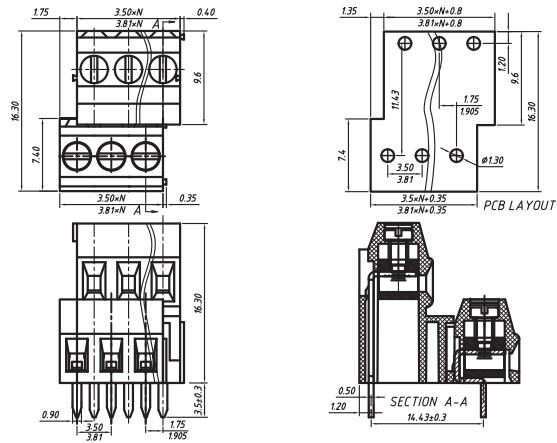
**KLS2-125B-3.50/3.81**

**Material**

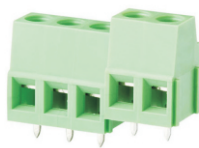
Housing:PA66, UL94V-0  
Pin header:Brass ,Tin plated  
Screw:M2 Steel,Zinc plated  
Clamp:Brass,Ni plated  
**Electrical**  
Rated voltage:300V  
Rated current:15A  
Contact Resistance:20 m Ω  
Insulation resistance:500MΩ/DC500V  
Withstand voltage:AC2000V / 1 min  
Wire range:30~14AWG 1.0mm<sup>2</sup>

**Mechanical**

Temp. Range:-40 ° C ~ + 105 ° C  
Steip length:5-6mm  
Torque:0.2Nm(1.75Lbin)



### CONN TERM BLK VERT 5.00&5.08mm PCB



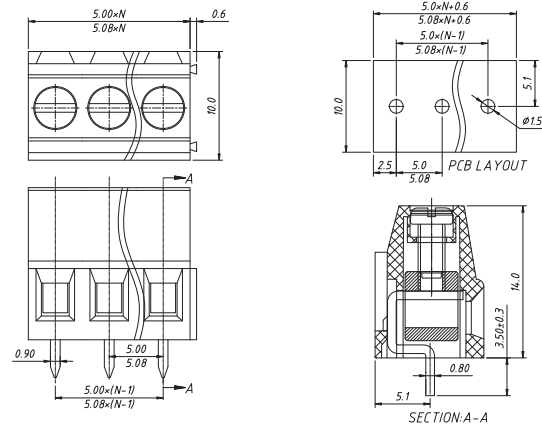
**KLS2-128I-5.00/5.008**

**Material**

Housing:PA66, UL94V-0  
Pin header:Brass ,Tin plated  
Screw:M2.5 Steel,Zinc plated  
Clamp:Brass,Ni plated  
**Electrical**  
Rated voltage:300V  
Rated current:15A  
Contact Resistance:20 m Ω  
Insulation resistance:500MΩ/DC500V  
Withstand voltage:AC2000V / 1 min  
Wire range:30~14AWG 2.5mm<sup>2</sup>

**Mechanical**

Temp. Range:-40 ° C ~ + 105 ° C  
Steip length:6-7mm  
Torque:0.4Nm(3.5Lbin)



### CONN TERM BLK VERT 5.00&5.08mm PCB



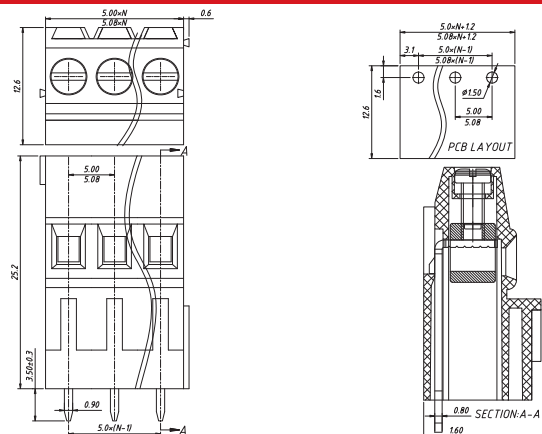
**KLS2-128IH-5.00/5.08**

**Material**

Housing:PA66, UL94V-0  
Pin header:Brass ,Tin plated  
Screw:M2.5 Steel,Zinc plated  
Clamp:Brass,Ni plated  
**Electrical**  
Rated voltage:300V  
Rated current:15A  
Contact Resistance:20 m Ω  
Insulation resistance:500MΩ/DC500V  
Withstand voltage:AC2000V / 1 min  
Wire range:30~14AWG 2.5mm<sup>2</sup>

**Mechanical**

Temp. Range:-40 ° C ~ + 105 ° C  
Steip length:6-7mm  
Torque:0.4Nm(3.5Lbin)





# PCB Terminal Block: Rising clamp & wire protector

**KLS**  
electronic

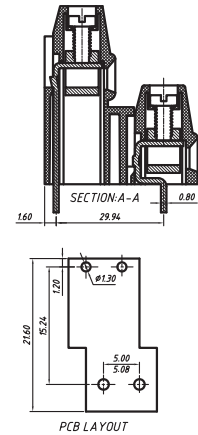
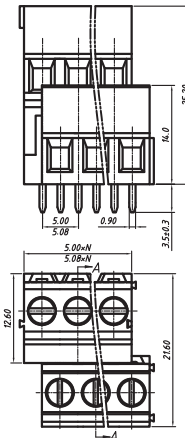
UL US CE D'E CQC CB RoHS ISO9001:2015

## CONN TERM BLK VERT 5.00&5.08mm PCB



KLS2-128IA-5.00/5.08

**Material**  
Housing:PA66, UL94V-0  
Pin header:Brass ,Tin plated  
Screw:M2.5 Steel,Zinc plated  
Clamp:Brass,Ni plated  
**Electrical**  
Rated voltage:300V  
Rated current:15A  
Contact Resistance:20 m Ω  
Insulation resistance:500MΩ/DC500V  
Withstand voltage:AC2000V / 1 min  
Wire range:30~14AWG 2.5mm<sup>2</sup>  
**Mechanical**  
Temp. Range:-40 °C ~ + 105 °C  
Steip length:6-7mm  
Torque:0.4Nm(3.5Lbin)

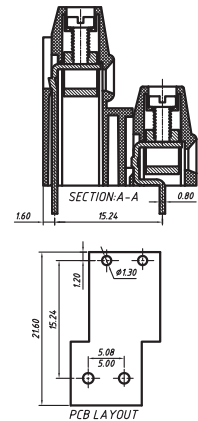
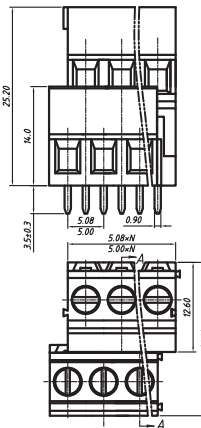


## CONN TERM BLK VERT 5.00&5.08mm PCB



KLS2-128IB-5.00/5.08

**Material**  
Housing:PA66, UL94V-0  
Pin header:Brass ,Tin plated  
Screw:M2.5 Steel,Zinc plated  
Clamp:Brass,Ni plated  
**Electrical**  
Rated voltage:300V  
Rated current:15A  
Contact Resistance:20 m Ω  
Insulation resistance:500MΩ/DC500V  
Withstand voltage:AC2000V / 1 min  
Wire range:30~14AWG 2.5mm<sup>2</sup>  
**Mechanical**  
Temp. Range:-40 °C ~ + 105 °C  
Steip length:6-7mm  
Torque:0.4Nm(3.5Lbin)

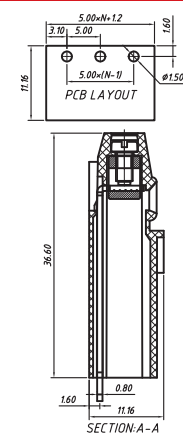
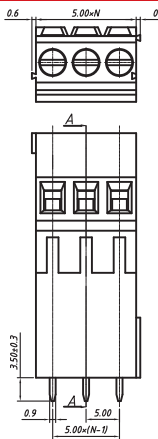


## CONN TERM BLK VERT 5.00mm PCB



KLS2-128HH-5.00

**Material**  
Housing:PA66, UL94V-0  
Pin header:Brass ,Tin plated  
Screw:M2.5 Steel,Zinc plated  
Cage:Brass,Ni plated  
**Electrical**  
Rated voltage:300V  
Rated current:15A  
Contact Resistance:20 m Ω  
Insulation resistance:500MΩ/DC500V  
Withstand voltage:AC2000V / 1 min  
Wire range:30~14AWG 2.5mm<sup>2</sup>  
**Mechanical**  
Temp. Range:-40 °C ~ + 105 °C  
Steip length:6-7mm  
Torque:0.4Nm(3.5Lbin)

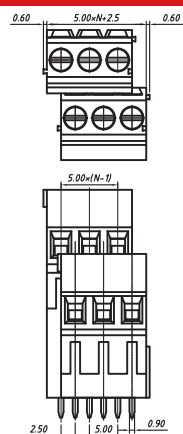
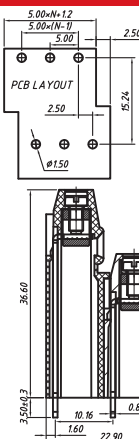


## CONN TERM BLK VERT 5.00mm PCB



KLS2-128A2-5.00

**Material**  
Housing:PA66, UL94V-0  
Pin header:Brass ,Tin plated  
Screw:M2.5 Steel,Zinc plated  
Clamp:Brass,Ni plated  
**Electrical**  
Rated voltage:300V  
Rated current:15A  
Contact Resistance:20 m Ω  
Insulation resistance:500MΩ/DC500V  
Withstand voltage:AC2000V / 1 min  
Wire range:30~14AWG 2.5mm<sup>2</sup>  
**Mechanical**  
Temp. Range:-40 °C ~ + 105 °C  
Steip length:6-7mm  
Torque:0.4Nm(3.5Lbin)



## CONN TERM BLK VERT 5.00mm PCB

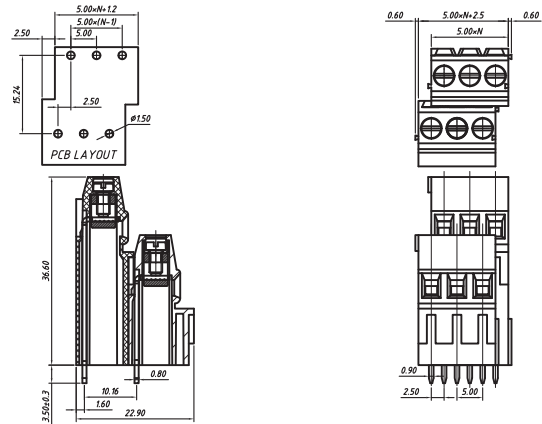


KLS2-128B2-5.00

**Material**  
Housing:PA66, UL94V-0  
Pin header:Brass , Tin plated  
Screw:M2.5 Steel,Zinc plated  
Clamp:Brass,Ni plated

**Electrical**  
Rated voltage:300V  
Rated current:15A  
Contact Resistance:20 m Ω  
Insulation resistance:500MΩ/DC500V  
Withstand voltage:AC2000V / 1 min  
Wire range:30~14AWG 2.5mm<sup>2</sup>

**Mechanical**  
Temp. Range:-40 ° C ~ + 105 ° C  
Steip length:6-7mm  
Torque:0.4Nm(3.5Lbin)



## CONN TERM BLK VERT 5.00mm PCB

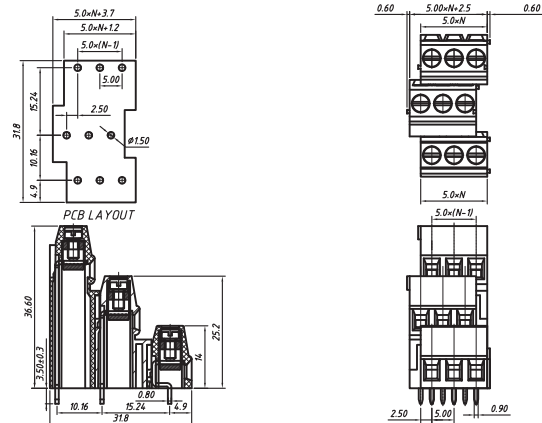


KLS2-128A3-5.00

**Material**  
Housing:PA66, UL94V-0  
Pin header:Brass , Tin plated  
Screw:M2.5 Steel,Zinc plated  
Clamp:Brass,Ni plated

**Electrical**  
Rated voltage:300V  
Rated current:15A  
Contact Resistance:20 m Ω  
Insulation resistance:500MΩ/DC500V  
Withstand voltage:AC2000V / 1 min  
Wire range:30~14AWG 2.5mm<sup>2</sup>

**Mechanical**  
Temp. Range:-40 ° C ~ + 105 ° C  
Steip length:6-7mm  
Torque:0.4Nm(3.5Lbin)



## CONN TERM BLK VERT 5.00mm PCB

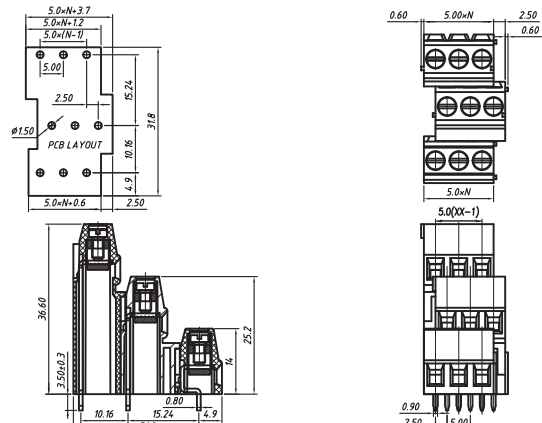


KLS2-128B3-5.00

**Material**  
Housing:PA66, UL94V-0  
Pin header:Brass , Tin plated  
Screw:M2.5 Steel,Zinc plated  
Clamp:Brass,Ni plated

**Electrical**  
Rated voltage:300V  
Rated current:15A  
Contact Resistance:20 m Ω  
Insulation resistance:500MΩ/DC500V  
Withstand voltage:AC2000V / 1 min  
Wire range:30~14AWG 2.5mm<sup>2</sup>

**Mechanical**  
Temp. Range:-40 ° C ~ + 105 ° C  
Steip length:6-7mm  
Torque:0.4Nm(3.5Lbin)



## CONN TERM BLK VERT 5.00mm PCB

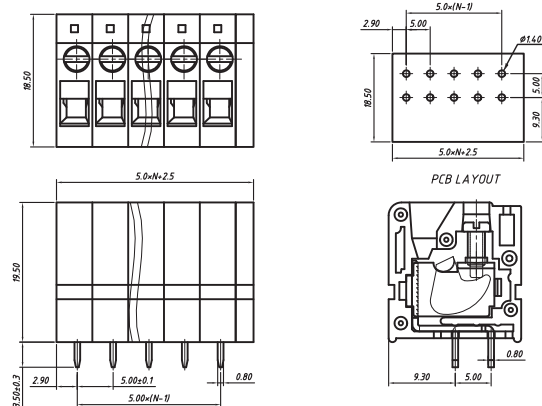


KLS2-146V-5.00

**Material**  
Housing:PA66, UL94V-0  
Pin header:Brass , Tin plated  
Screw:M2.5 Steel,Zinc plated  
Clamp:Brass,Ni plated

**Electrical**  
Rated voltage:300V  
Rated current:20A  
Contact Resistance:20 m Ω  
Insulation resistance:500MΩ/DC500V  
Withstand voltage:AC2000V / 1 min  
Wire range:24~14AWG 2.5mm<sup>2</sup>

**Mechanical**  
Temp. Range:-40 ° C ~ + 105 ° C  
Steip length:12-13mm  
Torque:0.4Nm(3.5Lbin)



# PCB Terminal Block: Rising clamp & wire protector

**KLS**  
electronic

UL US CE D'E CQC CB RoHS ISO9001:2015

## CONN TERM BLK 90 DEG 5.00mm PCB

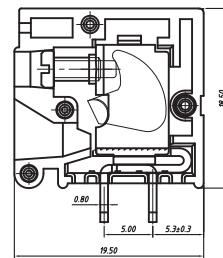
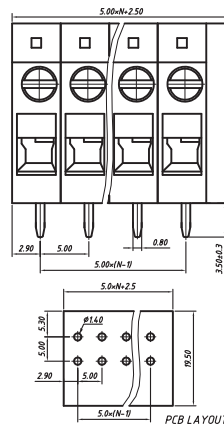


KLS2-146R-5.00

**Material**  
Housing:PA66, UL94V-0  
Pin header:Brass ,Tin plated  
Screw:M2.5 Steel,Zinc plated  
Clamp:Steel,Tin plated

**Electrical**  
Rated voltage:300V  
Rated current:20A  
Contact Resistance:20 m Ω  
Insulation resistance:500MΩ/DC500V  
Withstand voltage:AC2000V / 1 min  
Wire range:24~14AWG 2.5mm<sup>2</sup>

**Mechanical**  
Temp. Range:-40 °C ~ + 105 °C  
Steip length:12-13mm  
Torque:0.4Nm(3.5Lbin)



## CONN TERM BLK VERT 5.00mm PCB

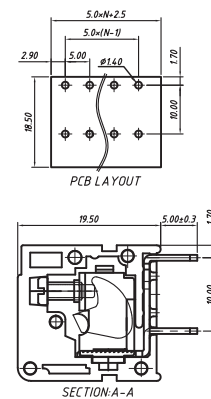
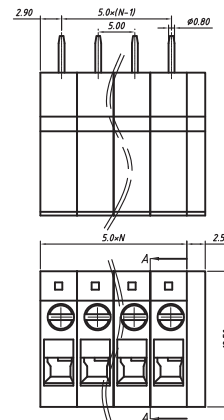


KLS2-147V-5.00

**Material**  
Housing:PA66, UL94V-0  
Pin header:Brass ,Tin plated  
Screw:M2.5 Steel,Zinc plated  
Clamp:Steel,Zinc plated

**Electrical**  
Rated voltage:300V  
Rated current:20A  
Contact Resistance:20 m Ω  
Insulation resistance:500MΩ/DC500V  
Withstand voltage:AC2000V / 1 min  
Wire range:24~14AWG 2.5mm<sup>2</sup>

**Mechanical**  
Temp. Range:-40 °C ~ + 105 °C  
Steip length:12-13mm  
Torque:0.4Nm(3.5Lbin)



## CONN TERM BLK 90 DEG 5.00mm PCB

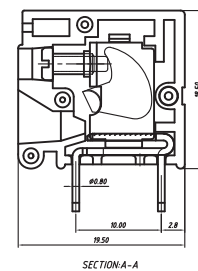
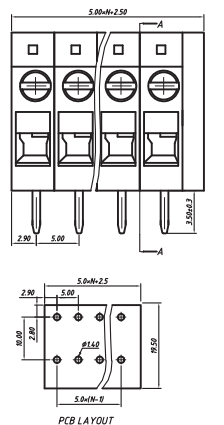


KLS2-147R-5.00

**Material**  
Housing:PA66, UL94V-0  
Pin header:Brass ,Tin plated  
Screw:M2.5 Steel,Zinc plated  
Clamp:Steel,Zinc plated

**Electrical**  
Rated voltage:300V  
Rated current:20A  
Contact Resistance:20 m Ω  
Insulation resistance:500MΩ/DC500V  
Withstand voltage:AC2000V / 1 min  
Wire range:24~14AWG 2.5mm<sup>2</sup>

**Mechanical**  
Temp. Range:-40 °C ~ + 105 °C  
Steip length:12-13mm  
Torque:0.4Nm(3.5Lbin)



## CONN TERM BLK VERT 5.00mm PCB



KLS2-300-5.00

### Material

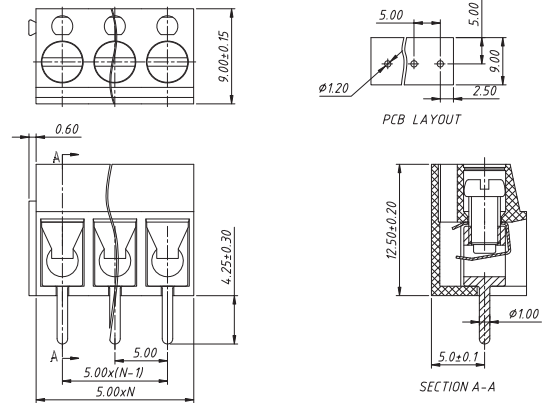
Housing:PA66, UL94V-0  
Pin header:Brass, Tin plated  
Cage:Phosphor Bronze, Nickel plated  
Screw:M3.0 steel, Zn plated

### Electrical

Rated voltage:250V  
Rated current:16A  
Contact Resistance:20 m Ω  
Insulation resistance:500MΩ/DC500V  
Withstand voltage:AC2000V / 1 min  
Wire range:22~14AWG 1.5mm<sup>2</sup>

### Mechanical

Temp. Range:-30 ° C ~ + 105 ° C  
Steip length:4.5-5mm  
Soldering:250° C 5Sec Max.  
Torque:0.5Nm(4.43Lbin)



## CONN TERM BLK 90 DEG 5.00mm PCB



KLS2-300R-5.00

### Material

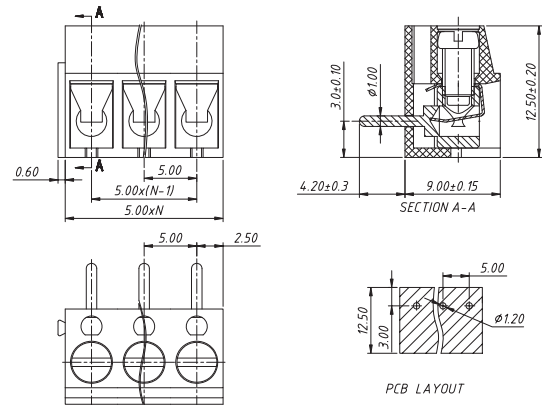
Housing:PA66, UL94V-0  
Pin header:Brass, Tin plated  
Cage:Phosphor Bronze, Nickel plated  
Screw:M3.0 steel, Zn plated

### Electrical

Rated voltage:250V  
Rated current:16A  
Contact Resistance:20 m Ω  
Insulation resistance:500MΩ/DC500V  
Withstand voltage:AC2000V / 1 min  
Wire range:22~14AWG 1.5mm<sup>2</sup>

### Mechanical

Temp. Range:-30 ° C ~ + 105 ° C  
Steip length:4.5-5mm  
Soldering:250° C 5Sec Max.  
Torque:0.5Nm(4.43Lbin)



## CONN TERM BLK VERT 7.50mm PCB



KLS2-300-7.50

### Material

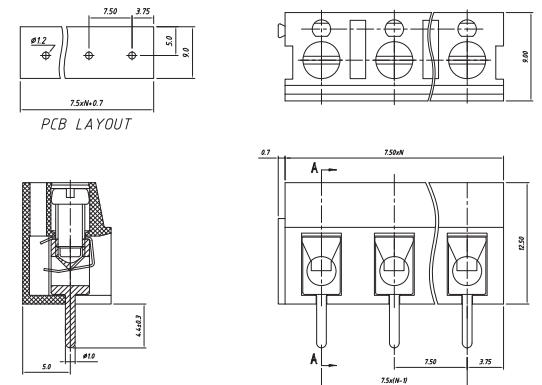
Housing:PA66, UL94V-0  
Pin header:Brass, Tin plated  
Cage:Phosphor Bronze, Nickel plated  
Screw:M3.0 steel, Zn plated

### Electrical

Rated voltage:250V  
Rated current:16A  
Contact Resistance:20 m Ω  
Insulation resistance:500MΩ/DC500V  
Withstand voltage:AC2000V / 1 min  
Wire range:22~14AWG 1.5mm<sup>2</sup>

### Mechanical

Temp. Range:-30 ° C ~ + 105 ° C  
Steip length:4.5-5mm  
Soldering:250° C 5Sec Max.  
Torque:0.5Nm(4.43Lbin)



## CONN TERM BLK VERT 5.00mm PCB



KLS2-305V-5.00

### Material

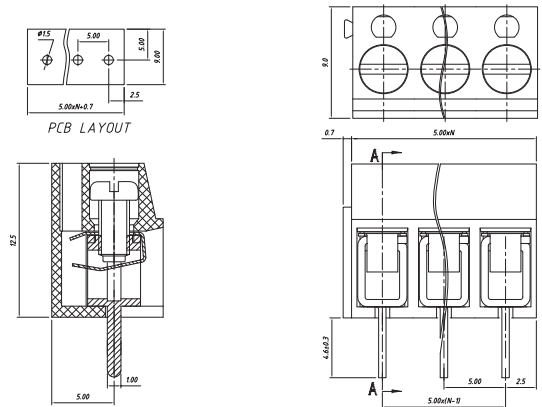
Housing:PA66, UL94V-0  
Pin header:Brass, Tin plated  
Shrapnel:Phosphor Bronze, Nickel plated  
Screw:M2.5 steel, Zn plated

### Electrical

Rated voltage:250V  
Rated current:16A  
Contact Resistance:20 m Ω  
Insulation resistance:500MΩ/DC500V  
Withstand voltage:AC2000V / 1 min  
Wire range:22~14AWG 2.5mm<sup>2</sup>

### Mechanical

Temp. Range:-40 ° C ~ + 105 ° C  
Steip length:4.5-5mm  
Soldering:250° C 5Sec Max.  
Torque:0.5Nm(4.43Lbin)





# PCB Terminal Block: Rising clamp & wire protector



**CB RoHS ISO9001:2015**

## CONN TERM BLK VERT 7.50mm PCB

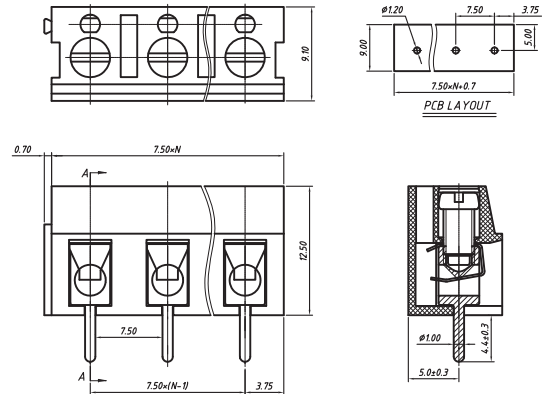


**KLS2-305V-7.50**

**Material**  
 Housing:PBT, UL94V-0  
 Cage:Brass, Tin plated  
 Clamp:Phosphor Bronze, Ni plated  
 Screw:M3.0 steel, Zinc plated

**Electrical**  
 Rated voltage:250V  
 Rated current:16A  
 Contact Resistance:20 m Ω  
 Insulation resistance:500MΩ/DC500V  
 Withstand voltage:AC2000V / 1 min  
 Wire range:22~14AWG 2.5mm<sup>2</sup>

**Mechanical**  
 Temp. Range:-40 °C ~ + 105 °C  
 Steip length:4.5-5mm  
 Torque:0.5Nm(4.5Lbin)



## CONN TERM BLK VERT 5.00mm PCB

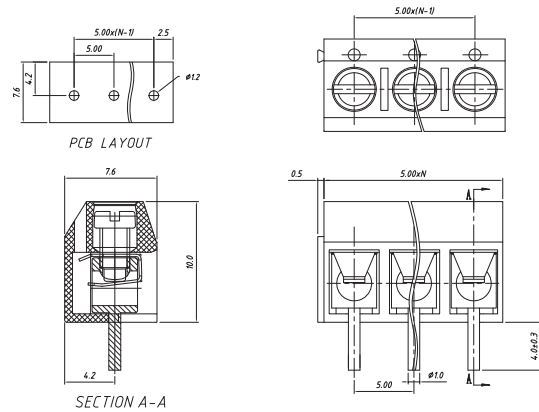


**KLS2-301-5.00**

**Material**  
 Housing:PA66 or PBT, UL94V-0  
 Pin header:Brass, Tin plated  
 Shrapeni:Phosphor Bronze, Nickel plated  
 Screw:M2.5 steel, Zn plated

**Electrical**  
 Rated voltage:250V  
 Rated current:16A  
 Contact Resistance:20 m Ω  
 Insulation resistance:500MΩ/DC500V  
 Withstand voltage:AC2000V / 1 min  
 Wire range:22~14AWG 1.5mm<sup>2</sup>

**Mechanical**  
 Temp. Range:-40 °C ~ + 105 °C  
 Steip length:4.5-5mm  
 Soldering:250° C 5Sec Max.  
 Torque:0.4Nm(3.5Lbin)



## CONN TERM BLK 90 DEG 5.00mm PCB

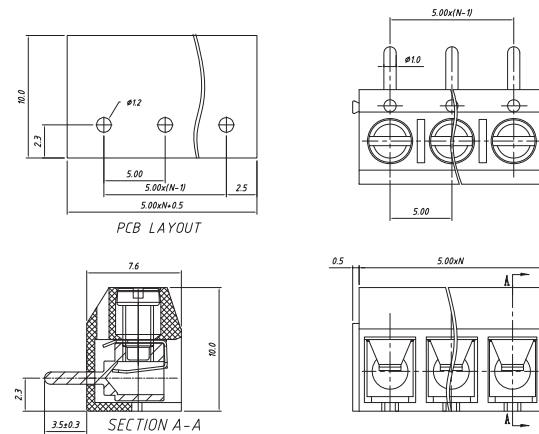


**KLS2-301R-5.00**

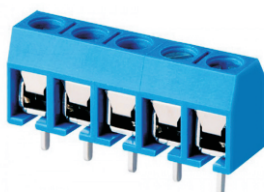
**Material**  
 Housing:PA66 or PBT, UL94V-0  
 Pin header:Brass, Tin plated  
 Shrapeni:Phosphor Bronze, Nickel plated  
 Screw:M2.5 steel, Zn plated

**Electrical**  
 Rated voltage:250V  
 Rated current:16A  
 Contact Resistance:20 m Ω  
 Insulation resistance:500MΩ/DC500V  
 Withstand voltage:AC2000V / 1 min  
 Wire range:22~14AWG 1.5mm<sup>2</sup>

**Mechanical**  
 Temp. Range:-40 °C ~ + 105 °C  
 Steip length:4.5-5mm  
 Soldering:250° C 5Sec Max.  
 Torque:0.4Nm(3.5Lbin)



## CONN TERM BLK VERT 5.00mm PCB

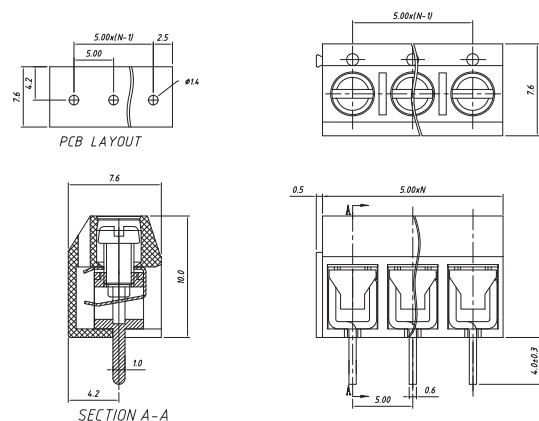


**KLS2-306V-5.00**

**Material**  
 Housing:PA66 or PBT, UL94V-0  
 Pin header:Brass, Tin plated  
 Shrapeni:Phosphor Bronze, Nickel plated  
 Screw:M2.5 steel, Zn plated

**Electrical**  
 Rated voltage:250V  
 Rated current:16A  
 Contact Resistance:20 m Ω  
 Insulation resistance:500MΩ/DC500V  
 Withstand voltage:AC2000V / 1 min  
 Wire range:22~14AWG 1.5mm<sup>2</sup>

**Mechanical**  
 Temp. Range:-40 °C ~ + 105 °C  
 Steip length:4.5-5mm  
 Soldering:250° C 5Sec Max.  
 Torque:0.4Nm(3.5Lbin)



## CONN TERM BLK VERT 3.81mm PCB



KLS2-340-3.81

### Material

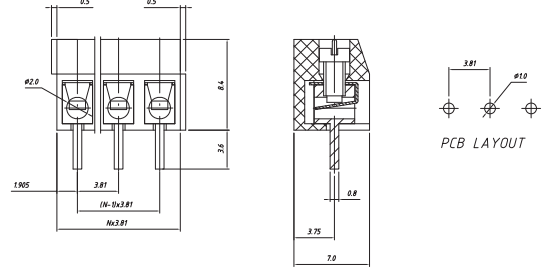
Housing:PA66 , UL94V-0  
Pin header:Brass, Tin plated  
Shrapenl:Phosphor Bronze,Nickel plated  
Screw:M2 steel,Zn plated

### Electrical

Rated voltage:130V  
Rated current:10A  
Contact Resistance:20 m Ω  
Insulation resistance:5000MΩ/DC1000V  
Withstand voltage:AC2000V / 1 min  
Wire range:24~18AWG 1.0mm<sup>2</sup>

### Mechanical

Temp. Range:-40 ° C ~ + 105 ° C  
Steip length:5-6mm  
Soldering:250° C 5Sec Max.  
Torque:0.2Nm(1.7Lbin)



## CONN TERM BLK PLUG 3.50mm PCB



KLS2-333K-3.50

### Material

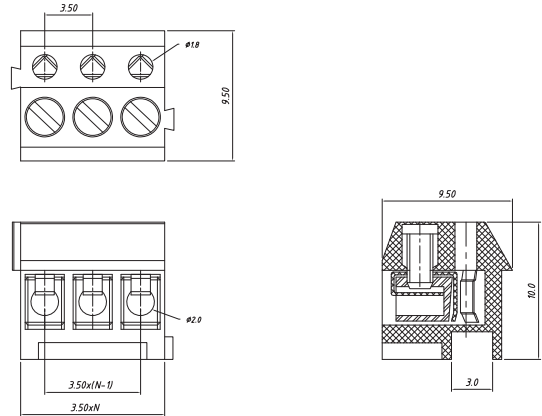
Housing:PBT, UL94V-0  
Pin header:Brass, Tin plated  
Shrapenl:Phosphor Bronze,Nickel plated  
Screw:M2 steel,Zn plated

### Electrical

Rated voltage:300V  
Rated current:8A  
Contact Resistance:20 m Ω  
Insulation resistance:500MΩ/DC500V  
Withstand voltage:AC1500V / 1 min  
Wire range:28~16AWG 1.5mm<sup>2</sup>

### Mechanical

Temp. Range:-40 ° C ~ + 105 ° C  
Steip length:4.5-5mm  
Torque:0.4Nm(3.5Lbin)



## CONN TERM BLK VERT Pin 3.50mm PCB



KLS2-333J-3.50

### Material

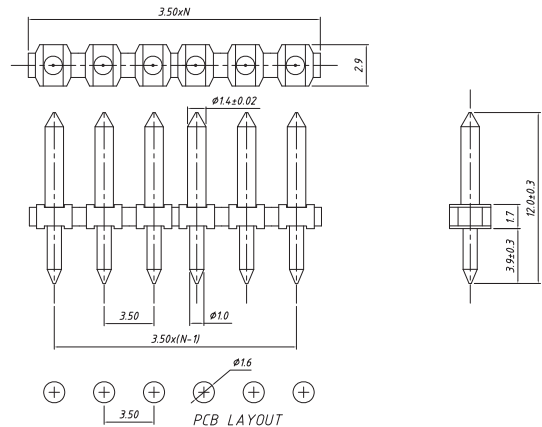
Housing:PBT UL94V-0  
Pin header:Brass, Tin plated

### Electrical

Rated voltage:300V  
Rated current:8A  
Contact Resistance:20 m Ω  
Insulation resistance:500MΩ/DC500V  
Withstand voltage:AC2000V / 1 min

### Mechanical

Temp. Range:-40 ° C ~ + 105 ° C  
Soldering:250° C 5Sec Max.



## CONN TERM BLK PLUG 5.00mm PCB



KLS2-332K-5.00

### Material

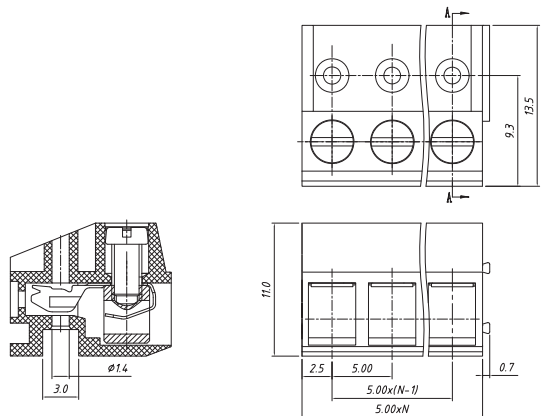
Housing:PA66 or PBT, UL94V-0  
Pin header:Brass, Tin plated  
Shrapenl:Phosphor Bronze,Nickel plated  
Screw:M2.5 steel,Zn plated

### Electrical

Rated voltage:300V  
Rated current:10A  
Contact Resistance:20 m Ω  
Insulation resistance:500MΩ/DC500V  
Withstand voltage:AC2000V / 1 min  
Wire range:28~16AWG 1.5mm<sup>2</sup>

### Mechanical

Temp. Range:-40 ° C ~ + 105 ° C  
Steip length:4.5-5mm  
Torque:0.4Nm(3.5Lbin)



# PCB Terminal Block: Rising clamp & wire protector

**KLS**  
electronic

UL US CE VDE CQC CB RoHS ISO9001:2015

## CONN TERM BLK VERT Pin 5.00mm PCB



KLS2-332J-5.00

### Material

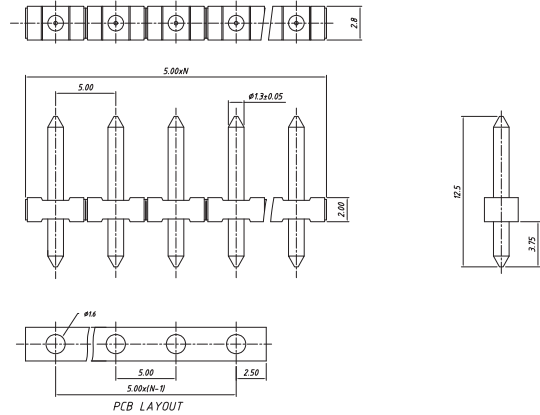
Housing: PBT UL94V-0  
Pin header: Brass, Tin plated

### Electrical

Rated voltage: 300V  
Rated current: 10A  
Contact Resistance: 20 mΩ  
Insulation resistance: 500MΩ/DC500V  
Withstand voltage: AC2000V / 1 min

### Mechanical

Temp. Range: -40 °C ~ + 105 °C  
Soldering: 250 °C 5Sec Max.



## CONN TERM BLK PLUG 5.00mm PCB



KLS2-331K-5.00

### Material

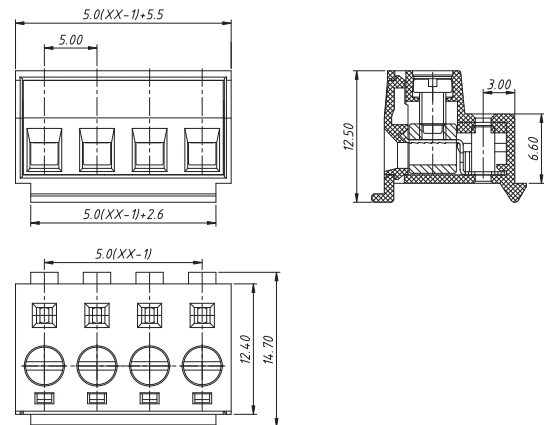
Housing: PA66, UL94V-0  
Cage: Brass, Tickel plated  
Wire guard: Phosphor Bronze, Nickel plated  
Screw: M2.5 steel, Zinc plated

### Electrical

Rated voltage: 300V  
Rated current: 12A  
Contact Resistance: 20 mΩ  
Insulation resistance: 500MΩ/DC500V  
Withstand voltage: AC2000V / 1 min  
Wire range: 22~14AWG 1.5mm<sup>2</sup>

### Mechanical

Temp. Range: -40 °C ~ + 105 °C  
Steip length: 6mm  
Soldering: 250 °C 5Sec Max.  
Torque: 0.4Nm(3.5Lbin)



## CONN TERM BLK PLUG 5.00mm PCB



KLS2-331KB-5.00

### Material

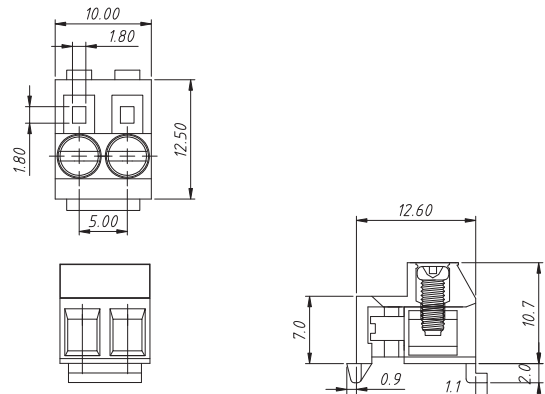
Housing: Polyamide Glass Filled, UL94V-0  
Contact: Brass, Nickel plated  
Wire guard: Beryllium copper, Tin plated  
Screw: M2.6 steel, Nickel plated

### Electrical

Rated voltage: 250V  
Rated current: 10A  
Contact Resistance: 20 mΩ  
Insulation resistance: 5000MΩ/DC1000V  
Withstand voltage: AC2000V / 1 min  
Wire range: 22~14AWG 1.5mm<sup>2</sup>

### Mechanical

Temp. Range: -30 °C ~ + 105 °C  
Steip length: 6mm  
Torque: 0.4Nm(3.5Lbin)



## CONN TERM BLK VERT 3.50&3.96mm PCB GREEN



KLS2-350-3.50/3.96

### Material

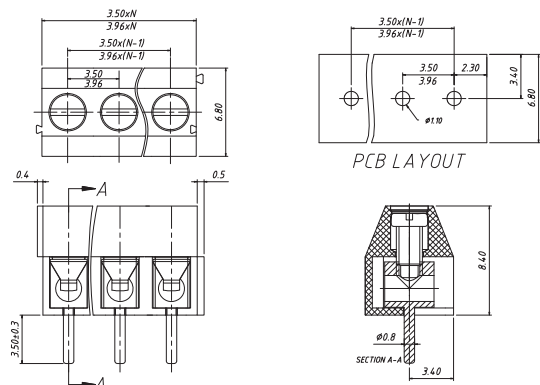
Housing: PA66, UL94V-0  
Pin header: Brass, Tin plated  
Shrapnel: Phosphor Bronze, Nickel plated  
Screw: M2 steel, Zn plated

### Electrical

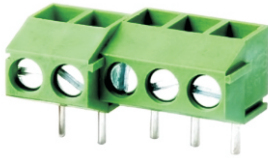
Rated voltage: 125V  
Rated current: 10A  
Contact Resistance: 20 mΩ  
Insulation resistance: 500MΩ/DC500V  
Withstand voltage: AC2000V / 1 min  
Wire range: 24~18AWG 1.0mm<sup>2</sup>

### Mechanical

Temp. Range: -40 °C ~ + 105 °C  
Steip length: 4.5-5mm  
Soldering: 250 °C 5Sec Max.  
Torque: 0.2Nm(1.7Lbin)



## CONN TERM BLK 90 DEG 3.50&3.96mm PCB GREEN



KLS2-350R-3.50

### Material

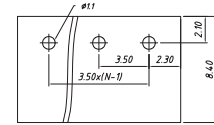
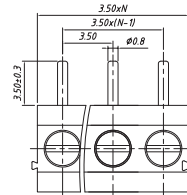
Housing:PA66, UL94V-0  
Pin header:Brass,Tin plated  
Shrapnel:Phosphor Bronze,Nickel plated  
Screw:M2 steel,Zn plated

### Electrical

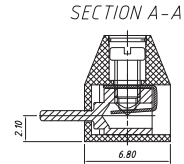
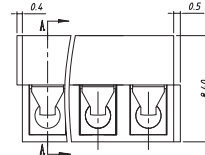
Rated voltage:125V  
Rated current:10A  
Contact Resistance:20 m Ω  
Insulation resistance:500MΩ/DC500V  
Withstand voltage:AC2000V / 1 min  
Wire range:24~18AWG 1.0mm<sup>2</sup>

### Mechanical

Temp. Range:-40 ° C ~ + 105 ° C  
Steip length:4.5-5mm  
Torque:0.2Nm(1.7Lbin)  
Soldering:250° C± 5° C for 5s



PCB LAYOUT



SECTION A-A

## CONN TERM BLK VERT 5.00mm PCB GREEN



KLS2-126-5.00

### Material

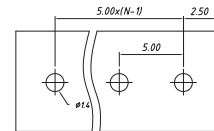
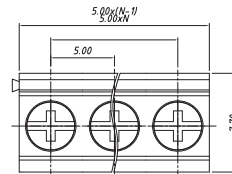
Housing:PA66, UL94V-0  
Pin header:Brass or steel,Tin plated  
Shrapnel:Stainless steel,Nickel plated  
Screw:M2.5 steel,Zn plated

### Electrical

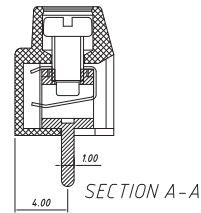
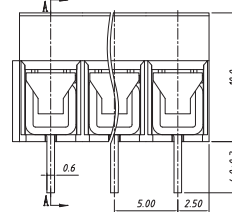
Rated voltage:300V  
Rated current:8A  
Contact Resistance:20 m Ω  
Insulation resistance:500MΩ/DC500V  
Withstand voltage:AC2000V / 1 min  
Wire range:26~14AWG 2.5mm<sup>2</sup>

### Mechanical

Temp. Range:-40 ° C ~ + 105 ° C  
Steip length:6-7mm  
Torque:0.4Nm(3.54Lbin)  
Soldering:250° C± 5° C for 5s



PCB LAYOUT



SECTION A-A

## CONN TERM BLK 90 DEG 5.00mm PCB GREEN



KLS2-126R-5.00

### Material

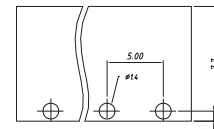
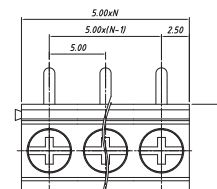
Housing:PA66, UL94V-0  
Pin header:Brass or steel,Tin plated  
Shrapnel:Stainless steel,Nickel plated  
Screw:M2.5 steel,Zn plated

### Electrical

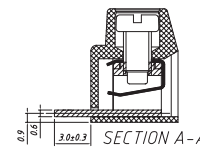
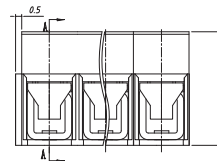
Rated voltage:300V  
Rated current:8A  
Contact Resistance:20 m Ω  
Insulation resistance:500MΩ/DC500V  
Withstand voltage:AC2000V / 1 min  
Wire range:26~14AWG 2.5mm<sup>2</sup>

### Mechanical

Temp. Range:-40 ° C ~ + 105 ° C  
Steip length:6-7mm  
Torque:0.4Nm(3.54Lbin)  
Soldering:250° C± 5° C for 5s

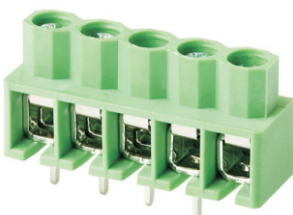


PCB LAYOUT



SECTION A-A

## CONN TERM BLK VERT 5.00mm PCB GREEN



KLS2-166-5.00

### Material

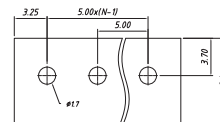
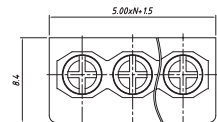
Housing:PA66, UL94V-0  
Pin header:Brass ,Tin plated  
Shrapnel:Stainless steel,Nickel plated  
Screw:M3 steel,Zn plated

### Electrical

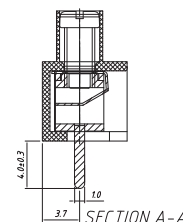
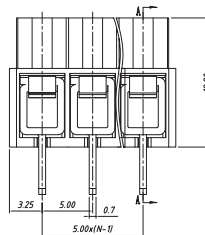
Rated voltage:300V  
Rated current:15A  
Contact Resistance:20 m Ω  
Insulation resistance:500MΩ/DC500V  
Withstand voltage:AC2000V / 1 min  
Wire range:26~14AWG 2.5mm<sup>2</sup>

### Mechanical

Temp. Range:-40 ° C ~ + 105 ° C  
Steip length:6-7mm  
Torque:0.5Nm(4.43Lbin)  
Soldering:250° C± 5° C for 5s



PCB LAYOUT



SECTION A-A

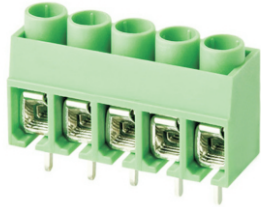


# PCB Terminal Block: Rising clamp & wire protector

**KLS**  
electronic

UL US CE D'E CQC CB RoHS ISO9001:2015

## CONN TERM BLK VERT 5.00mm PCB GREEN



KLS2-168-5.00

### Material

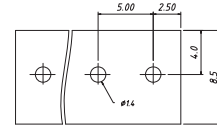
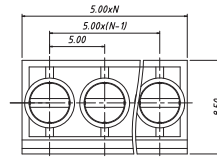
Housing: PA66, UL94V-0  
Pin header: Brass, Tin plated  
Shrapnel: Stainless steel, Nickel plated  
Screw: M2.5 steel, Zn plated

### Electrical

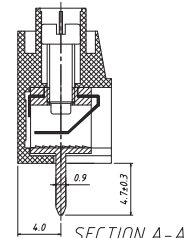
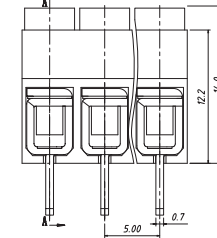
Rated voltage: 300V  
Rated current: 15A  
Contact Resistance: 20 mΩ  
Insulation resistance: 500MΩ/DC500V  
Withstand voltage: AC2000V / 1 min  
Wire range: 26~14AWG 2.5mm<sup>2</sup>

### Mechanical

Temp. Range: -40 °C ~ +105 °C  
Steip length: 6-7mm  
Torque: 0.4Nm (3.54Lbin)  
Soldering: 250° C ± 5° C for 5s

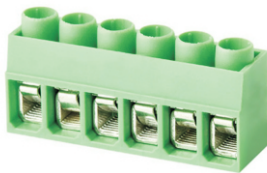


PCB LAYOUT



SECTION A-A

## CONN TERM BLK 90 DEG 5.00mm PCB GREEN



KLS2-168R-5.00

### Material

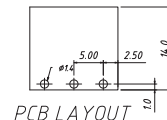
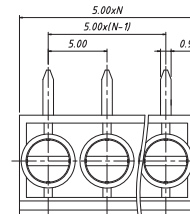
Housing: PA66, UL94V-0  
Pin header: Brass, Tin plated  
Shrapnel: Stainless steel, Nickel plated  
Screw: M2.5 steel, Zn plated

### Electrical

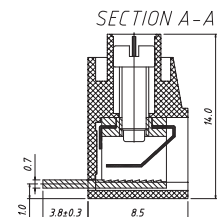
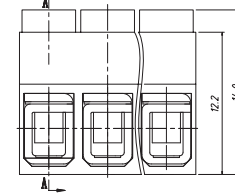
Rated voltage: 300V  
Rated current: 15A  
Contact Resistance: 20 mΩ  
Insulation resistance: 500MΩ/DC500V  
Withstand voltage: AC2000V / 1 min  
Wire range: 26~14AWG 2.5mm<sup>2</sup>

### Mechanical

Temp. Range: -40 °C ~ +105 °C  
Steip length: 6-7mm  
Torque: 0.4Nm (3.54Lbin)  
Soldering: 250° C ± 5° C for 5s



PCB LAYOUT



SECTION A-A

## CONN TERM BLK 45 DEG 5.00mm PCB GREEN



KLS2-104-5.00

### Material:

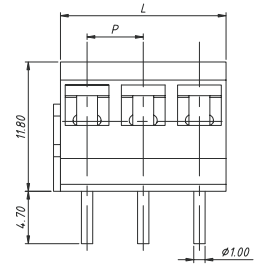
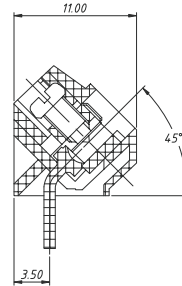
Screws: M2.5 steel Zinc plated  
Contact: Brass, Electroless nickel  
Pin header: Brass, Tin-plated  
Housing: PA66, UL94V-0

### Electrical :

Rated voltage: 300V  
Rated current: 15A  
Contact resistance: 20mΩ  
Insulation resistance: 5000MΩ/1000V  
Withstanding Voltage: AC2000V/1Min  
Wire range: 24-14AWG 2.5mm<sup>2</sup>

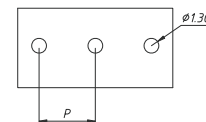
### Mechanical:

Temp. Range: -40°C ~ +105°C  
MAX Soldering: 250°C for 5 Sec.  
Torque: 0.5Nm (4.5 lb.in)  
Strip length: 6-7mm

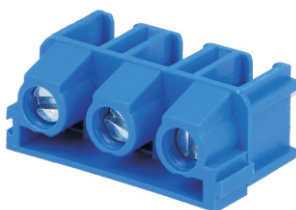


P.C.B.LAYOUT

P=5.00mm  
Length(L)=P\*Pole



## CONN TERM BLK VERT 7.50mm PCB



KLS2-360-7.50

### Material:

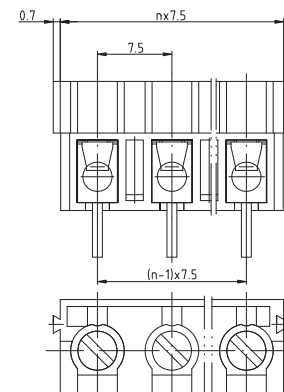
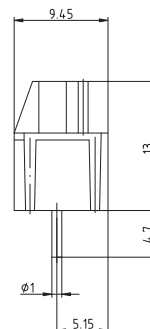
Screws: M3 steel Zinc plated  
Wire guard: phosphor bronze Ni plated  
Pin header: Brass, Tin plated  
Housing: PBT, UL94V-0

### Electrical :

Rated voltage: 300V  
Rated current: 16A  
Contact resistance: 20mΩ  
Insulation resistance: 5000MΩ/1000V  
Withstanding Voltage: AC15000V/1Min  
Wire range: 22-14AWG 2.5mm<sup>2</sup>

### Mechanical:

Temp. Range: -30°C ~ +120°C  
MAX Soldering: +250°C for 5 Sec.  
Torque: 0.5Nm (4.5 lb.in)  
Strip length: 4.5-5mm





# Pluggable Terminal Blocks

**CB RoHS ISO9001:2015**

## TERM BLOCK HDR 90 DEG 2.50MM

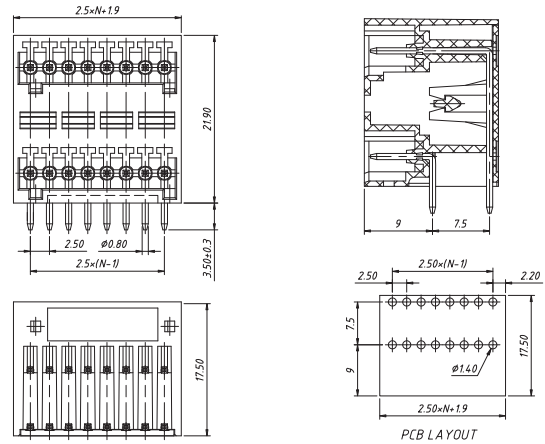


**KLS2-EDAR-2.50**

**Material**  
 Housing: PA66, UL94V-0  
 Pin header: Brass, Tin plated

**Electrical**  
 Rated voltage: 150V  
 Rated current: 5A  
 Contact Resistance: 20 mΩ  
 Insulation resistance: 500MΩ/DC500V  
 Withstand voltage: AC1250V / 1 min

**Mechanical**  
 Temp. Range: -40 °C ~ + 105 °C



## TERM BLOCK HDR 180 DEG 2.50MM

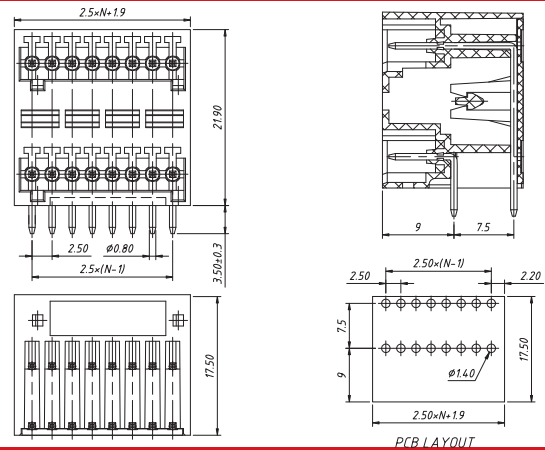


**KLS2-EDAV-2.50**

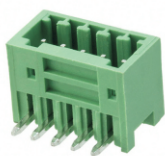
**Material**  
 Housing: PA66, UL94V-0  
 Pin header: Brass, Tin plated

**Electrical**  
 Rated voltage: 150V  
 Rated current: 5A  
 Contact Resistance: 20 mΩ  
 Insulation resistance: 500MΩ/DC500V  
 Withstand voltage: AC1250V / 1 min

**Mechanical**  
 Temp. Range: -40 °C ~ + 105 °C



## TERM BLOCK HDR 90 DEG 2.50MM

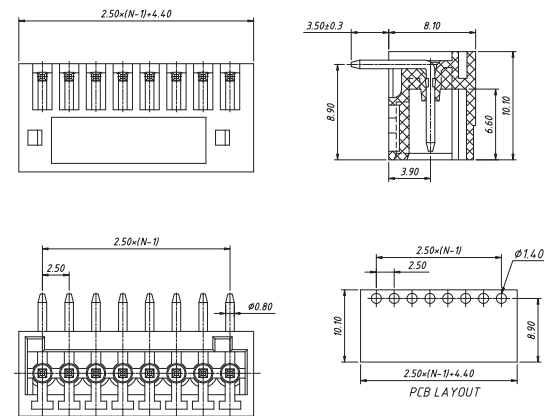


**KLS2-EDR-2.50**

**Material**  
 Housing: PA66, UL94V-0  
 Pin header: Brass, Tin plated

**Electrical**  
 Rated voltage: 150V  
 Rated current: 5A  
 Contact Resistance: 20 mΩ  
 Insulation resistance: 500MΩ/DC500V  
 Withstand voltage: AC1250V / 1 min

**Mechanical**  
 Temp. Range: -40 °C ~ + 105 °C



## TERM BLOCK HDR 180 DEG 2.50MM

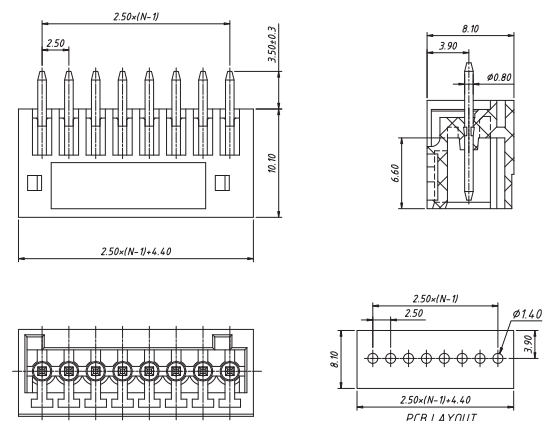


**KLS2-EDV-2.50**

**Material**  
 Housing: PA66, UL94V-0  
 Pin header: Brass, Tin plated

**Electrical**  
 Rated voltage: 150V  
 Rated current: 5A  
 Contact Resistance: 20 mΩ  
 Insulation resistance: 500MΩ/DC500V  
 Withstand voltage: AC1250V / 1 min

**Mechanical**  
 Temp. Range: -40 °C ~ + 105 °C



## TERM BLOCK PLUG STR 2.50MM



KLS2-EDGKD-2.50

### Material

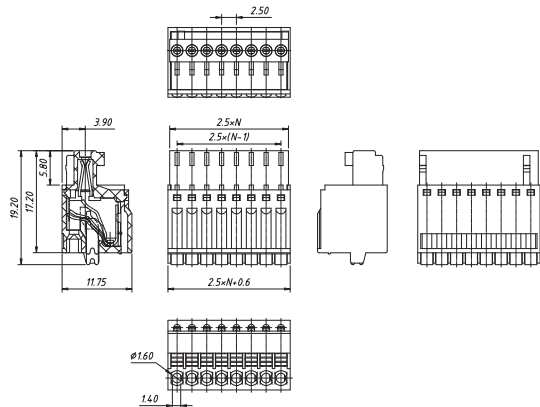
Clip: Phosphor bronze, Nickel  
Housing: PA66, UL94V-0  
Shrapnel: Stainless steel

### Electrical

Rated voltage: 150V  
Rated current: 5A  
Contact resistance: 20mΩ  
Insulation resistance: 500MΩ/DC500V  
Withstanding Voltage: AC2000V/1Min  
Wire range: 26-20AWG 0.5mm<sup>2</sup>

### Mechanical

Temp. Range: -40°C~+105°C



## TERM BLOCK PLUG STR 3.5MM



KLS2-FMC-3.50

### Material

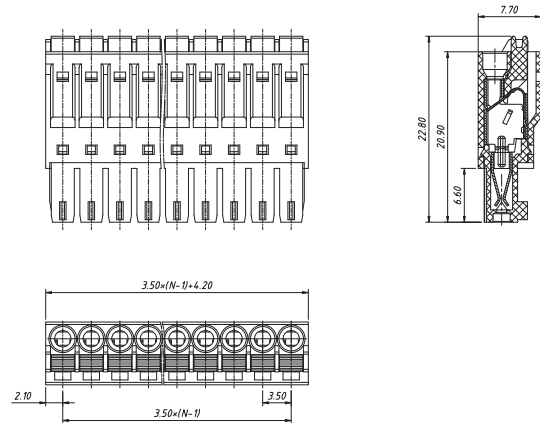
Housing: PA66, UL94V-0  
Clip: Phosphor bronze, Ni plated  
Shrapnel: Stainless steel

### Electrical

Rated voltage: 300V  
Rated current: 8A  
Contact resistance: 20mΩ  
Insulation resistance: 500MΩ/DC500V  
Withstanding Voltage: AC1600V/1Min  
Wire range: 24-16AWG 1.5mm<sup>2</sup>

### Mechanical

Temp. Range: -40°C~+105°C  
Strip length: 9-10mm



## TERM BLOCK PLUG STR 3.5MM



KLS2-FMCC-3.50

### Material

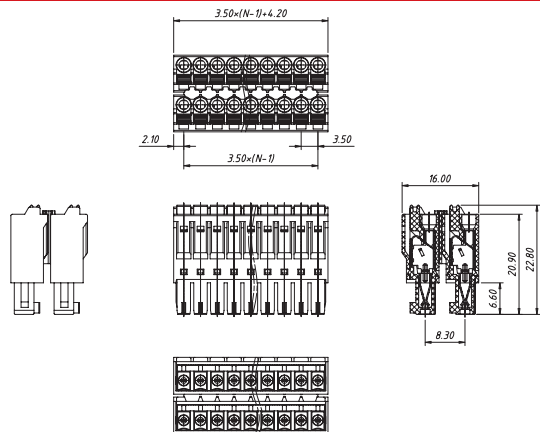
Housing: PA66, UL94V-0  
Clip: Phosphor bronze, Tin plated  
Shrapnel: Stainless steel

### Electrical

Rated voltage: 300V  
Rated current: 8A  
Contact resistance: 20mΩ  
Insulation resistance: 500MΩ/DC500V  
Withstanding Voltage: AC1600V/1Min  
Wire range: 24-16AWG 1.5mm<sup>2</sup>

### Mechanical

Temp. Range: -40°C~+105°C  
Strip length: 9-10mm



## TERM BLOCK PLUG STR 3.5MM



KLS2-FMD-3.50

### Material

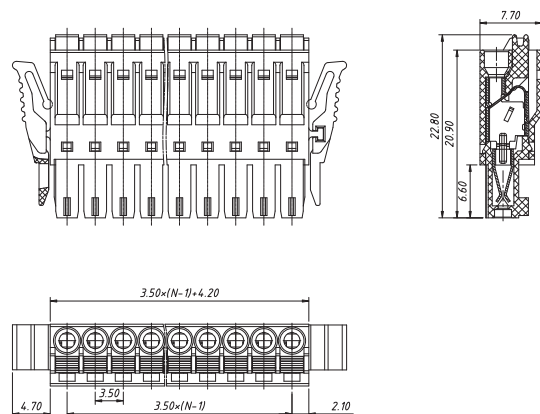
Housing: PA66, UL94V-0  
Clip: Phosphor bronze, Ni plated  
Shrapnel: Stainless steel

### Electrical

Rated voltage: 300V  
Rated current: 8A  
Contact resistance: 20mΩ  
Insulation resistance: 500MΩ/DC500V  
Withstanding Voltage: AC1600V/1Min  
Wire range: 24-16AWG 1.5mm<sup>2</sup>

### Mechanical

Temp. Range: -40°C~+105°C  
Strip length: 9-10mm





# Pluggable Terminal Blocks





**CB RoHS ISO9001:2015**

## TERM BLOCK PLUG STR 3.5MM



KLS2-FMDD-3.50

### Material

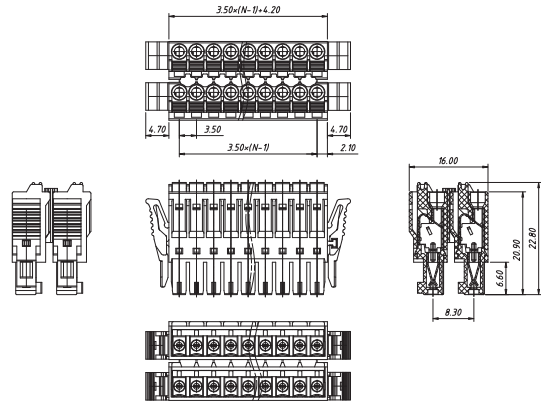
Housing:PA66, UL94V-0  
 Shrapnel:Stainless steel  
 Clamp:Phosphor bronze, Tin plated

### Electrical

Rated voltage:300 V  
 Rated current:8 A  
 Contact Resistance:20 mΩ  
 Withstand voltage:AC2000V / 1 Min  
 Insulation resistance:500MΩ/DC500V  
 Wire Range:24~16AWG 1.0mm<sup>2</sup>

### Mechanical

Temp. Range:-40 °C ~ + 105 °C  
 Strip length:9-10mm



## TERM BLOCK PLUG STR 3.5MM



KLS2-FME-3.50

### Material

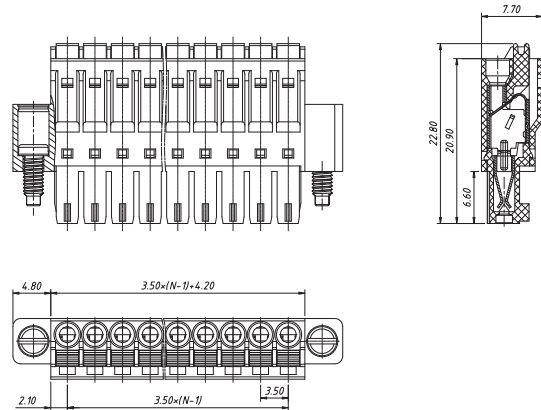
Housing:PA66, UL94V-0  
 Clamp:Phosphor bronze, Ni plated  
 Shrapnel:Stainless steel  
 Screw:M3 Steel, Zn plated

### Electrical

Rated voltage:300V  
 Rated current:8A  
 Contact Resistance:20 mΩ  
 Insulation resistance:500MΩ/DC500V  
 Withstand voltage:AC2000V / 1 min  
 Wire Range:24~16AWG 1.0mm<sup>2</sup>

### Mechanical

Temp. Range:-40 °C ~ + 105 °C  
 Strip length:9~10mm



## TERM BLOCK PLUG STR 3.5MM



KLS2-FMEE-3.50

### Material

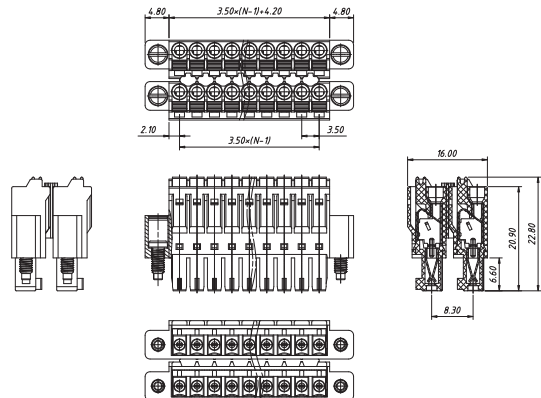
Housing:PA66, UL94V-0  
 Clamp:Phosphor bronze, Tin Plated  
 Shrapnel:Stainless steel  
 Screw:M3 Steel, Zn plated

### Electrical

Rated voltage:300V  
 Rated current:8A  
 Contact Resistance:20 mΩ  
 Insulation resistance:500MΩ/DC500V  
 Withstand voltage:AC2000V / 1 min  
 Wire Range:24~16AWG 1.0mm<sup>2</sup>

### Mechanical

Temp. Range:-40 °C ~ + 105 °C  
 Strip length:9~10mm



## TERM BLOCK PLUG STR 3.5/3.81MM



KLS2-EDK-3.50/3.81

### Material

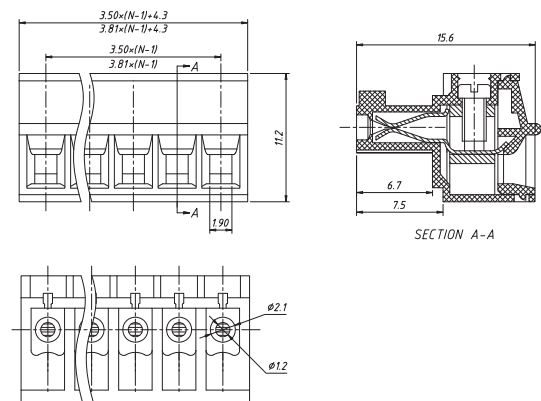
Housing:PA66, UL94V-0  
 Clamp:Phosphor bronze, Ni Plated  
 Screws:M2 Steel, Zinc plated  
 Wire guard:Brass, Ni plated

### Electrical

Rated voltage:300V  
 Rated current:8A  
 Contact Resistance:20 mΩ  
 Insulation resistance:500MΩ/DC500V  
 Withstand voltage:AC2000V / 1 min  
 Wire Range: 28~16AWG 1.5mm<sup>2</sup>

### Mechanical

Temp. Range:-40 °C ~ + 105 °C  
 Strip length: 6~7mm  
 Torque:0.2Nm(1.7 Lb.in)



## TERM BLOCK PLUG STR 3.50/3.81MM



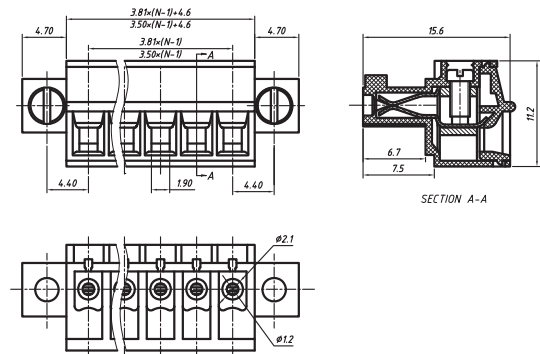
KLS2-EDCKM-3.50/3.81

### Material

Housing:PA66, UL94V-0  
 Clamp:Phosphor bronze, Ni Plated  
 Screws:M2 Steel,Zinc plated  
 Wire guard:Brass,Ni plated  
**Electrical**  
 Rated voltage:300V  
 Rated current:8A  
 Contact Resistance:20 m Ω  
 Insulation resistance:500MΩ/DC500V  
 Withstand voltage:AC2000V / 1 min  
 Wire Range: 28~16AWG 1.5mm<sup>2</sup>

### Mechanical

Temp. Range:-40 ° C ~ + 105 ° C  
 Strip length: 6~7mm  
 Torque:0.2Nm(1.7Lb.in)



## TERM BLOCK PLUG 90 DEG 3.50/3.81MM



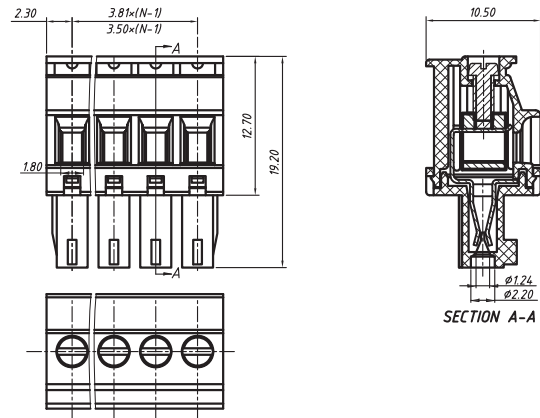
KLS2-EDCD-3.50/3.81

### Material

Housing:PA66, UL94V-0  
 Clamp:Phosphor bronze, Ni Plated  
 Screws:M2 Steel,Zinc plated  
 Wire guard:Brass,Ni plated  
**Electrical**  
 Rated voltage:300V  
 Rated current:8A  
 Contact Resistance:20 m Ω  
 Insulation resistance:500MΩ/DC500V  
 Withstand voltage:AC2000V / 1 min  
 Wire Range: 28~16AWG 1.5mm<sup>2</sup>

### Mechanical

Temp. Range:-40 ° C ~ + 105 ° C  
 Strip length: 6~7mm  
 Torque:0.2Nm(1.7 Lb.in)



## TERM BLOCK PLUG 90 DEG 3.50/3.81MM



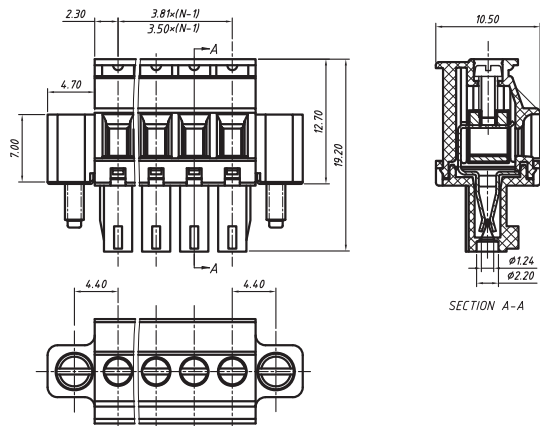
KLS2-EDCDM-3.50/3.81

### Material

Housing:PA66, UL94V-0  
 Clamp:Phosphor bronze, Ni Plated  
 Screws:M2 Steel,Zinc plated  
 Wire guard:Brass,Ni plated  
**Electrical**  
 Rated voltage:300V  
 Rated current:8A  
 Contact Resistance:20 m Ω  
 Insulation resistance:500MΩ/DC500V  
 Withstand voltage:AC2000V / 1 min  
 Wire Range: 28~16AWG 1.5mm<sup>2</sup>

### Mechanical

Temp. Range:-40 ° C ~ + 105 ° C  
 Strip length: 6~7mm  
 Torque:0.2Nm(1.7 Lb.in)



## TERM BLOCK PLUG 3.50/3.81MM



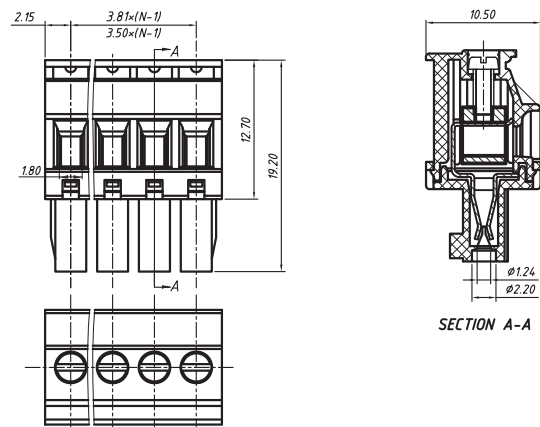
KLS2-EDND-3.50/3.81

### Material

Housing:PA66, UL94V-0  
 Clamp:Phosphor bronze, Ni Plated  
 Screws:M2 Steel,Zinc plated  
 Wire guard:Brass,Ni plated  
**Electrical**  
 Rated voltage:300V  
 Rated current:8A  
 Contact Resistance:20 m Ω  
 Insulation resistance:500MΩ/DC500V  
 Withstand voltage:AC2000V / 1 min  
 Wire Range: 28~16AWG 1.5mm<sup>2</sup>

### Mechanical

Temp. Range:-40 ° C ~ + 105 ° C  
 Strip length: 6~7mm  
 Torque:0.2Nm(1.7 Lb.in)



# Pluggable Terminal Blocks





**CB RoHS ISO9001:2015**

## TERM BLOCK PLUG 3.50/3.81MM



**KLS2-EDNDM-3.50/3.81**

**Material**

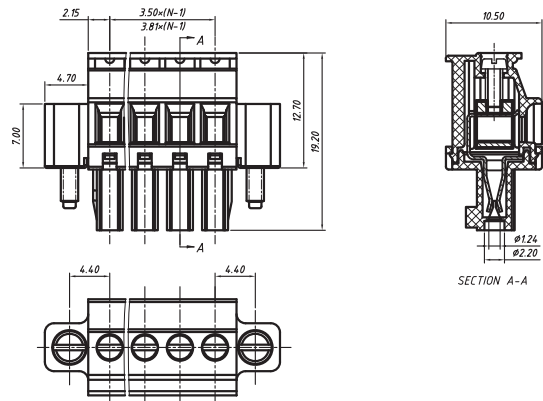
Housing:PA66, UL94V-0  
 Clamp:Phosphor bronze, Ni Plated  
 Screws:M2 Steel,Zinc plated  
 Wire guard:Brass,Ni plated

**Electrical**

Rated voltage:300V  
 Rated current:8A  
 Contact Resistance:20 m Ω  
 Insulation resistance:500MΩ/DC500V  
 Withstand voltage:AC2000V / 1 min  
 Wire Range: 28~16AWG 1.5mm<sup>2</sup>

**Mechanical**

Temp. Range:-40 ° C ~ + 105 ° C  
 Strip length: 6~7mm  
 Torque:0.2Nm(1.7 Lb.in)



## TERM BLOCK PLUG STR 3.81MM



**KLS2-EDKC-3.81**

**Material**

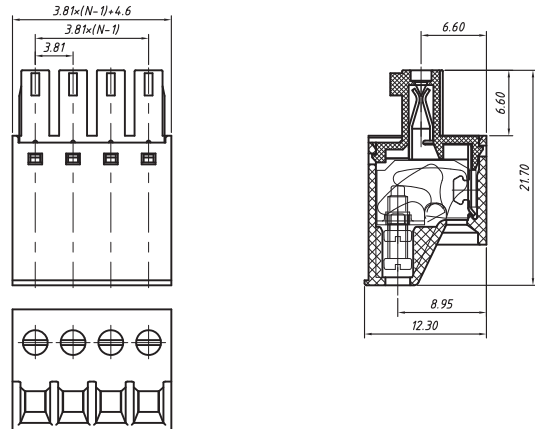
Housing:PA66, UL94V-0  
 Clamp:Phosphor bronze, Ni Plated  
 Screws:M2 Steel,Zinc plated  
 Cage:Brass ,Zn plated  
 Slide block:Steel,Zn plated

**Electrical**

Rated voltage:300V  
 Rated current:8A  
 Contact Resistance:20 m Ω  
 Insulation resistance:500MΩ/DC500V  
 Withstand voltage:AC2000V / 1 min  
 Wire Range:28~16AWG 1.0mm<sup>2</sup>

**Mechanical**

Temp. Range:-40 ° C ~ + 105 ° C  
 Strip length:7mm  
 Torque:0.2Nm(1.8 Lb.in)



## TERM BLOCK PLUG STR 3.81MM



**KLS2-EDKCM-3.81**

**Material**

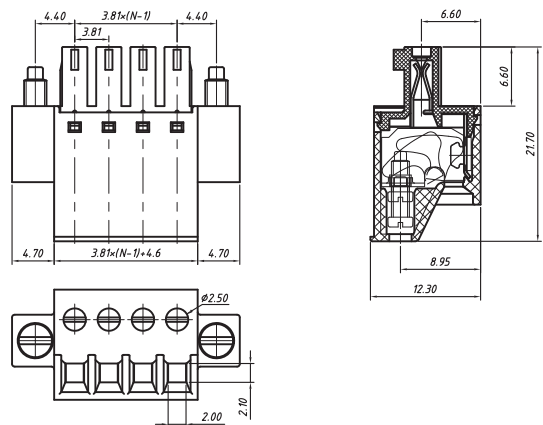
Housing:PA66, UL94V-0  
 Screws:M2.0,Steel,Zn plated  
 Clamp:Phosphor bronze, Ni Plated  
 Cage:Brass ,Zn plated  
 Slide block:Steel,Zn plated

**Electrical**

Rated voltage:300V  
 Rated current:8A  
 Contact Resistance:20 m Ω  
 Insulation resistance:500MΩ/DC500V  
 Withstand voltage:AC2000V / 1 min  
 Wire Range:28~16AWG 1.5mm<sup>2</sup>

**Mechanical**

Temp. Range:-40 ° C ~ + 105 ° C  
 Strip length:7mm  
 Torque:0.2Nm(1.8 Lb.in)



## TERM BLOCK PLUG STR 3.50/ 3.81MM



**KLS2-EDGKD-3.50/3.81**

**Material**

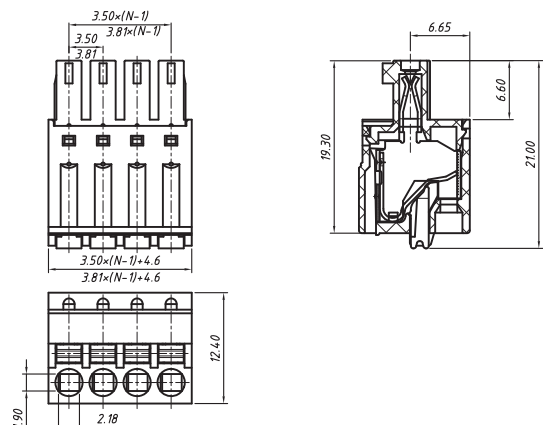
Housing:PA66, UL94V-0  
 Clamp:Phosphor bronze, Tin Plated  
 Wire guard:Stainless steel

**Electrical**

Rated voltage:300V  
 Rated current:8A  
 Contact Resistance:20 m Ω  
 Insulation resistance: 500MΩ/DC500V  
 Withstand voltage:AC2000V / 1 min  
 Wire Range:28~16AWG 1.0mm<sup>2</sup>

**Mechanical**

Temp. Range:-40 ° C ~ + 105 ° C  
 Strip length:7~8 mm  
 Torque: 0.4Nm(3.6 Lb.in)



## TERM BLOCK PLUG STR 3.50/ 3.81MM



KLS2-EDGKDM-3.50/3.81

### Material

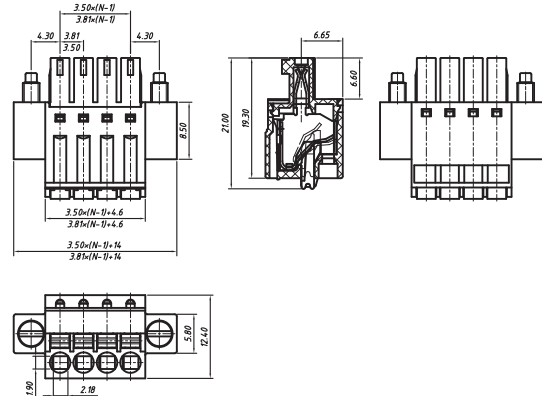
Housing:PA66, UL94V-0  
Screws:M2.5,Steel,Zn Plated  
Clamp:Phosphor bronze,Ni plated  
Wire guard:Stainless steel

### Electrical

Rated voltage:300V  
Rated current:8A  
Contact Resistance:20 m Ω  
Insulation resistance:500MΩ/DC500V  
Withstand voltage:AC2000V / 1 min  
Wire Range:28~16AWG 1.0mm<sup>2</sup>

### Mechanical

Temp. Range:-40 °C ~ + 105 °C  
Strip length:7~8 mm  
Torque:0.4Nm(3.6 Lb.in)



## TERM BLOCK HDR VERT 3.81MM



KLS2-EDKH-3.81

### Material

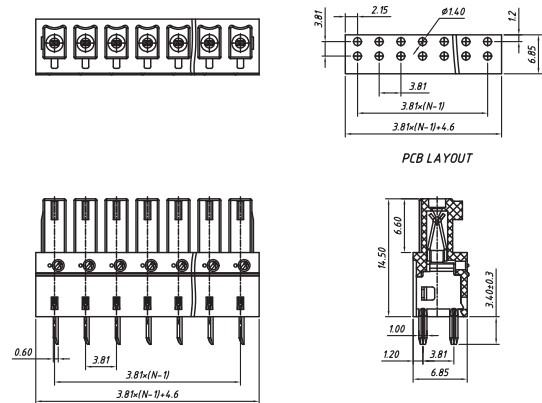
Housing:PA66, UL94V-0  
Clamp:Phosphor Bronze,Tin plated

### Electrical

Rated voltage:300V  
Rated current:8A  
Contact Resistance:20 m Ω  
Insulation resistance:500MΩ/DC500V  
Withstand voltage:AC2000V / 1 min

### Mechanical

Temp. Range:-40 °C ~ + 105 °C



## TERM BLOCK HDR VERT 3.81MM



KLS2-EDKHM-3.81

### Material

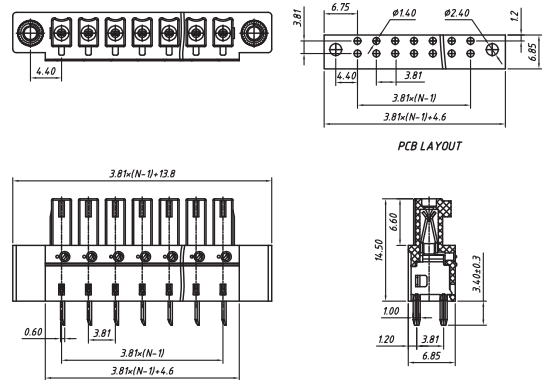
Housing:PA66, UL94V-0  
Clamp:Phosphor Bronze,Tin plated

### Electrical

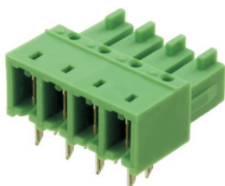
Rated voltage:300V  
Rated current:8A  
Contact Resistance:20 m Ω  
Insulation resistance:500MΩ/DC500V  
Withstand voltage:AC2000V / 1 min

### Mechanical

Temp. Range:-40 °C ~ + 105 °C



## TERM BLOCK HDR 90 DEG 3.81MM



KLS2-EDKR-3.81

### Material

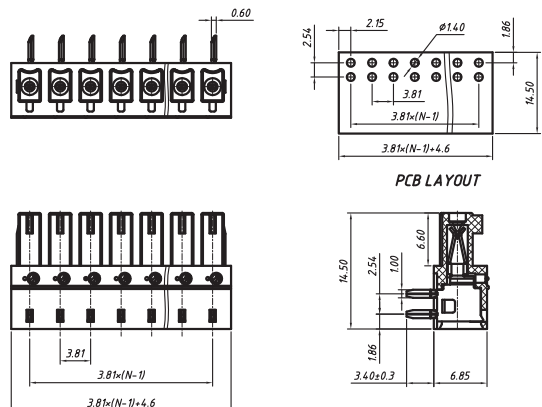
Housing:PA66, UL94V-0  
Clamp:Phosphor Bronze,Tin plated

### Electrical

Rated voltage:300V  
Rated current:8A  
Contact Resistance:20 m Ω  
Insulation resistance:500MΩ/DC500V  
Withstand voltage:AC2000V / 1 min

### Mechanical

Temp. Range:-40 °C ~ + 105 °C





# Pluggable Terminal Blocks

**CB RoHS ISO9001:2015**

## TERM BLOCK HDR 90 DEG 3.81MM

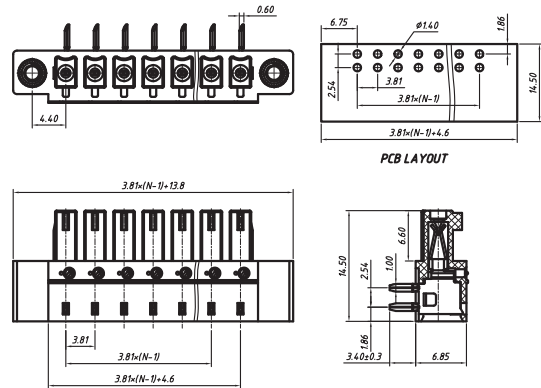


**KLS2-EDKRM-3.81**

**Material**  
 Housing:PA66, UL94V-0  
 Clamp:Phosphor Bronze, Tin plated

**Electrical**  
 Rated voltage:300V  
 Rated current:8A  
 Contact Resistance:20 m Ω  
 Insulation resistance:500MΩ/DC500V  
 Withstand voltage:AC2000V / 1 min

**Mechanical**  
 Temp. Range:-40 ° C ~ + 105 ° C



## TERM BLOCK PLUG STR 3.81MM

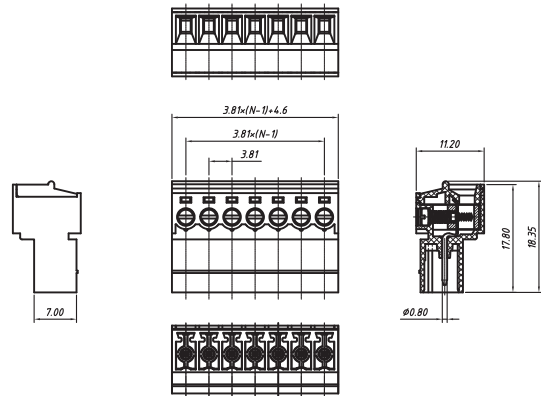


**KLS2-EDGF-3.81**

**Material**  
 Housing:PA66, UL94V-0  
 Screw:M2 Steel, Zn plated  
 Clamp:Phosphor bronze, Ni plated  
 Cage:Brass, Ni plated

**Electrical**  
 Rated voltage:300V  
 Rated current:8A  
 Contact Resistance:20 m Ω  
 Insulation resistance:500MΩ/DC500V  
 Withstand voltage:AC2000V / 1 min  
 Wire Range:28~16AWG 1.5mm<sup>2</sup>

**Mechanical**  
 Temp. Range:-40 ° C ~ + 105 ° C  
 Strip length:6~7mm  
 Torque: 0.2Nm(1.77Lb.in)



## TERM BLOCK PLUG STR 3.81MM

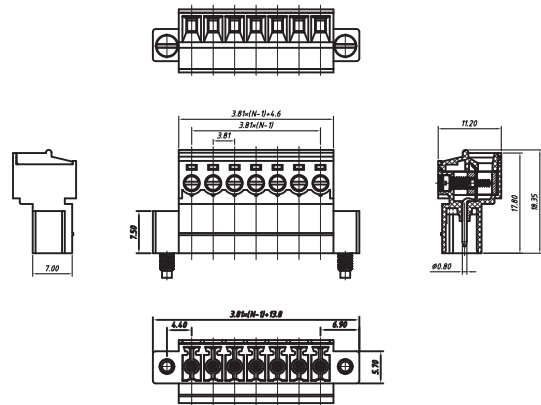


**KLS2-EDGFM-3.81**

**Material**  
 Housing:PA66, UL94V-0  
 Screw:M2 Steel, Zn plated  
 Clamp:Brass, Ni plated  
 Cage:Brass, Ni plated  
 Fix screws:M2.5 Steel, Zn plated

**Electrical**  
 Rated voltage:300V  
 Rated current:8A  
 Contact Resistance:20 m Ω  
 Insulation resistance:500MΩ/DC500V  
 Withstand voltage:AC2000V / 1 min  
 Wire Range:28~16AWG 1.5mm<sup>2</sup>

**Mechanical**  
 Temp. Range:-40 ° C ~ + 105 ° C  
 Strip length:6~7mm  
 Torque: 0.2Nm(1.77Lb.in)



## TERM BLOCK PLUG STR 3.81MM

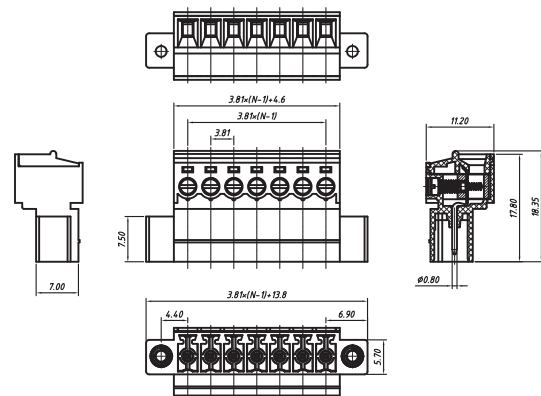


**KLS2-EDGN-3.81**

**Material**  
 Housing:PA66, UL94V-0  
 Screw:M2.5 Steel, Zn plated  
 Clamp:Brass, Ni plated  
 Cage:Brass, Ni plated  
 Nut:M2.5 Brass

**Electrical**  
 Rated voltage:300V  
 Rated current:8A  
 Contact Resistance:20 m Ω  
 Insulation resistance:500MΩ/DC500V  
 Withstand voltage:AC2000V / 1 min  
 Wire Range:28~16AWG 1.5mm<sup>2</sup>

**Mechanical**  
 Temp. Range:-40 ° C ~ + 105 ° C  
 Strip length:6~7mm  
 Torque: 0.2Nm(1.77Lb.in)



## TERM BLOCK HDR VERT 3.50/3.81MM

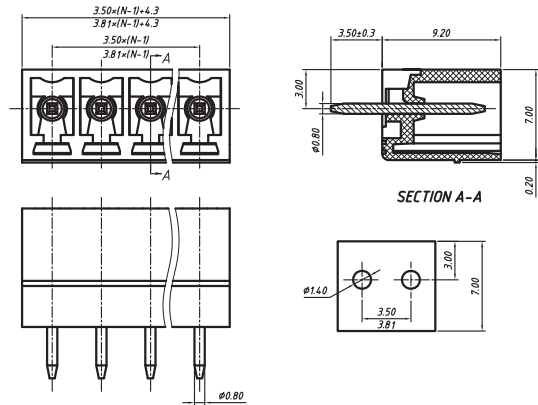


KLS2-EDV-3.50/3.81

**Material**  
Housing:PA66, UL94V-0  
Pin header:Brass, Tin plated

**Electrical**  
Rated voltage:300V  
Rated current:8A  
Contact Resistance:20 m Ω  
Insulation resistance:500MΩ/DC500V  
Withstand voltage:AC2000V / 1 min

**Mechanical**  
Temp. Range:-40 ° C ~ + 105 ° C



## TERM BLOCK HDR VERT 3.50/3.81MM

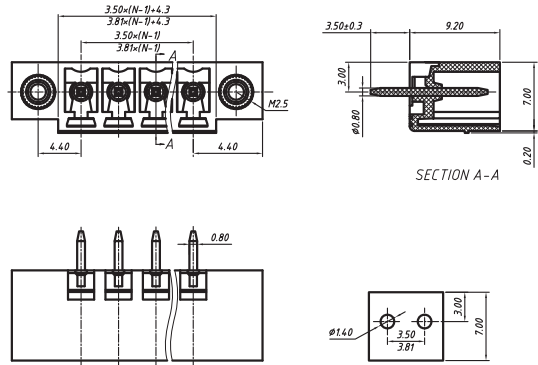


KLS2-EDLV-3.50/3.81

**Material**  
Housing:PA66, UL94V-0  
Pin header:Brass, Tin plated  
Nut:M2.5 Brass

**Electrical**  
Rated voltage:300V  
Rated current:8A  
Contact Resistance:20 m Ω  
Insulation resistance:500MΩ/DC500V  
Withstand voltage:AC2000V / 1 min

**Mechanical**  
Temp. Range:-40 ° C ~ + 105 ° C



## TERM BLOCK HDR 90 DEG 3.50/3.81MM

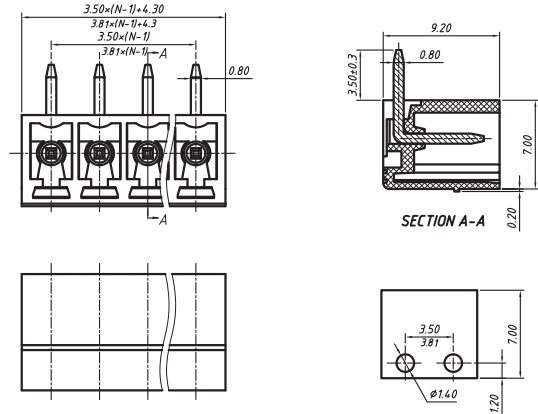


KLS2-EDR-3.50/3.81

**Material**  
Housing:PA66, UL94V-0  
Pin header:Brass, Tin plated

**Electrical**  
Rated voltage:300V  
Rated current:8A  
Contact Resistance:20 m Ω  
Insulation resistance:500MΩ/DC500V  
Withstand voltage:AC2000V / 1 min

**Mechanical**  
Temp. Range:-40 ° C ~ + 105 ° C



## TERM BLOCK HDR 90 DEG 3.50/3.81MM

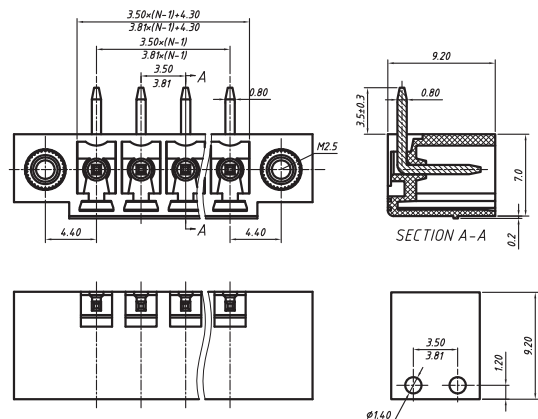


KLS2-EDLR-3.50/3.81

**Material**  
Housing:PA66, UL94V-0  
Pin header:Brass, Tin plated  
Nut:M2.5 Brass

**Electrical**  
Rated voltage:300V  
Rated current:8A  
Contact Resistance:20 m Ω  
Insulation resistance:500MΩ/DC500V  
Withstand voltage:AC2000V / 1 min

**Mechanical**  
Temp. Range:-40 ° C ~ + 105 ° C



# Pluggable Terminal Blocks

**CB RoHS ISO9001:2015**

## TERM BLOCK HDR 45 DEG 3.81MM

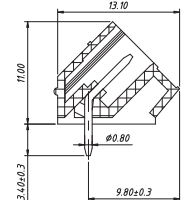
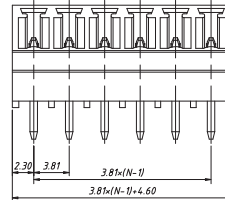
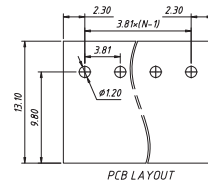
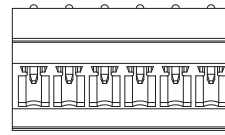


**KLS2-EDY-3.81**

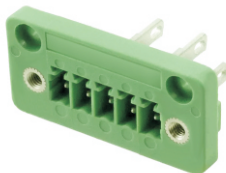
**Material**  
 Housing:PA66, UL94V-0  
 Pin header:Copper alloy,Sn plated

**Electrical**  
 Rated voltage:300V  
 Rated current:8A  
 Contact Resistance:20 m Ω  
 Insulation resistance:500MΩ/DC500V  
 Withstand voltage:AC2000V / 1 min

**Mechanical**  
 Temp. Range:-40 ° C ~ + 105 ° C



## TERM BLOCK HDR VERT 3.81MM

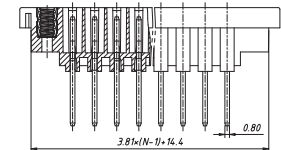
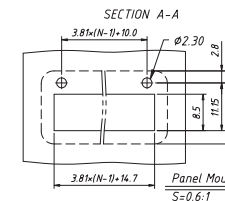
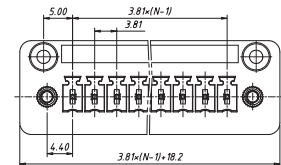
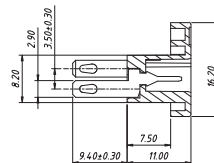


**KLS2-EDGM-3.81**

**Material**  
 Housing:PA66, UL94V-0  
 Pin header:Brass,Tin plated  
 Nut:M2.5 Brass

**Electrical**  
 Rated voltage:300V  
 Rated current:8A  
 Contact Resistance:20 m Ω  
 Insulation resistance:500MΩ/DC500V  
 Withstand voltage:AC2000V / 1 min

**Mechanical**  
 Temp. Range:-40 ° C ~ + 105 ° C  
 Soldering:250° C 5Sec.Max.



## TERM BLOCK HDR VERT 3.50/3.81MM

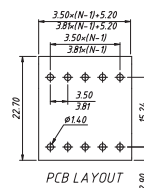
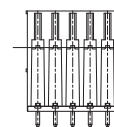
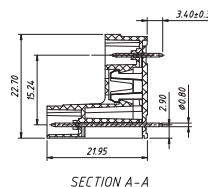
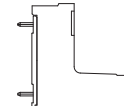
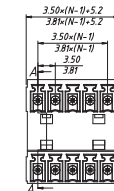


**KLS2-EDBV-3.50/3.81**

**Material**  
 Housing:PA66, UL94V-0  
 Pin header:Brass,Tin plated

**Electrical**  
 Rated voltage:300V  
 Rated current:8A  
 Contact Resistance:20 m Ω  
 Insulation resistance:500MΩ/DC500V  
 Withstand voltage:AC2000V / 1 min

**Mechanical**  
 Temp. Range:-40 ° C ~ + 105 ° C



## TERM BLOCK HDR VERT 3.50/3.81MM

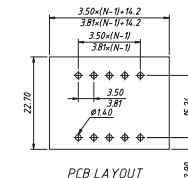
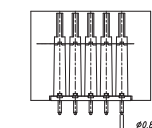
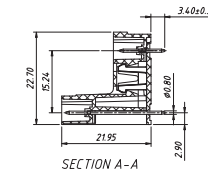
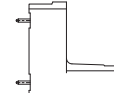
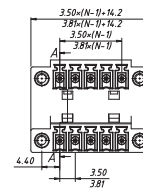


**KLS2-EDBVM-3.50/3.81**

**Material**  
 Housing:PA66, UL94V-0  
 Pin header:Brass,Tin plated  
 Nut:M2.5 Brass

**Electrical**  
 Rated voltage:300V  
 Rated current:8A  
 Contact Resistance:20 m Ω  
 Insulation resistance:500MΩ/DC500V  
 Withstand voltage:AC2000V / 1 min

**Mechanical**  
 Temp. Range:-40 ° C ~ + 105 ° C



### TERM BLOCK HDR 90 DEG 3.50&3.81mm

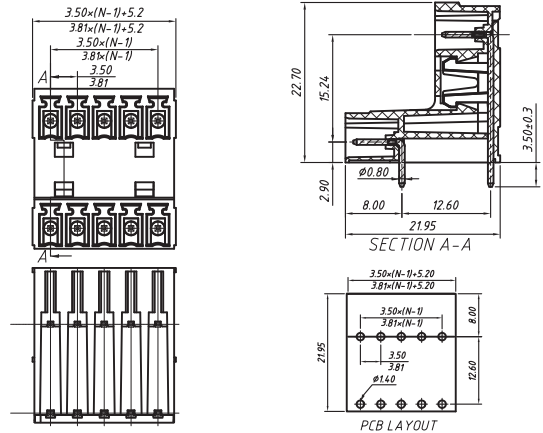


KLS2-EDBR-3.50/3.81

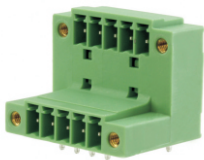
**Material**  
 Housing: PA66, UL94V-0  
 Pin header: Brass, Tin plated

**Electrical**  
 Rated voltage: 300V  
 Rated current: 8A  
 Contact Resistance: 20 mΩ  
 Insulation resistance: 500MΩ/DC500V  
 Withstand voltage: AC2000V / 1 min

**Mechanical**  
 Temp. Range: -40 °C ~ + 105 °C



### TERM BLOCK HDR 90 DEG 3.50&3.81mm

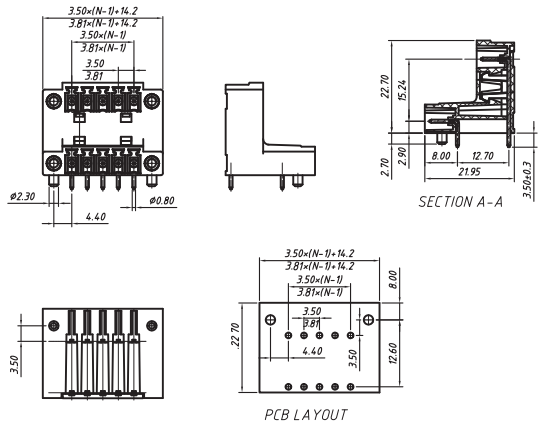


KLS2-EDBRM-3.50/3.81

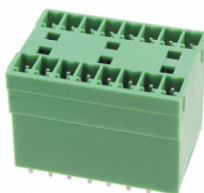
**Material**  
 Housing: PA66, UL94V-0  
 Pin header: Brass, Tin plated  
 Nut: M2.5 Brass

**Electrical**  
 Rated voltage: 300V  
 Rated current: 8A  
 Contact Resistance: 20 mΩ  
 Insulation resistance: 500MΩ/DC500V  
 Withstand voltage: AC2000V / 1 min

**Mechanical**  
 Temp. Range: -40 °C ~ + 105 °C



### TERM BLOCK HDR VERT 3.50/3.81MM

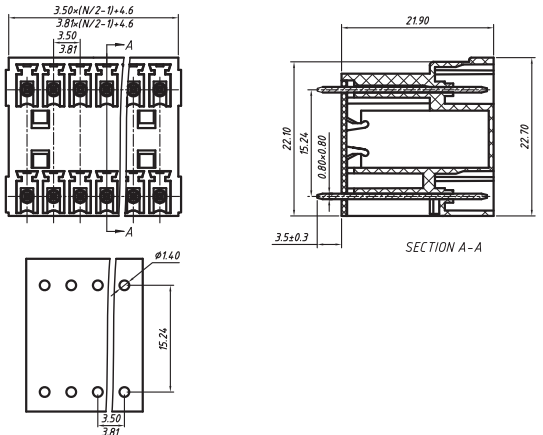


KLS2-EDAV-3.50/3.81

**Material**  
 Housing: PA66, UL94V-0  
 Pin header: Brass, Tin plated

**Electrical**  
 Rated voltage: 300V  
 Rated current: 8A  
 Contact Resistance: 20 mΩ  
 Insulation resistance: 500MΩ/DC500V  
 Withstand voltage: AC2000V / 1 min

**Mechanical**  
 Temp. Range: -40 °C ~ + 105 °C



### TERM BLOCK HDR VERT 3.50/3.81MM

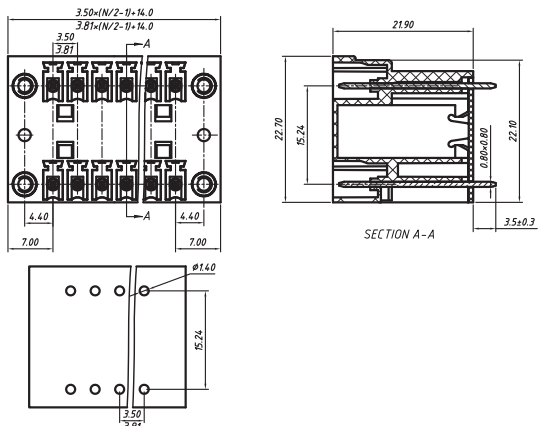


KLS2-EDALV-3.50/3.81

**Material**  
 Housing: PA66, UL94V-0  
 Pin header: Brass, Tin plated  
 Nut: M2.5 Brass

**Electrical**  
 Rated voltage: 300V  
 Rated current: 8A  
 Contact Resistance: 20 mΩ  
 Insulation resistance: 500MΩ/DC500V  
 Withstand voltage: AC2000V / 1 min

**Mechanical**  
 Temp. Range: -40 °C ~ + 105 °C





# Pluggable Terminal Blocks

**CB RoHS ISO9001:2015**

## TERM BLOCK HDR 90 DEG 3.50&3.81mm

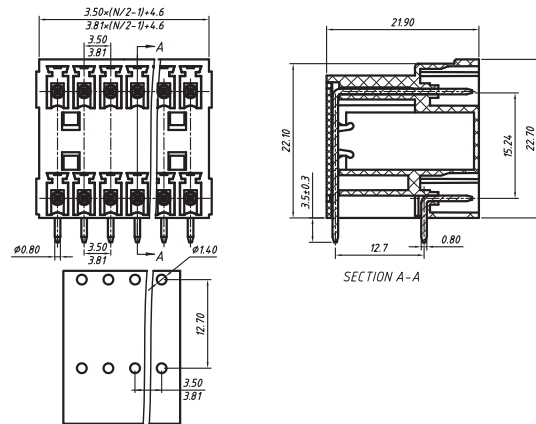


KLS2-EDAR-3.50/3.81

**Material**  
Housing:PA66, UL94V-0  
Pin header:Brass, Tin plated

**Electrical**  
Rated voltage:300V  
Rated current:8A  
Contact Resistance:20 m Ω  
Insulation resistance:500MΩ/DC500V  
Withstand voltage:AC2000V / 1 min

**Mechanical**  
Temp. Range:-40 ° C ~ + 105 ° C



## TERM BLOCK HDR 90 DEG 3.50&3.81mm

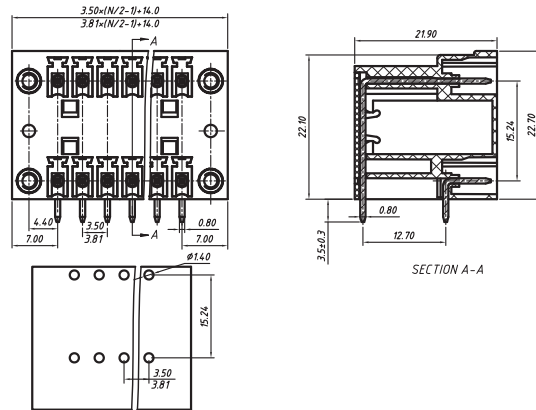


KLS2-EDALR-3.50/3.81

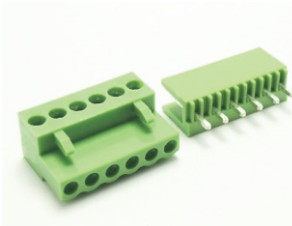
**Material**  
Housing:PA66, UL94V-0  
Pin header:Brass, Tin plated  
Nut:M2.5 Brass

**Electrical**  
Rated voltage:300V  
Rated current:8A  
Contact Resistance:20 m Ω  
Insulation resistance:500MΩ/DC500V  
Withstand voltage:AC2000V / 1 min

**Mechanical**  
Temp. Range:-40 ° C ~ + 105 ° C



## TERM BLOCK PLUG 3.96MM

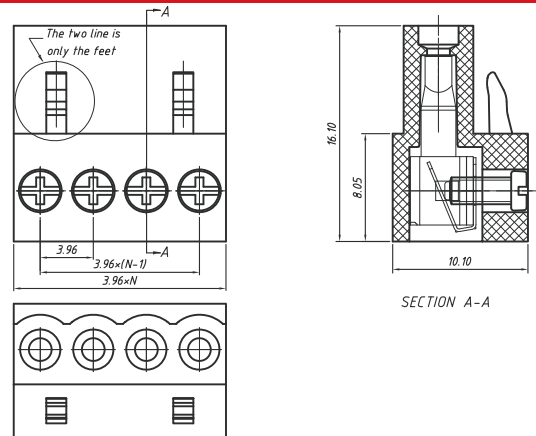


KLS2-EDK-3.96

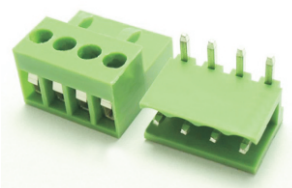
**Material**  
Housing:PA66, UL94V-0  
Clamp:Bronze, Ni Plated  
Screws:M2 Steel, Zn plated  
Shrapnel:Brass, Ni plated

**Electrical**  
Rated voltage:300V  
Rated current:8A  
Contact Resistance:20 m Ω  
Insulation resistance:500MΩ/DC500V  
Withstand voltage:AC2000V / 1 min  
Wire Range:28~16AWG 1.0mm<sup>2</sup>

**Mechanical**  
Temp. Range:-40 ° C ~ + 105 ° C  
Torque: 0.2Nm(1.7 Lb.in)



## TERM BLOCK HDR VERT 3.96MM

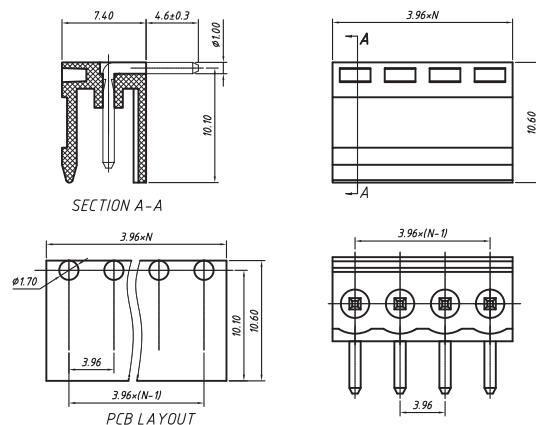


KLS2-EDR-3.96

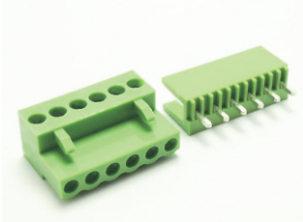
**Material**  
Housing:PA66, UL94V-0  
Pin header:Brass, Tin plated

**Electrical**  
Rated voltage:300V  
Rated current:8A  
Contact Resistance:20 m Ω  
Insulation resistance:500MΩ/DC500V  
Withstand voltage:AC2000V / 1 min

**Mechanical**  
Temp. Range:-40 ° C ~ + 105 ° C



## TERM BLOCK HDR 90 DEG 3.96MM



KLS2-EDV-3.96

### Material

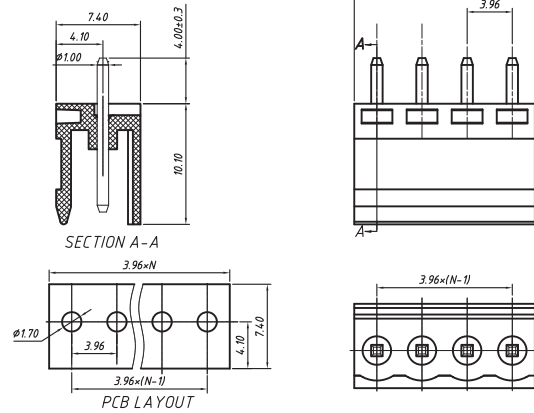
Housing: PA66, UL94V-0  
Pin header: Brass, Tin plated

### Electrical

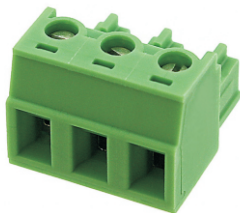
Rated voltage: 300V  
Rated current: 8A  
Contact Resistance: 20 mΩ  
Insulation resistance: 500MΩ/DC500V  
Withstand voltage: AC2000V / 1 min

### Mechanical

Temp. Range: -40 °C ~ + 105 °C



## TERM BLOCK PLUG STR 5.08MM



KLS2-EDKFF-5.08

### Material

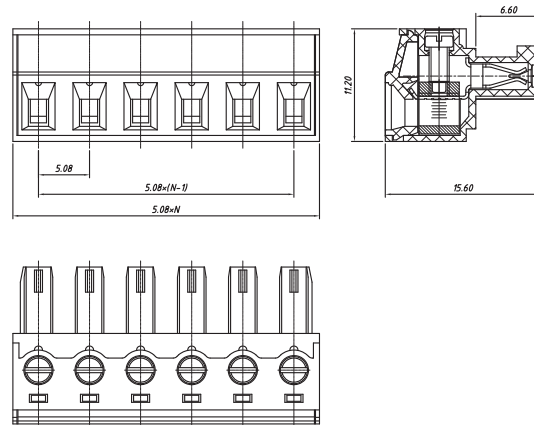
Housing: PA66, UL94V-0  
Cage: Brass, Ni plated  
Clamp: Phosphor bronze, Ni plated  
Screws: M2.0, Steel, Zn plated

### Electrical

Rated voltage: 300V  
Rated current: 8A  
Contact Resistance: 20 mΩ  
Insulation resistance: 500MΩ/DC500V  
Withstand voltage: AC2000V / 1 min  
Wire Range: 28~16AWG 1.0mm<sup>2</sup>

### Mechanical

Temp. Range: -40 °C ~ + 105 °C  
Strip length: 6~7mm  
Torque: 0.2Nm (1.7Lb.in)



## TERM BLOCK PLUG STR 5.08MM



KLS2-EDKFFM-5.08

### Material

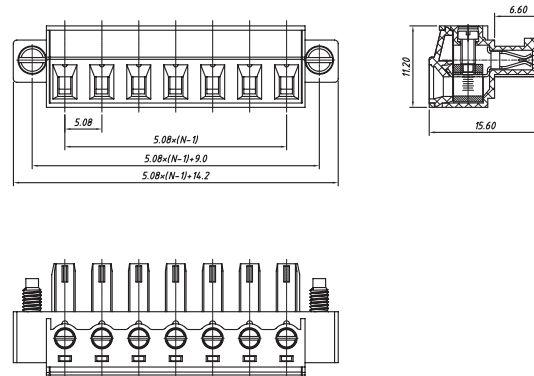
Housing: PA66, UL94V-0  
Cage: Brass, Ni plated  
Clamp: Phosphor bronze, Ni plated  
Screws: M2.0, Steel, Zn plated

### Electrical

Rated voltage: 300V  
Rated current: 8A  
Contact Resistance: 20 mΩ  
Insulation resistance: 500MΩ/DC500V  
Withstand voltage: AC2000V / 1 min  
Wire Range: 28~16AWG 1.0mm<sup>2</sup>

### Mechanical

Temp. Range: -40 °C ~ + 105 °C  
Strip length: 6~7mm  
Torque: 0.2Nm (1.7Lb.in)



## TERM BLOCK HDR VERT 5.08MM



KLS2-EDKFFV-5.08

### Material

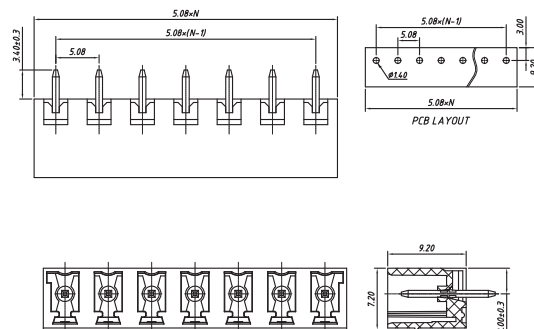
Housing: PA66, UL94V-0  
Pin header: Brass, Tin plated

### Electrical

Rated voltage: 300V  
Rated current: 8A  
Contact Resistance: 20 mΩ  
Insulation resistance: 500MΩ/DC500V  
Withstand voltage: AC2000V / 1 min

### Mechanical

Temp. Range: -40 °C ~ + 105 °C



# Pluggable Terminal Blocks

**CB RoHS ISO9001:2015**

## TERM BLOCK HDR VERT 5.08MM

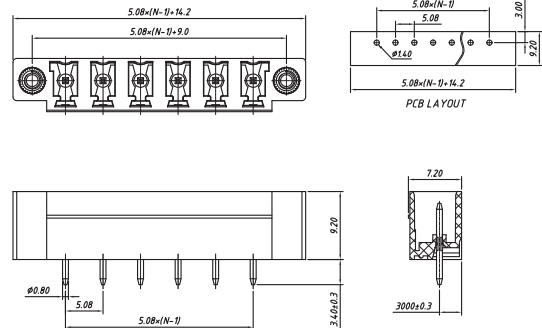


KLS2-EDKFVM-5.08

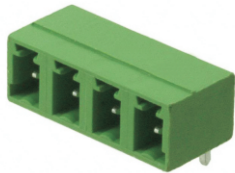
**Material**  
Housing:PA66, UL94V-0  
Pin header:Brass, Tin plated

**Electrical**  
Rated voltage:300V  
Rated current:8A  
Contact Resistance:20 m Ω  
Insulation resistance:500MΩ/DC500V  
Withstand voltage:AC2000V / 1 min

**Mechanical**  
Temp. Range:-40 ° C ~ + 105 ° C



## TERM BLOCK HDR 90 DEG 5.08MM

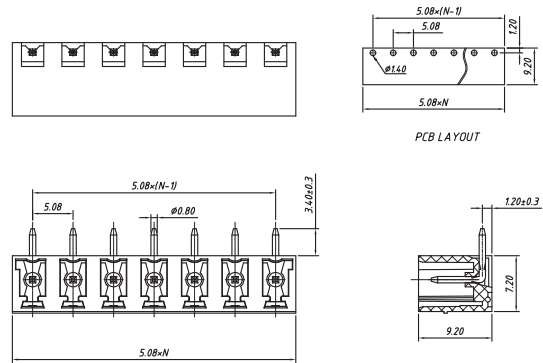


KLS2-EDKFR-5.08

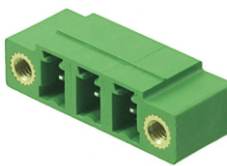
**Material**  
Housing:PA66, UL94V-0  
Pin header:Brass, Tin plated

**Electrical**  
Rated voltage:300V  
Rated current:8A  
Contact Resistance:20 m Ω  
Insulation resistance:500MΩ/DC500V  
Withstand voltage:AC2000V / 1 min

**Mechanical**  
Temp. Range:-40 ° C ~ + 105 ° C



## TERM BLOCK HDR 90 DEG 5.08MM

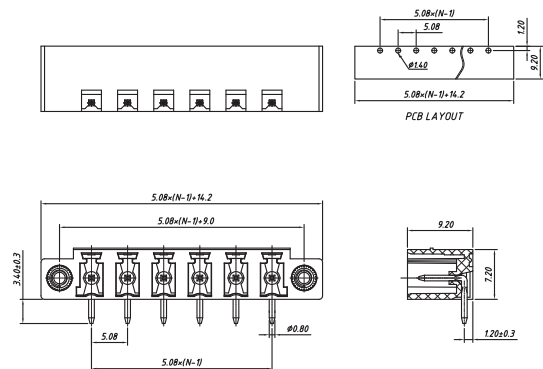


KLS2-EDKFRM-5.08

**Material**  
Housing:PA66, UL94V-0  
Pin header:Brass, Tin plated

**Electrical**  
Rated voltage:300V  
Rated current:8A  
Contact Resistance:20 m Ω  
Insulation resistance:500MΩ/DC500V  
Withstand voltage:AC2000V / 1 min

**Mechanical**  
Temp. Range:-40 ° C ~ + 105 ° C



## TERM BLOCK PLUG STR 5.00/5.08MM

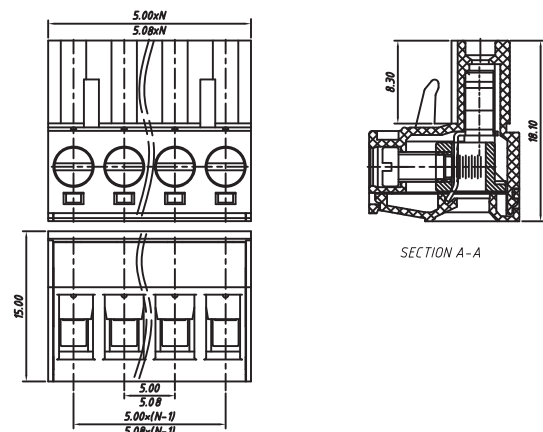


KLS2-EDK-5.00/5.08

**Material**  
Housing:PA66, UL94V-0  
Cage:Lron,Nickel plated  
Clamp:Phosphor bronze, Nickel plated  
Screws:M3.0, Steel,Zn plated

**Electrical**  
Rated voltage:300V  
Rated current:15A  
Contact Resistance:20 m Ω  
Insulation resistance:500MΩ/DC500V  
Withstand voltage:AC2000V / 1 min  
Wire Range: 28~14AWG 2.5mm<sup>2</sup>

**Mechanical**  
Temp. Range:-40 ° C ~ + 105 ° C  
Strip length:7~8mm  
Torque:5.1kgf-cm(0.5Nm/4.43Lb.in)



## TERM BLOCK PLUG STR 5.00/5.08MM



KLS2-EDCKM-5.00/5.08

**Material**

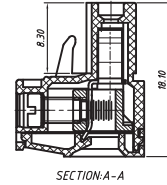
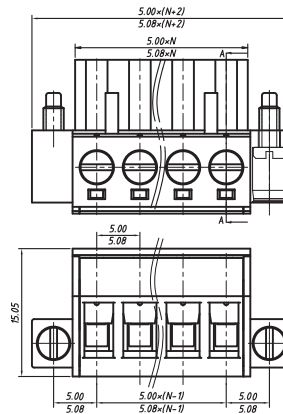
Housing:PA66, UL94V-0  
Wire guard:Brass,Ni plated  
Clamp:Phosphor bronze, Nickel plated  
Screws:M3.0, Steel,Zn plated

**Electrical**

Rated voltage:300V  
Rated current:15A  
Contact Resistance:20 m Ω  
Insulation resistance:500MΩ/DC500V  
Withstand voltage:AC2000V / 1 min  
Wire Range: 28~14AWG 1.5mm<sup>2</sup>

**Mechanical**

Temp. Range:-40 ° C ~ + 105 ° C  
Strip length:7~8mm  
Torque:0.5Nm(4.5Lb.in)



## TERM BLOCK PLUG STR 5.00/5.08MM



KLS2-EDKA-5.00/5.08

**Material**

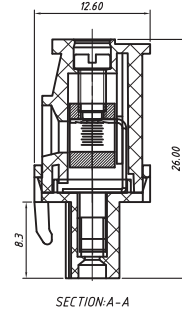
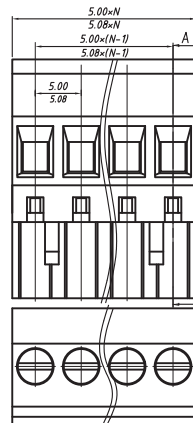
Housing:PA66, UL94V-0  
Cage:Brass,Ni plated  
Clamp:Phosphor bronze, Ni plated  
Screws:M3.0, Steel,Zn plated

**Electrical**

Rated voltage:300V  
Rated current:15A  
Contact Resistance:20 m Ω  
Insulation resistance:500MΩ/DC500V  
Withstand voltage:AC2000V / 1 min  
Wire Range: 28~14AWG 1.5mm<sup>2</sup>

**Mechanical**

Temp. Range:-40 ° C ~ + 105 ° C  
Strip length:7~8mm  
Torque:0.5Nm(4.5Lb.in)



## TERM BLOCK PLUG STR 5.00/5.08MM



KLS2-EDKAM-5.00/5.08

**Material**

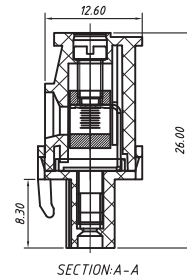
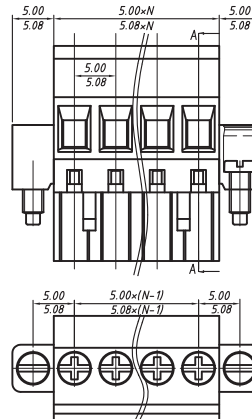
Housing:PA66, UL94V-0  
Cage:Brass,Ni plated  
Clamp:Phosphor bronze, Ni plated  
Screws:M3.0, Steel,Zn plated

**Electrical**

Rated voltage:300V  
Rated current:15A  
Contact Resistance:20 m Ω  
Insulation resistance:500MΩ/DC500V  
Withstand voltage:AC2000V / 1 min  
Wire Range: 28~14AWG 1.5mm<sup>2</sup>

**Mechanical**

Temp. Range:-40 ° C ~ + 105 ° C  
Strip length:7~8mm  
Torque:0.5Nm(4.5Lb.in)



## TERM BLOCK PLUG STR 5.00/5.08MM



KLS2-EDKB-5.00/5.08

**Material**

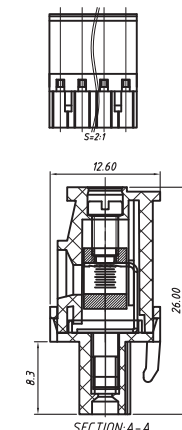
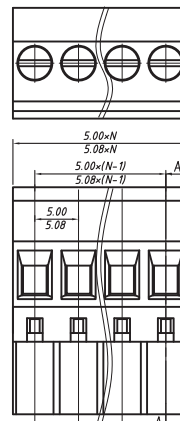
Housing:PA66, UL94V-0  
Cage:Brass,Ni plated  
Clamp:Phosphor bronze, Ni plated  
Screws:M3.0, Steel,Zn plated

**Electrical**

Rated voltage:300V  
Rated current:15A  
Contact Resistance:20 m Ω  
Insulation resistance:500MΩ/DC500V  
Withstand voltage:AC2000V / 1 min  
Wire Range: 28~14AWG 1.5mm<sup>2</sup>

**Mechanical**

Temp. Range:-40 ° C ~ + 105 ° C  
Strip length:7~8mm  
Torque:0.5Nm(4.5Lb.in)





# Pluggable Terminal Blocks


**CB RoHS ISO9001:2015**

## TERM BLOCK PLUG STR 5.00/5.08MM

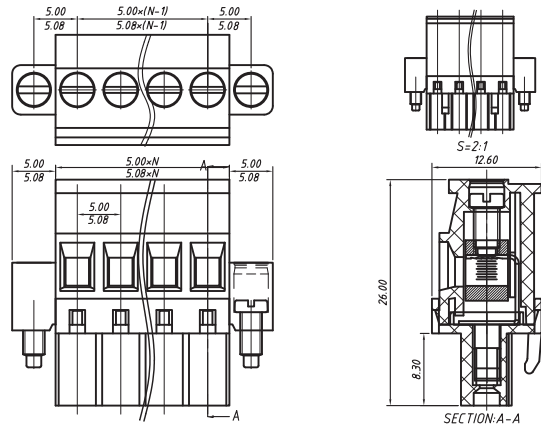


**KLS2-EDKBM-5.00/5.08**

**Material**  
 Housing:PA66, UL94V-0  
 Cage:Brass,Ni plated  
 Clamp:Phosphor bronze, Ni plated  
 Screws:M3.0, Steel,Zn plated

**Electrical**  
 Rated voltage:300V  
 Rated current:15A  
 Contact Resistance:20 m Ω  
 Insulation resistance:500MΩ/DC500V  
 Withstand voltage:AC2000V / 1 min  
 Wire Range: 28~14AWG 1.5mm<sup>2</sup>

**Mechanical**  
 Temp. Range:-40 ° C ~ + 105 ° C  
 Strip length:7~8mm  
 Torque:0.5Nm(4.5Lb.in)



## TERM BLOCK PLUG STR 5.08MM

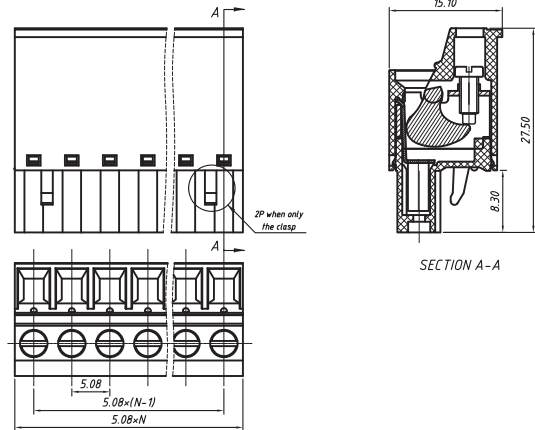


**KLS2-EDKC-5.08**

**Material**  
 Housing:PA66, UL94V-0  
 Cage:Steel,Zn plated  
 Screws:M2.5, Steel,Zn plated  
 Slide block:Steel,Zn plated  
 Clamp:Phosphor bronze, Ni plated

**Electrical**  
 Rated voltage:300V  
 Rated current:15A  
 Contact Resistance:20 m Ω  
 Insulation resistance:500MΩ/DC500V  
 Withstand voltage:AC2000V / 1 min  
 Wire Range: 28~14AWG 1.5mm<sup>2</sup>

**Mechanical**  
 Temp. Range:-40 ° C ~ + 105 ° C  
 Strip length:7~8mm  
 Torque:0.54Nm(3.6Lb.in)



## TERM BLOCK PLUG STR 5.08MM

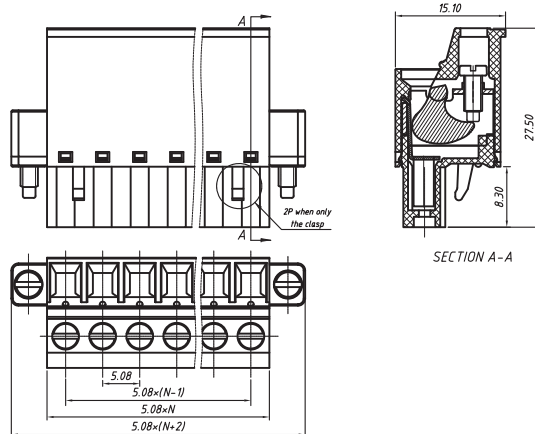


**KLS2-EDKCM-5.08**

**Material**  
 Housing:PA66, UL94V-0  
 Cage:Steel,Zn plated  
 Screws:M2.5, Steel,Zn plated  
 Slide block:Steel,Zn plated  
 Clamp:Phosphor bronze, Ni plated

**Electrical**  
 Rated voltage:300V  
 Rated current:15A  
 Contact Resistance:20 m Ω  
 Insulation resistance:500MΩ/DC500V  
 Withstand voltage:AC2000V / 1 min  
 Wire Range: 28~14AWG 1.5mm<sup>2</sup>

**Mechanical**  
 Temp. Range:-40 ° C ~ + 105 ° C  
 Strip length:7~8mm  
 Torque:0.54Nm(3.6Lb.in)



## TERM BLOCK PLUG 5.08MM

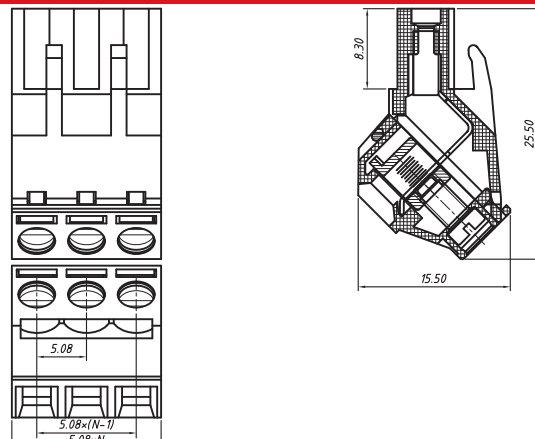


**KLS2-ELK-5.08**

**Material**  
 Housing:PA66, UL94V-0  
 Pin header:Brass,Tin plated  
 Screws:M3, Steel,Zn plated

**Electrical**  
 Rated voltage:300V  
 Rated current:15A  
 Contact Resistance:20 m Ω  
 Insulation resistance:500MΩ/DC500V  
 Withstand voltage:AC2000V / 1 min  
 Wire Range: 28~14AWG 1.5mm<sup>2</sup>

**Mechanical**  
 Temp. Range:-40 ° C ~ + 105 ° C  
 Strip length:7~8mm  
 Torque:0.5Nm(4.43Lb.in)

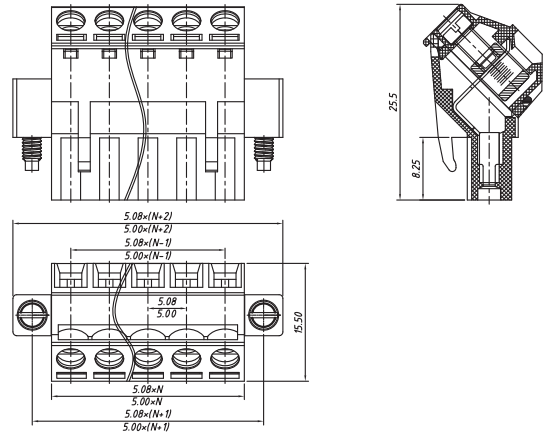


## TERM BLOCK PLUG STR 5.00&5.08mm



KLS2-ELKM-5.00/5.08

**Material**  
 Housing:PA66, UL94V-0  
 Wire guard:Copper alloy, Ni plated  
 Screws:M3.0, Steel,Zn plated  
 Clamp:Copper alloy, Ni plated  
**Electrical**  
 Rated voltage:300V  
 Rated current:15A  
 Contact Resistance:20 m  $\Omega$   
 Insulation resistance:500M $\Omega$ /DC500V  
 Withstand voltage:AC2000V / 1 min  
 Wire Range: 28~14AWG 2.5mm<sup>2</sup>  
**Mechanical**  
 Temp. Range:-40 ° C ~ + 105 ° C  
 Torque:0.51Nm(4.5Lbin)

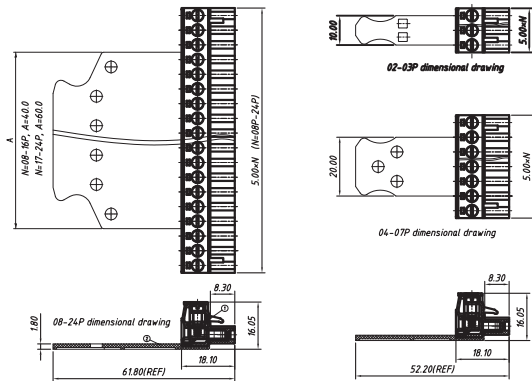


## TERM BLOCK PLUG STR 5.0MM



KLS2-EDKS-5.00

**Material**  
 Housing:PA66, UL94V-0  
 Cage:Brass, Ni plated  
 Screws:M3.0, Steel,Zn plated  
 Clamp:Phosphor bronze, Ni plated  
**Electrical**  
 Rated voltage:300V  
 Rated current:15A  
 Contact Resistance:20 m  $\Omega$   
 Insulation resistance:500M $\Omega$ /DC500V  
 Withstand voltage:AC2000V / 1 min  
 Wire Range: 26~14AWG 2.5mm<sup>2</sup>  
**Mechanical**  
 Temp. Range:-40 ° C ~ + 105 ° C  
 Strip length:7~8mm  
 Torque:0.5Nm(4.5Lbin)

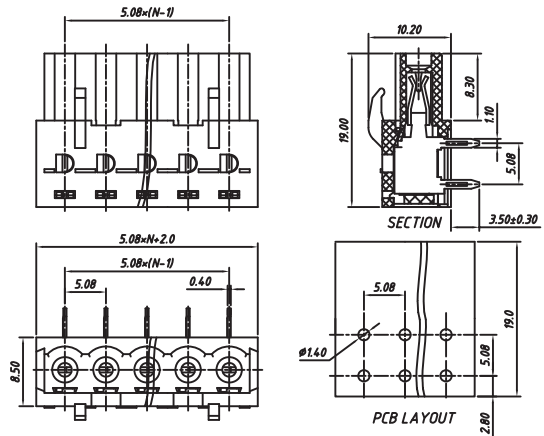


## TERM BLOCK HDR 90 DEG 5.08MM



KLS2-EDKR-5.08

**Material**  
 Housing:PA66, UL94V-0  
 Pin header:Phosphor bronze,Tin plated  
**Electrical**  
 Rated voltage:300V  
 Rated current:15A  
 Contact Resistance:20 m  $\Omega$   
 Insulation resistance:500M $\Omega$ /DC500V  
 Withstand voltage:AC2000V / 1 min  
**Mechanical**  
 Temp. Range:-40 ° C ~ + 105 ° C  
 Soldering:250 ° C 5Sec.Max.

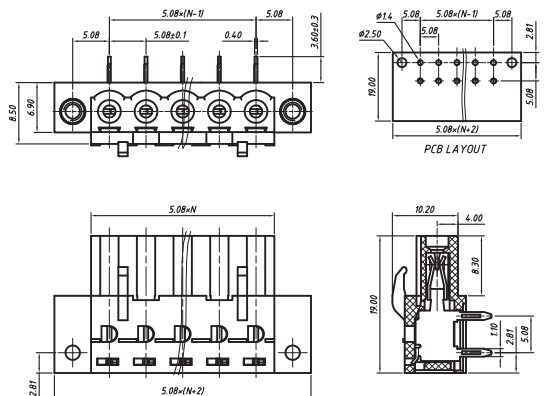


## TERM BLOCK HDR 90 DEG 5.08MM



KLS2-EDKRM-5.08

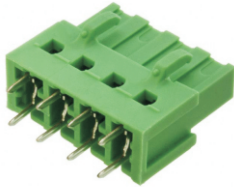
**Material**  
 Housing:PA66, UL94V-0  
 Pin header:Phosphor bronze,Tin plated  
 Nut:M2.5,Brass  
**Electrical**  
 Rated voltage:300V  
 Rated current:15A  
 Contact Resistance:20 m  $\Omega$   
 Insulation resistance:500M $\Omega$ /DC500V  
 Withstand voltage:AC2000V / 1 min  
**Mechanical**  
 Temp. Range:-40 ° C ~ + 105 ° C



# Pluggable Terminal Blocks

**CB RoHS ISO9001:2015**

## TERM BLOCK HDR VERT 5.08MM

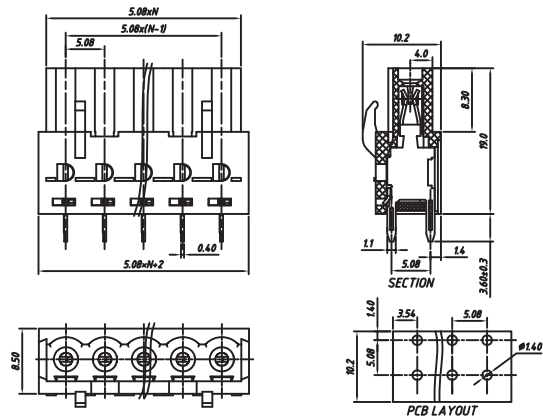


KLS2-EDKH-5.08

**Material**  
Housing:PA66, UL94V-0  
Pin header:Phosphor bronze, Tin plated

**Electrical**  
Rated voltage:300V  
Rated current:15A  
Contact Resistance:20 m Ω  
Insulation resistance:500MΩ/DC500V  
Withstand voltage:AC2000V / 1 min

**Mechanical**  
Temp. Range:-40 ° C ~ + 105 ° C  
Soldering:250 ° C 5Sec.Max.



## TERM BLOCK HDR VERT 5.08MM

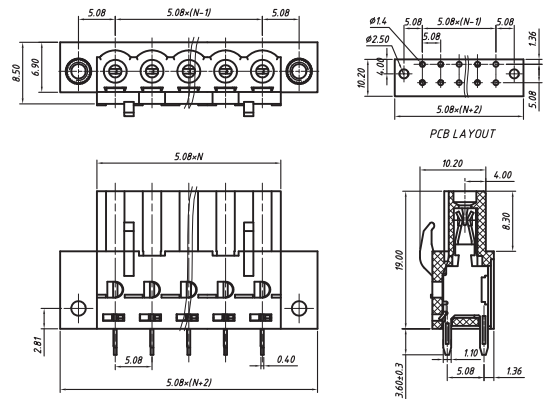


KLS2-EDKHM-5.08

**Material**  
Housing:PA66, UL94V-0  
Clamp:Phosphor bronze, Tin plated  
Nut:M2.5,Brass

**Electrical**  
Rated voltage:300V  
Rated current:15A  
Contact Resistance:20 m Ω  
Insulation resistance:500MΩ/DC500V  
Withstand voltage:AC2000V / 1 min

**Mechanical**  
Temp. Range:-40 ° C ~ + 105 ° C



## TERM BLOCK PLUG 5.00MM

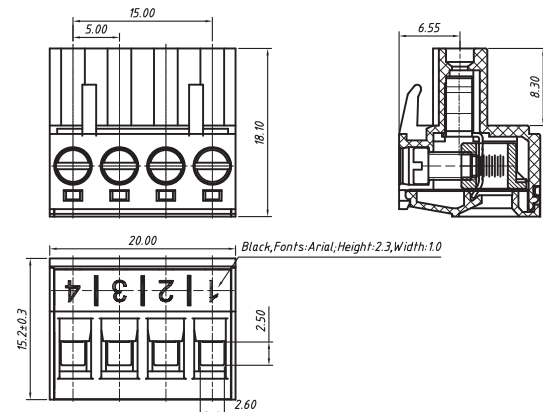


KLS2-EDDK-5.00

**Material**  
Housing:PA66, UL94V-0  
Cage:Brass, Ni plated  
Screws:M3.0, Steel, Zn plated  
Clamp:Phosphor bronze, Ni plated

**Electrical**  
Rated voltage:300V  
Rated current:15A  
Contact Resistance:20 m Ω  
Insulation resistance:500MΩ/DC500V  
Withstand voltage:AC2000V / 1 min

**Mechanical**  
Temp. Range:-40 ° C ~ + 105 ° C  
Strip length: 7~8mm  
Torque:0.5Nm(4.5Lbin)



## TERM BLOCK HDR LEFT 90 DEG 5.00MM

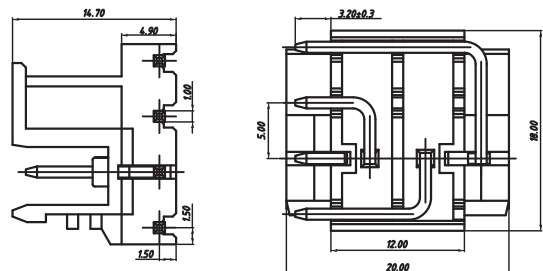


KLS2-EDLF-5.00

**Material**  
Housing:PA66, UL94V-0  
Pin header:Brass, Tin plated

**Electrical**  
Rated voltage:300V  
Rated current:18A  
Contact Resistance:20 m Ω  
Insulation resistance:500MΩ/DC500V  
Withstand voltage:AC2000V / 1 min

**Mechanical**  
Temp. Range:-40 ° C ~ + 105 ° C



**TERM BLOCK HDR Right 90 DEG 5.00MM**

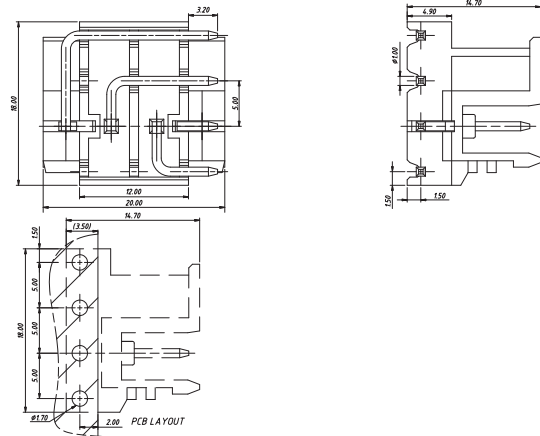


**KLS2-EDRF-5.00**

**Material**  
Housing:PA66, UL94V-0  
Pin header:Brass, Tin plated

**Electrical**  
Rated voltage:300V  
Rated current:18A  
Contact Resistance:20 m Ω  
Insulation resistance:500MΩ/DC500V  
Withstand voltage:AC2000V / 1 min

**Mechanical**  
Temp. Range:-40 ° C ~ + 105 ° C



**TERM BLOCK HDR VERT 5.00/5.08MM**

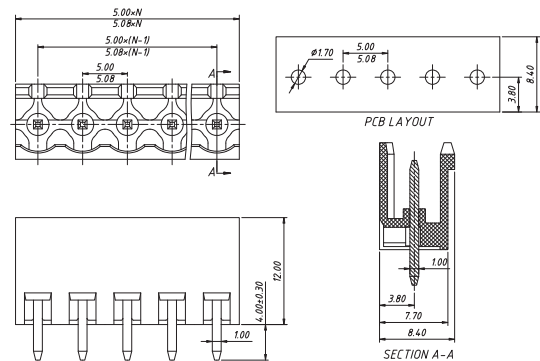


**KLS2-EDV-5.00/5.08**

**Material**  
Housing:PA66, UL94V-0  
Pin header:Brass, Tin plated

**Electrical**  
Rated voltage:300V  
Rated current:15A  
Contact Resistance:20 m Ω  
Insulation resistance:500MΩ/DC500V  
Withstand voltage:AC2000V / 1 min

**Mechanical**  
Temp. Range:-40 ° C ~ + 105 ° C  
Soldering:250 ° C 5Sec.Max.



**TERM BLOCK HDR VERT 5.00/5.08MM**

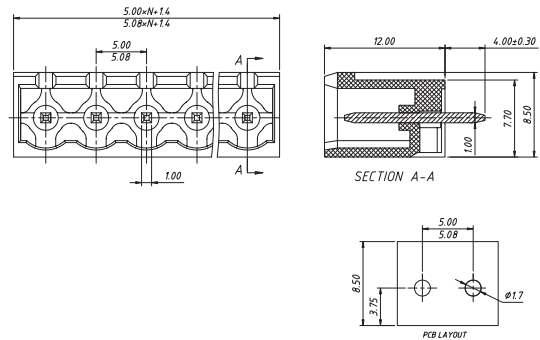


**KLS2-EDVC-5.00/5.08**

**Material**  
Housing:PA66, UL94V-0  
Pin header:Brass, Tin plated

**Electrical**  
Rated voltage:300V  
Rated current:15A  
Contact Resistance:20 m Ω  
Insulation resistance:500MΩ/DC500V  
Withstand voltage:AC2000V / 1 min

**Mechanical**  
Temp. Range:-40 ° C ~ + 105 ° C



**TERM BLOCK HDR 90 DEG 5.00/5.08MM**

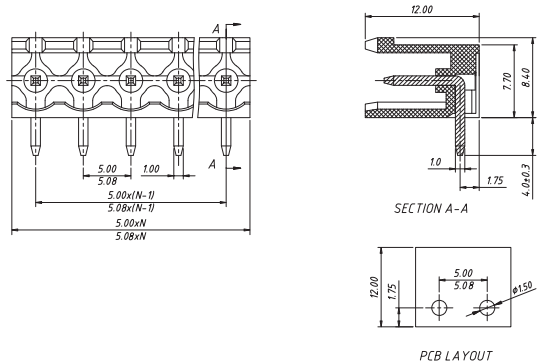


**KLS2-EDR-5.00/5.08**

**Material**  
Housing:PA66, UL94V-0  
Pin header:Brass, Tin plated

**Electrical**  
Rated voltage:300V  
Rated current:15A  
Contact Resistance:20 m Ω  
Insulation resistance:500MΩ/DC500V  
Withstand voltage:AC2000V / 1 min

**Mechanical**  
Temp. Range:-40 ° C ~ + 105 ° C  
Soldering:250 ° C 5Sec.Max.





# Pluggable Terminal Blocks

**CB RoHS ISO9001:2015**

## TERM BLOCK HDR 90 DEG 5.00/5.08MM

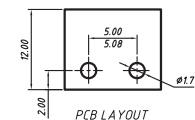
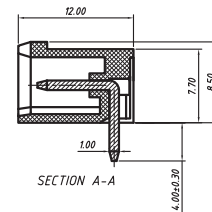
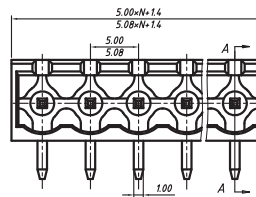


**Material**  
 Housing:PA66, UL94V-0  
 Pin header:Brass, Tin plated

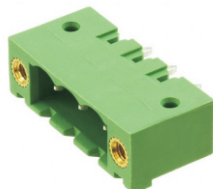
**Electrical**  
 Rated voltage:300V  
 Rated current:15A  
 Contact Resistance:20 m Ω  
 Insulation resistance:500MΩ/DC500V  
 Withstand voltage:AC2000V / 1 min

**Mechanical**  
 Temp. Range:-40 ° C ~ + 105 ° C

**KLS2-EDRC-5.00/5.08**



## TERM BLOCK HDR VERT 5.00/5.08MM

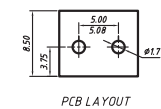
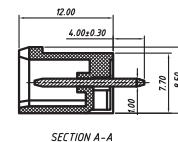
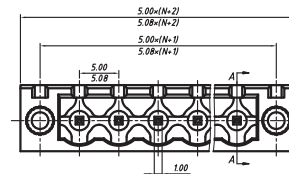


**Material**  
 Housing:PA66, UL94V-0  
 Pin header:Brass, Tin plated  
 Nut:M2.5,Brass

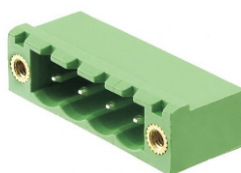
**Electrical**  
 Rated voltage:300V  
 Rated current:15A  
 Contact Resistance:20 m Ω  
 Insulation resistance:500MΩ/DC500V  
 Withstand voltage:AC2000V / 1 min

**Mechanical**  
 Temp. Range:-40 ° C ~ + 105 ° C

**KLS2-EDVY-5.00/5.08**



## TERM BLOCK HDR 90 DEG 5.00/5.08MM

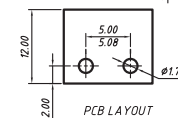
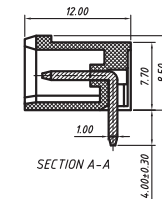
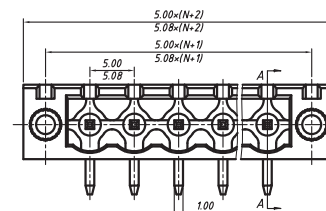


**Material**  
 Housing:PA66, UL94V-0  
 Pin header:Brass, Tin plated  
 Nut:M2.5,Brass

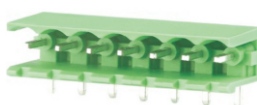
**Electrical**  
 Rated voltage:300V  
 Rated current:15A  
 Contact Resistance:20 m Ω  
 Insulation resistance:500MΩ/DC500V  
 Withstand voltage:AC2000V / 1 min

**Mechanical**  
 Temp. Range:-40 ° C ~ + 105 ° C

**KLS2-EDRY-5.00/5.08**



## TERM BLOCK HDR 90 DEG 5.00/5.08MM

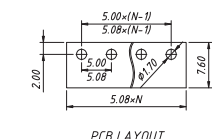
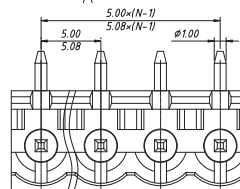
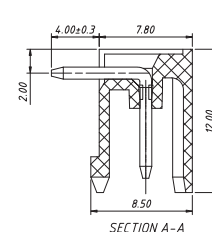
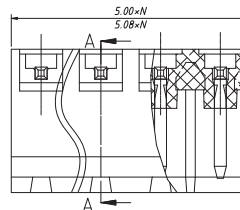


**Material**  
 Housing:PA66, UL94V-0  
 Pin header:Brass, Tin plated

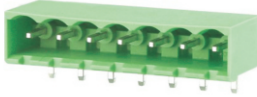
**Electrical**  
 Rated voltage:300V  
 Rated current:15A  
 Contact Resistance:20 m Ω  
 Insulation resistance:500MΩ/DC500V  
 Withstand voltage:AC2000V / 1 min

**Mechanical**  
 Temp. Range:-40 ° C ~ + 105 ° C

**KLS2-EDRR-5.00/5.08**



## TERM BLOCK HDR 90 DEG 5.00/5.08MM

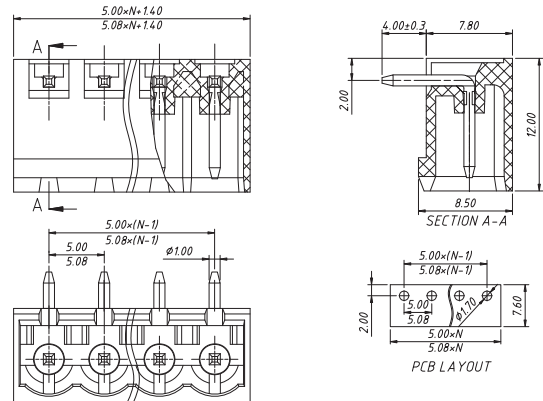


KLS2-EDRRC-5.00/5.08

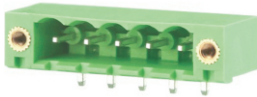
**Material**  
Housing:PA66, UL94V-0  
Pin header:Brass, Tin plated

**Electrical**  
Rated voltage:300V  
Rated current:15A  
Contact Resistance:20 m Ω  
Insulation resistance:500MΩ/DC500V  
Withstand voltage:AC2000V / 1 min

**Mechanical**  
Temp. Range:-40 ° C ~ + 105 ° C



## TERM BLOCK HDR 90 DEG 5.00/5.08MM

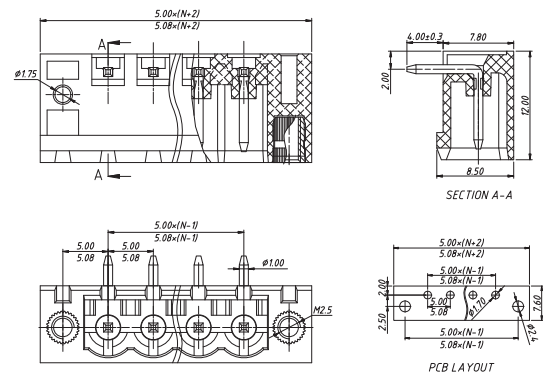


KLS2-EDRRY-5.00/5.08

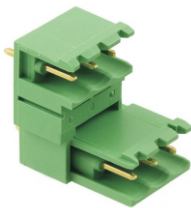
**Material**  
Housing:PA66, UL94V-0  
Pin header:Brass, Tin plated

**Electrical**  
Rated voltage:300V  
Rated current:15A  
Contact Resistance:20 m Ω  
Insulation resistance:500MΩ/DC500V  
Withstand voltage:AC2000V / 1 min

**Mechanical**  
Temp. Range:-40 ° C ~ + 105 ° C



## TERM BLOCK HDR 90 DEG 5.00/5.08MM

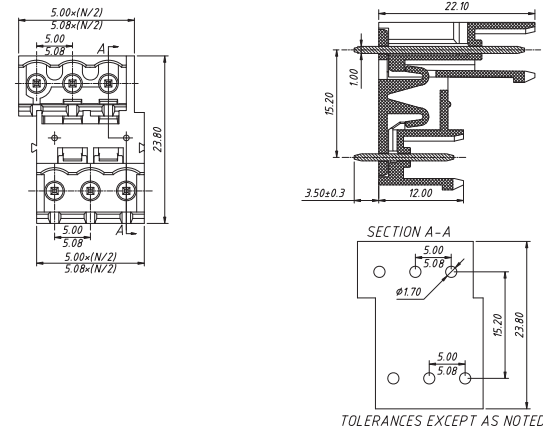


KLS2-EDCV-5.00/5.08

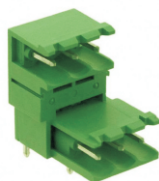
**Material**  
Housing:PA66, UL94V-0  
Pin header:Brass, Tin plated

**Electrical**  
Rated voltage:300V  
Rated current:15A  
Contact Resistance:20 m Ω  
Insulation resistance:500MΩ/DC500V  
Withstand voltage:AC2000V / 1 min

**Mechanical**  
Temp. Range:-40 ° C ~ + 105 ° C



## TERM BLOCK HDR 90 DEG 5.00/5.08MM

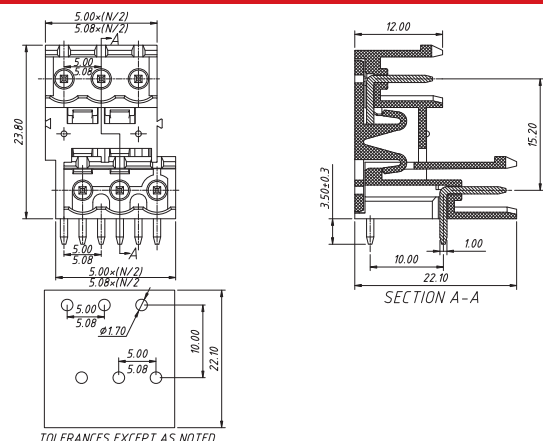


KLS2-EDCR-5.00/5.08

**Material**  
Housing:PA66, UL94V-0  
Pin header:Brass, Tin plated

**Electrical**  
Rated voltage:300V  
Rated current:15A  
Contact Resistance:20 m Ω  
Insulation resistance:500MΩ/DC500V  
Withstand voltage:AC2000V / 1 min

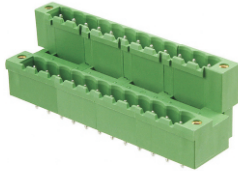
**Mechanical**  
Temp. Range:-40 ° C ~ + 105 ° C



# Pluggable Terminal Blocks

**CB RoHS ISO9001:2015**

## TERM BLOCK HDR VERT 5.08MM

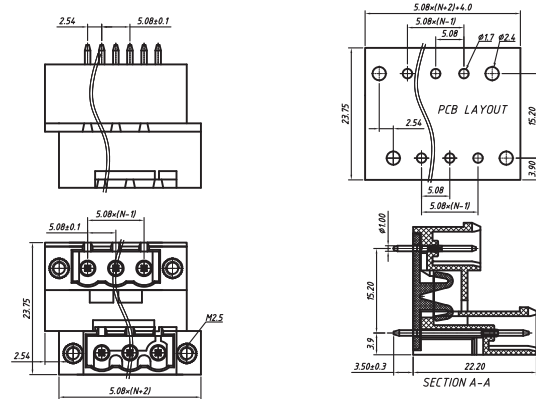


**KLS2-EDCVM-5.08**

**Material**  
 Housing:PA66, UL94V-0  
 Pin header:Brass, Tin plated  
 Nut:M2.5,Brass

**Electrical**  
 Rated voltage:300V  
 Rated current:15A  
 Contact Resistance:20 m Ω  
 Insulation resistance:500MΩ/DC500V  
 Withstand voltage:AC2000V / 1 min

**Mechanical**  
 Temp. Range:-40 ° C ~ + 105 ° C



## TERM BLOCK HDR 90 DEG 5.08MM

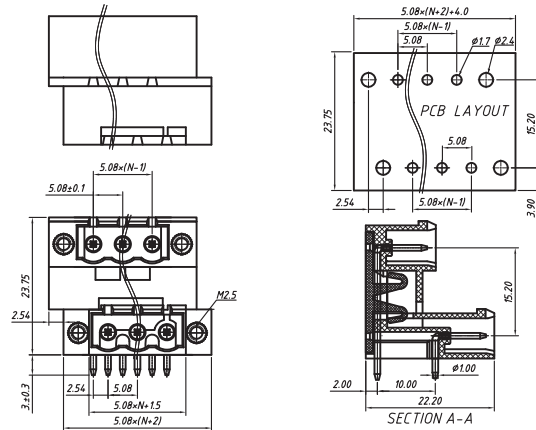


**KLS2-EDCRM-5.08**

**Material**  
 Housing:PA66, UL94V-0  
 Pin header:Brass, Tin plated  
 Nut:M2.5,Brass

**Electrical**  
 Rated voltage:300V  
 Rated current:15A  
 Contact Resistance:20 m Ω  
 Insulation resistance:500MΩ/DC500V  
 Withstand voltage:AC2000V / 1 min

**Mechanical**  
 Temp. Range:-40 ° C ~ + 105 ° C



## TERM BLOCK HDR VERT 5.00/5.08MM

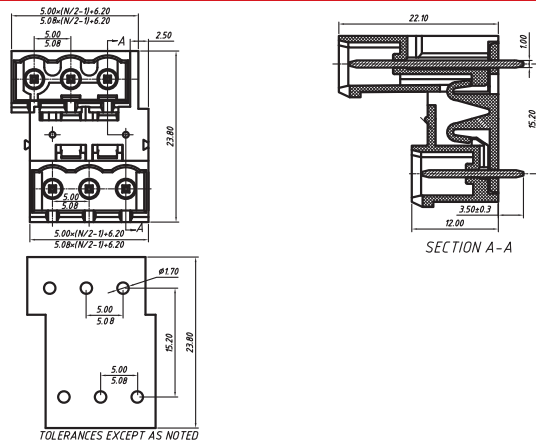


**KLS2-EDCVC-5.00/5.08**

**Material**  
 Housing:PA66, UL94V-0  
 Pin header:Brass, Tin plated

**Electrical**  
 Rated voltage:300V  
 Rated current:15A  
 Contact Resistance:20 m Ω  
 Insulation resistance:500MΩ/DC500V  
 Withstand voltage:AC2000V / 1 min

**Mechanical**  
 Temp. Range:-40 ° C ~ + 105 ° C



## TERM BLOCK HDR 90 DEG 5.00/5.08MM

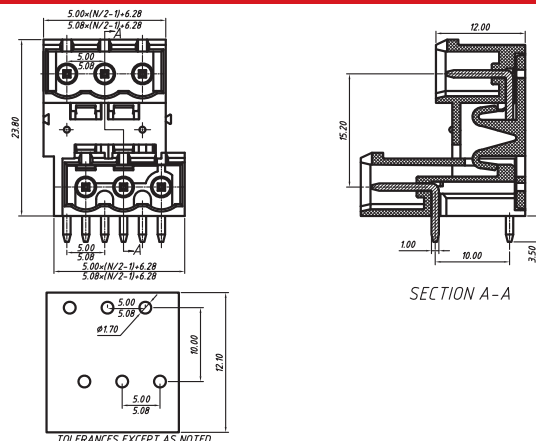


**KLS2-EDCRC-5.00/5.08**

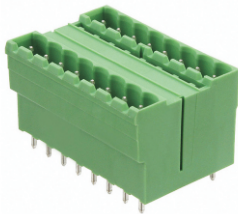
**Material**  
 Housing:PA66, UL94V-0  
 Pin header:Brass, Tin plated

**Electrical**  
 Rated voltage:300V  
 Rated current:15A  
 Contact Resistance:20 m Ω  
 Insulation resistance:500MΩ/DC500V  
 Withstand voltage:AC2000V / 1 min

**Mechanical**  
 Temp. Range:-40 ° C ~ + 105 ° C



## TERM BLOCK HDR VERT 5.00/5.08MM

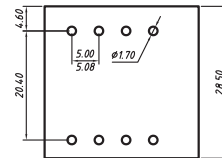
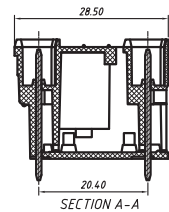
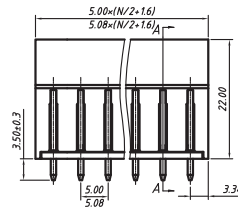


KLS2-EDDV-5.00/5.08

**Material**  
 Housing:PA66, UL94V-0  
 Pin header:Brass, Tin plated

**Electrical**  
 Rated voltage:300V  
 Rated current:15A  
 Contact Resistance:20 m Ω  
 Insulation resistance:500MΩ/DC500V  
 Withstand voltage:AC2000V / 1 min

**Mechanical**  
 Temp. Range:-40 ° C ~ + 105 ° C



TOLERANCES EXCEPT AS NOTED

## TERM BLOCK HDR VERT 5.00/5.08MM

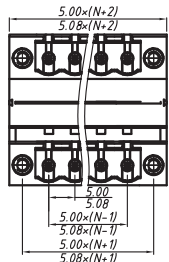
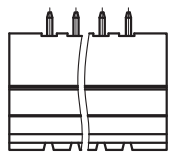
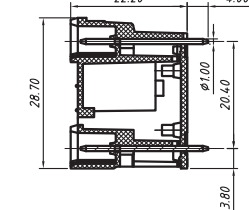
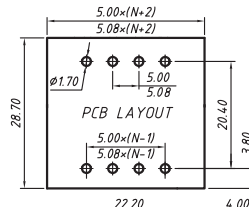


KLS2-EDDLV-5.00/5.08

**Material**  
 Housing:PA66, UL94V-0  
 Pin header:Brass, Tin plated  
 Nut:M2.5,Brass

**Electrical**  
 Rated voltage:300V  
 Rated current:15A  
 Contact Resistance:20 m Ω  
 Insulation resistance:500MΩ/DC500V  
 Withstand voltage:AC2000V / 1 min

**Mechanical**  
 Temp. Range:-40 ° C ~ + 105 ° C



## TERM BLOCK HDR 90 DEG 5.00/5.08MM

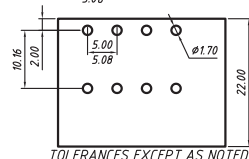
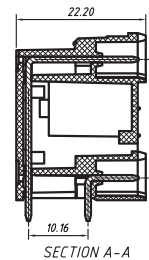
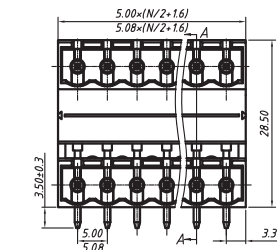


KLS2-EDDR-5.00/5.08

**Material**  
 Housing:PA66, UL94V-0  
 Pin header:Brass, Tin plated

**Electrical**  
 Rated voltage:300V  
 Rated current:15A  
 Contact Resistance:20 m Ω  
 Insulation resistance:500MΩ/DC500V  
 Withstand voltage:AC2000V / 1 min

**Mechanical**  
 Temp. Range:-40 ° C ~ + 105 ° C



TOLERANCES EXCEPT AS NOTED

## TERM BLOCK HDR 90 DEG 5.00/5.08MM

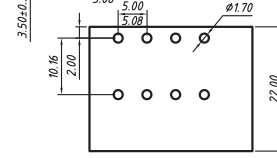
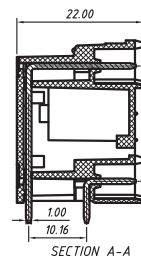
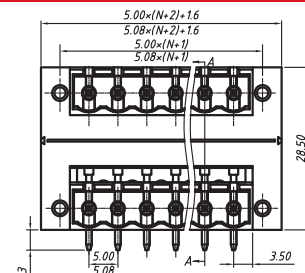


KLS2-EDDLR-5.00/5.08

**Material**  
 Housing:PA66, UL94V-0  
 Pin header:Brass, Tin plated  
 Nut:M2.5,Brass

**Electrical**  
 Rated voltage:300V  
 Rated current:15A  
 Contact Resistance:20 m Ω  
 Insulation resistance:500MΩ/DC500V  
 Withstand voltage:AC2000V / 1 min

**Mechanical**  
 Temp. Range:-40 ° C ~ + 105 ° C



TOLERANCES EXCEPT AS NOTED



# Pluggable Terminal Blocks

**CB RoHS ISO9001:2015**

## TERM BLOCK HDR 45 DEG 5.00/5.08MM

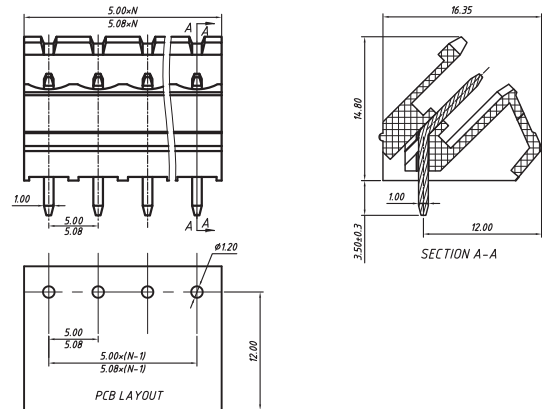


**KLS2-EDY-5.00/5.08**

**Material**  
Housing: PA66, UL94V-0  
Pin header: Brass, Tin plated

**Electrical**  
Rated voltage: 300V  
Rated current: 15A  
Contact Resistance: 20 mΩ  
Insulation resistance: 500MΩ/DC500V  
Withstand voltage: AC2000V / 1 min

**Mechanical**  
Temp. Range: -40 °C ~ + 105 °C



## TERM BLOCK HDR 45 DEG 5.00/5.08MM

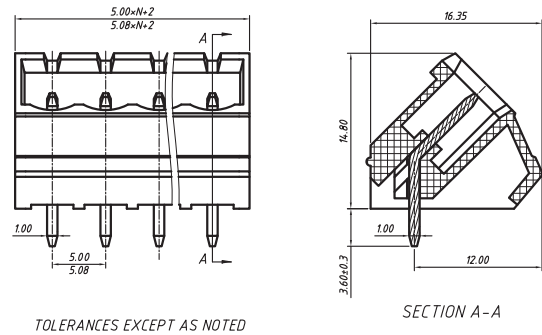


**KLS2-EDCY-5.00/5.08**

**Material**  
Housing: PA66, UL94V-0  
Pin header: Brass, Tin plated  
Nut: M2.5, Brass

**Electrical**  
Rated voltage: 300V  
Rated current: 15A  
Contact Resistance: 20 mΩ  
Insulation resistance: 500MΩ/DC500V  
Withstand voltage: AC2000V / 1 min

**Mechanical**  
Temp. Range: -40 °C ~ + 105 °C



## TERM BLOCK HDR 45 DEG 5.00/5.08MM

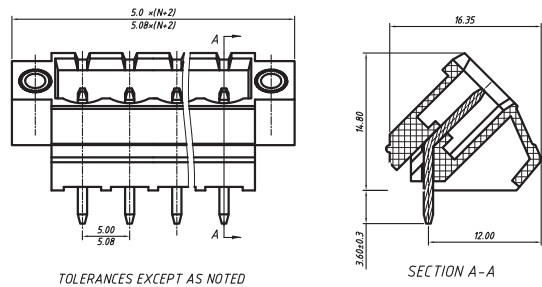


**KLS2-EDLY-5.00/5.08**

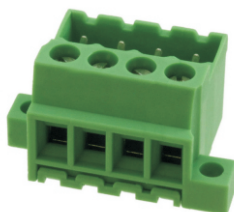
**Material**  
Housing: PA66, UL94V-0  
Pin header: Brass, Tin plated

**Electrical**  
Rated voltage: 300V  
Rated current: 15A  
Contact Resistance: 20 mΩ  
Insulation resistance: 500MΩ/DC500V  
Withstand voltage: AC2000V / 1 min

**Mechanical**  
Temp. Range: -40 °C ~ + 105 °C



## TERM BLOCK RCPT 5.08MM DIN Rail

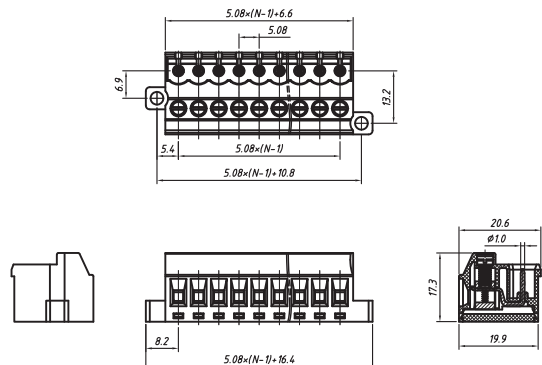


**KLS2-UHK-5.08**

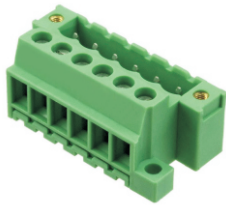
**Material**  
Housing: PA66, UL94V-0  
Screws: M3 Steel, Zn plated  
Pin header: Brass, Tin plated  
Cage: Brass, Tin plated

**Electrical**  
Rated voltage: 300V  
Rated current: 15A  
Contact Resistance: 20 mΩ  
Insulation resistance: 500MΩ/DC500V  
Wire range: 28-14 AWG 2.5mm<sup>2</sup>  
Withstand voltage: AC2000V / 1 min

**Mechanical**  
Torque: 0.5Nm (4.5Lb.in)  
Steip length: 7-8mm  
Temp. Range: -40 °C ~ + 105 °C



## TERM BLOCK RCPT 5.08MM DIN Rail



KLS2-UHKM-5.08

### Material

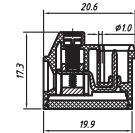
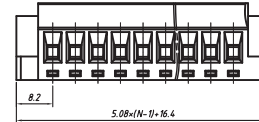
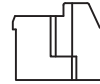
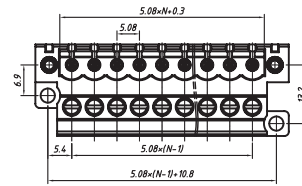
Housing:PA66, UL94V-0  
Screws:M3 Steel,Zn plated  
Pin header:Brass,Ni plated  
Cage:Brass,Ni plated  
Nut:M2.5,Brass

### Electrical

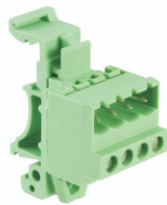
Rated voltage:300V  
Rated current:15A  
Contact Resistance:20 m Ω  
Insulation resistance:500MΩ/DC500V  
Wire range:28-14 AWG 2.5mm<sup>2</sup>  
Withstand voltage:AC2000V / 1 min

### Mechanical

Torque:0.5Nm(4.5Lb.in)  
Steip length:7-8mm  
Temp. Range:-40 ° C ~ + 105 ° C



## TERM BLOCK PLUG 5.08mm DIN Rail



KLS2-UNK-5.08

### Material

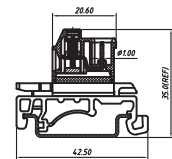
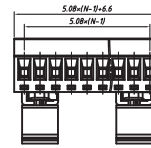
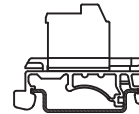
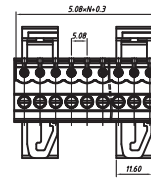
Housing:PA66, UL94V-0  
Screws:M3 Steel,Zn plated  
Pin header:Brass,Ni plated  
Cage:Brass,Ni plated

### Electrical

Rated voltage:300V  
Rated current:15A  
Contact Resistance:20 m Ω  
Insulation resistance:500MΩ/DC500V  
Wire range:28-14 AWG 2.5mm<sup>2</sup>  
Withstand voltage:AC2000V / 1 min

### Mechanical

Torque:0.5Nm(4.5Lb.in)  
Steip length:7-8mm  
Temp. Range:-40 ° C ~ + 105 ° C



## TERM BLOCK PLUG 5.08mm DIN Rail



KLS2-UNKM-5.08

### Material

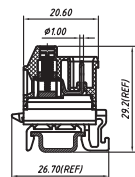
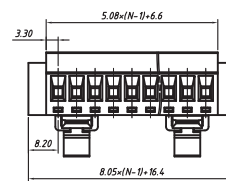
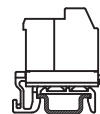
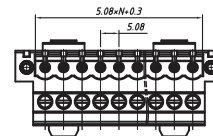
Housing:PA66, UL94V-0  
Screws:M3 Steel,Zn plated  
Pin header:Brass,Ni plated  
Cage:Brass,Ni plated  
Nut:M2.5,Brass

### Electrical

Rated voltage:300V  
Rated current:15A  
Contact Resistance:20 m Ω  
Insulation resistance:500MΩ/DC500V  
Wire range:28-14 AWG 2.5mm<sup>2</sup>  
Withstand voltage:AC2000V / 1 min

### Mechanical

Torque:0.5Nm(4.5Lb.in)  
Steip length:7-8mm  
Temp. Range:-40 ° C ~ + 105 ° C



## TERM BLOCK PLUG 5.08mm DIN Rail



KLS2-UVK-5.08

### Material

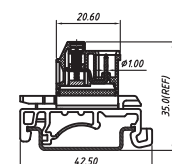
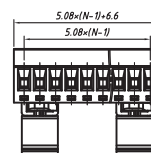
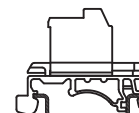
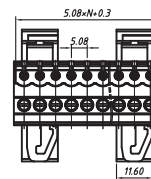
Housing:PA66, UL94V-0  
Screws:M3 Steel,Zn plated  
Pin header:Brass,Ni plated  
Cage:Brass,Ni plated

### Electrical

Rated voltage:300V  
Rated current:15A  
Contact Resistance:20 m Ω  
Insulation resistance:500MΩ/DC500V  
Wire range:28-14 AWG 2.5mm<sup>2</sup>  
Withstand voltage:AC2000V / 1 min

### Mechanical

Torque:0.5Nm(4.5Lb.in)  
Steip length:7-8mm  
Temp. Range:-40 ° C ~ + 105 ° C



# Pluggable Terminal Blocks

**CB RoHS ISO9001:2015**

## TERM BLOCK PLUG 5.08mm DIN Rail



**KLS2-UVKM-5.08**

**Material**

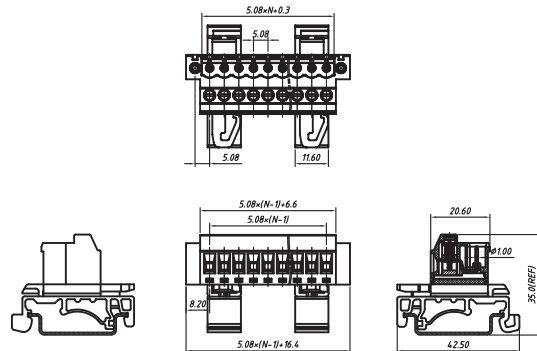
Housing:PA66, UL94V-0  
Screws:M3 Steel, Zn plated  
Pin header:Brass, Ni plated  
Cage:Brass, Ni plated  
Nut:Brass

**Electrical**

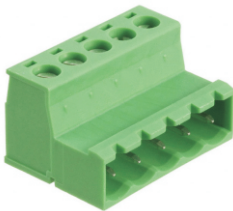
Rated voltage:300V  
Rated current:15A  
Contact Resistance:20 m Ω  
Insulation resistance:500MΩ/DC500V  
Wire range:28-14 AWG 2.5mm<sup>2</sup>  
Withstand voltage:AC2000V / 1 min

**Mechanical**

Torque:0.5Nm(4.5Lb.in)  
Steip length:7-8mm  
Temp. Range:-40 ° C ~ + 105 ° C



## TERM BLOCK PLUG STR 5.00/5.08MM



**KLS2-DGKR-5.00/5.08**

**Material**

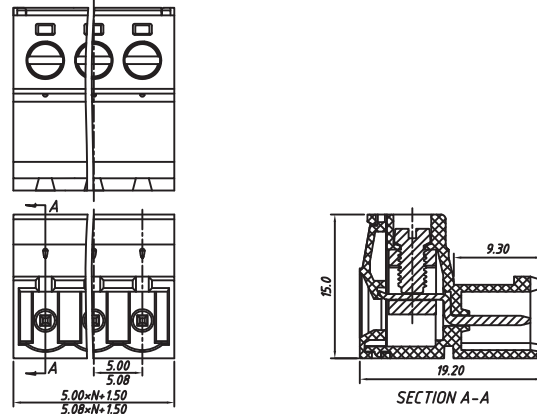
Housing:PA66, UL94V-0  
Screws:M3 Steel, Zn plated  
Pin header:Brass, Tin plated  
Cage:Brass, Nickel plated

**Electrical**

Rated voltage:300V  
Rated current:18A  
Contact Resistance:20 m Ω  
Insulation resistance:500MΩ/DC500V  
Wire range:28-14 AWG 2.5mm<sup>2</sup>  
Withstand voltage:AC2000V / 1 min

**Mechanical**

Torque:0.5Nm(4.5Lb.in)  
Steip length:7-8mm  
Temp. Range:-40 ° C ~ + 105 ° C



## TERM BLOCK PLUG STR 5.00/5.08MM



**KLS2-DGNKR-5.00/5.08**

**Material**

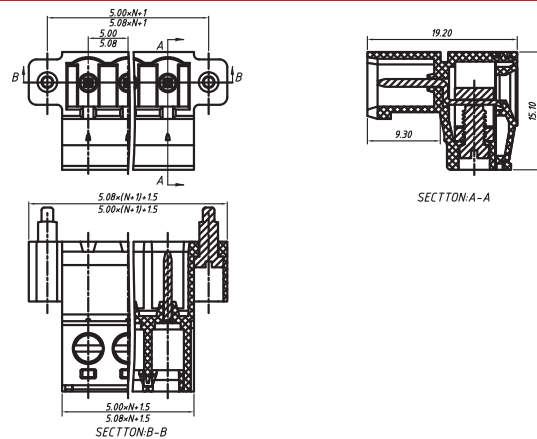
Housing:PA66, UL94V-0  
Screws:M3 Steel, Zn plated  
Pin header:Brass, Tin plated  
Cage:Brass, Ni plated

**Electrical**

Rated voltage:300V  
Rated current:15A  
Contact Resistance:20 m Ω  
Insulation resistance:500MΩ/DC500V  
Wire range:28-14 AWG 2.5mm<sup>2</sup>  
Withstand voltage:AC2000V / 1 min

**Mechanical**

Torque:0.5Nm(4.5Lb.in)  
Steip length:7-8mm  
Temp. Range:-40 ° C ~ + 105 ° C



## TERM BLOCK PLUG STR 5.00/5.08MM



**KLS2-DGKM-5.00/5.08**

**Material**

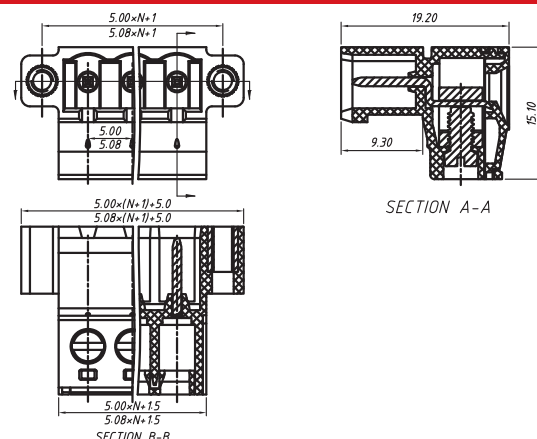
Housing:PA66, UL94V-0  
Screws:M3 Steel, Zn plated  
Pin header:Brass, Tin plated  
Wire guard:Brass, Ni plated

**Electrical**

Rated voltage:300V  
Rated current:15A  
Contact Resistance:20 m Ω  
Insulation resistance:500MΩ/DC500V  
Wire range:28-14 AWG 2.5mm<sup>2</sup>  
Withstand voltage:AC2000V / 1 min

**Mechanical**

Torque:0.4Nm(3.6Lb.in)  
Steip length:7mm  
Temp. Range:-40 ° C ~ + 105 ° C



## TERM BLOCK PLUG STR 5.08MM



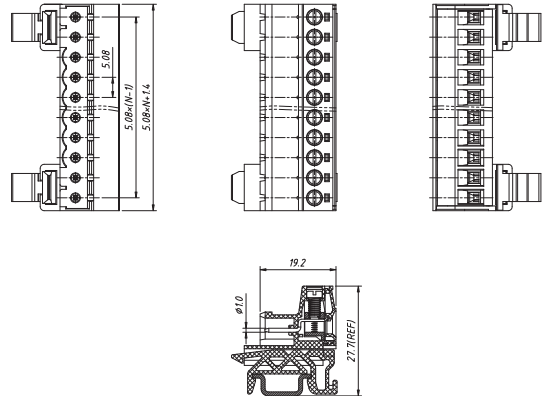
KLS2-DGXX-5.08

**Material**

Housing:PA66, UL94V-0  
Screws:M3 Steel,Zn plated  
Pin header:Brass,Tin plated  
Clamp:Brass,Ni plated  
**Electrical**  
Rated voltage:300V  
Rated current:15A  
Contact Resistance:20 m Ω  
Insulation resistance:500MΩ/DC500V  
Wire range:28-14 AWG 2.5mm<sup>2</sup>  
Withstand voltage:AC2000V / 1 min

**Mechanical**

Torque:0.5Nm(4.5Lb.in)  
Steip length:7-8mm  
Temp. Range:-40 ° C ~ + 105 ° C



## TERM BLOCK PLUG STR 5.08MM



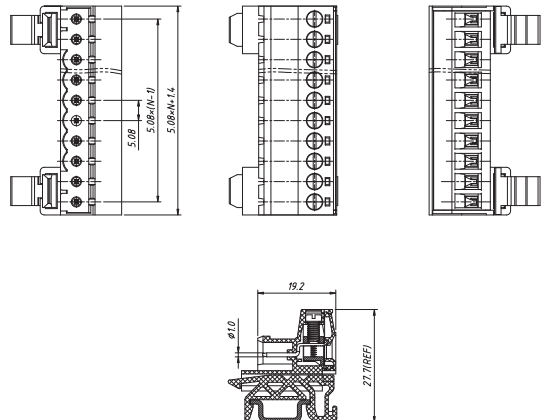
KLS2-DGXXKM-5.08

**Material**

Housing:PA66, UL94V-0  
Screws:M3 Steel,Zn plated  
Pin header:Brass,Tin plated  
Cage:Brass,Ni plated  
**Electrical**  
Rated voltage:300V  
Rated current:15A  
Contact Resistance:20 m Ω  
Insulation resistance:500MΩ/DC500V  
Wire range:28-14 AWG 2.5mm<sup>2</sup>  
Withstand voltage:AC2000V / 1 min

**Mechanical**

Torque:0.5Nm(4.5Lb.in)  
Steip length:7-8mm  
Temp. Range:-40 ° C ~ + 105 ° C



## TERM BLOCK PLUG STR 5.00&5.08mm



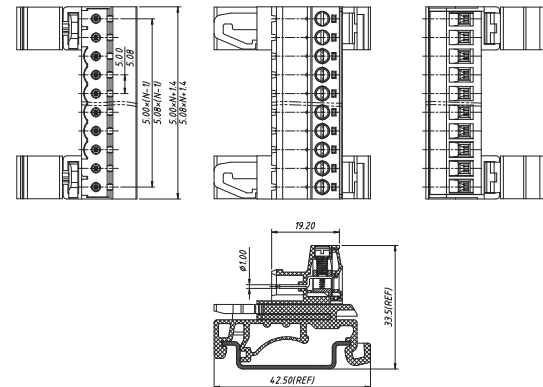
KLS2-DGNU-5.00/5.08

**Material**

Housing:PA66, UL94V-0  
Screws:M3 Steel,Zn plated  
Pin header:Brass,Tin plated  
Cage:Brass,Ni plated  
**Electrical**  
Rated voltage:300V  
Rated current:15A  
Contact Resistance:20 m Ω  
Insulation resistance:500MΩ/DC500V  
Wire range:28-14 AWG 2.5mm<sup>2</sup>  
Withstand voltage:AC2000V / 1 min

**Mechanical**

Torque:0.5Nm(4.5Lb.in)  
Steip length:7-8mm  
Temp. Range:-40 ° C ~ + 105 ° C



## TERM BLOCK PLUG STR 5.00&5.08mm



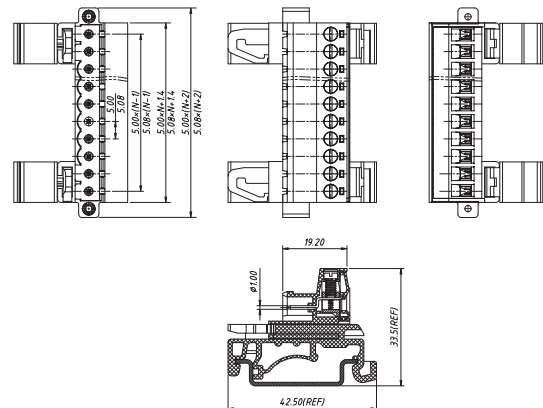
KLS2-DGNUM-5.00/5.08

**Material**

Housing:PA66, UL94V-0  
Screws:M3 Steel,Zn plated  
Pin header:Brass,Tin plated  
Cage:Brass,Tin plated  
Nut:N2.5,Brass  
**Electrical**  
Rated voltage:300V  
Rated current:15A  
Contact Resistance:20 m Ω  
Insulation resistance:500MΩ/DC500V  
Wire range:28-14 AWG 2.5mm<sup>2</sup>  
Withstand voltage:AC2000V / 1 min

**Mechanical**

Torque:0.5Nm(4.5Lb.in)  
Steip length:7-8mm  
Temp. Range:-40 ° C ~ + 105 ° C





# Pluggable Terminal Blocks

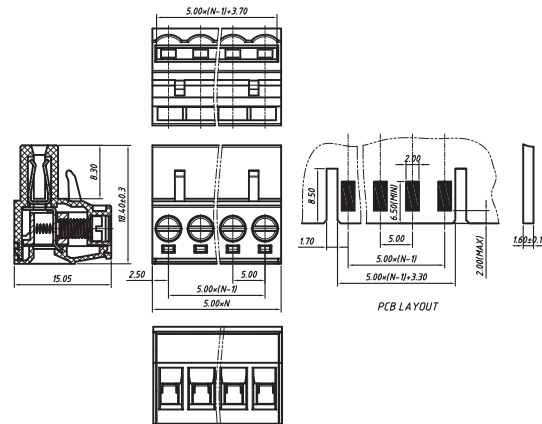
**CB RoHS ISO9001:2015**

## TERM BLOCK PLUG STR 5.00mm

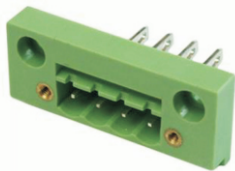


KLS2-EDKP-5.00

**Material**  
 Housing:PA66, UL94V-0  
 Screws:M3 Steel,Zn plated  
 Cage:Brass,Zn plated  
 Clamp:Phosphor bronze,Ni plated  
**Electrical**  
 Rated voltage:300V  
 Rated current:10A  
 Contact Resistance:20 m  $\Omega$   
 Insulation resistance:500M $\Omega$ /DC500V  
 Wire range:28-14 AWG 2.5mm<sup>2</sup>  
 Withstand voltage:AC2000V / 1 min  
**Mechanical**  
 Torque:0.5Nm(4.5Lb.in)  
 Steip length:7-8mm  
 Temp. Range:-40 °C ~ + 105 °C

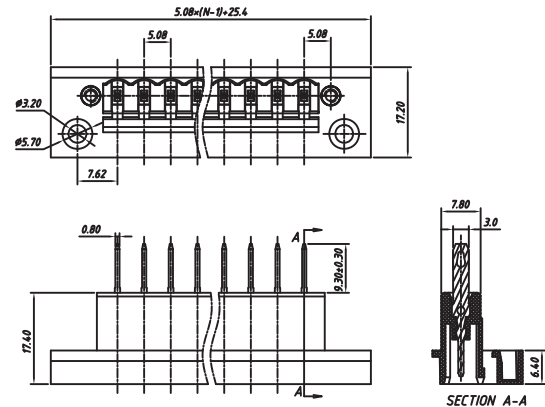


## TERM BLK HEADER 5.08mm GREEN,Panel Mount



KLS2-EDGM-5.08

**Material**  
 Housing:PA66, UL94V-0  
 Pin header:Brass,Tin plated  
 Nut:M2.5,Brass  
**Electrical**  
 Rated voltage:300V  
 Rated current:15A  
 Contact Resistance:20 m  $\Omega$   
 Insulation resistance:500M $\Omega$ /DC500V  
 Withstand voltage:AC2000V / 1 min  
**Mechanical**  
 Temp. Range:-40 °C ~ + 105 °C

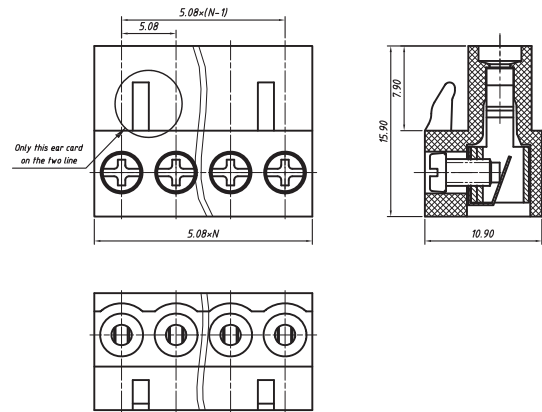


## TERM BLOCK PLUG 5.08mm

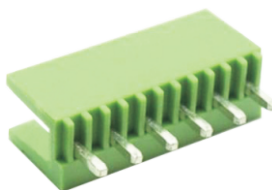


KLS2-EDKT-5.08

**Material**  
 Housing:PA66, UL94V-0  
 Screws:M2.5 Steel,Zn plated  
 Wire guard:Brass,Ni plated  
 Protector:Brass,Ni plated  
**Electrical**  
 Rated voltage:300V  
 Rated current:10A  
 Contact Resistance:20 m  $\Omega$   
 Insulation resistance:500M $\Omega$ /DC500V  
 Wire range:28-14 AWG 2.5mm<sup>2</sup>  
 Withstand voltage:AC2000V / 1 min  
**Mechanical**  
 Torque:0.4Nm(3.6Lb.in)  
 Steip length:6-7mm  
 Temp. Range:-40 °C ~ + 105 °C

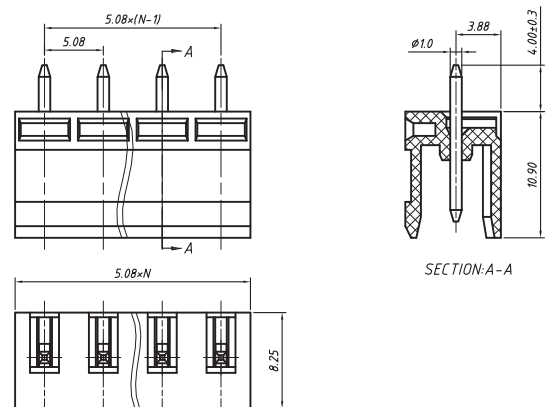


## TERM BLOCK HDR VERT 5.08mm



KLS2-EDVT-5.08

**Material**  
 Housing:PA66, UL94V-0  
 Pin header:Brass,Tin plated  
**Electrical**  
 Rated voltage:300V  
 Rated current:10A  
 Contact Resistance:20 m  $\Omega$   
 Insulation resistance:500M $\Omega$ /DC500V  
 Withstand voltage:AC2000V / 1 min  
 Wire range:22-14 AWG 2.5mm<sup>2</sup>  
**Mechanical**  
 Temp. Range:-40 °C ~ + 105 °C



## TERM BLOCK HDR 90 DEG 5.08mm

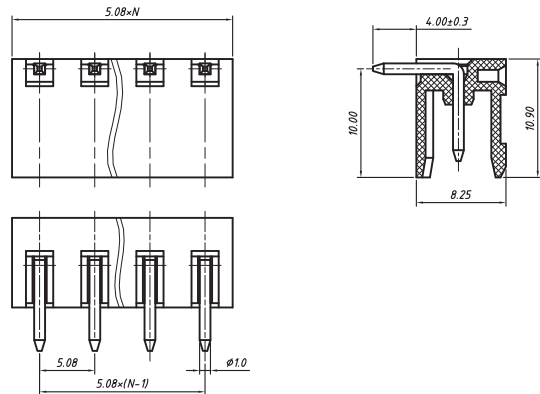


KLS2-EDRT-5.08

**Material**  
Housing:PA66, UL94V-0  
Pin header:Brass, Tin plated

**Electrical**  
Rated voltage:300V  
Rated current:10A  
Contact Resistance:20 m Ω  
Insulation resistance:500MΩ/DC500V  
Withstand voltage:AC2000V / 1 min  
Wire range:22-14 AWG 2.5mm<sup>2</sup>

**Mechanical**  
Temp. Range:-40 °C ~ + 105 °C



## TERM BLOCK PLUG STR 5.00&5.08mm

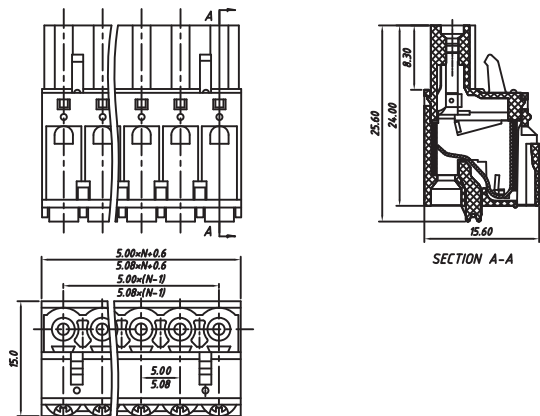


KLS2-EDKE-5.00/5.08

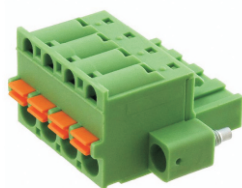
**Material**  
Housing:PA66, UL94V-0  
Shrapnel:Stainless steel  
Clamp:Phosphor bronze, Ni plated

**Electrical**  
Rated voltage:300V  
Rated current:10A  
Contact Resistance:20 m Ω  
Insulation resistance:500MΩ/DC500V  
Withstand voltage:AC2000V / 1 min  
Wire range:28-14 AWG 2.5mm<sup>2</sup>

**Mechanical**  
Temp. Range:-40 °C ~ + 105 °C  
Steip length:7-8mm



## TERM BLOCK PLUG STR 5.00&5.08mm

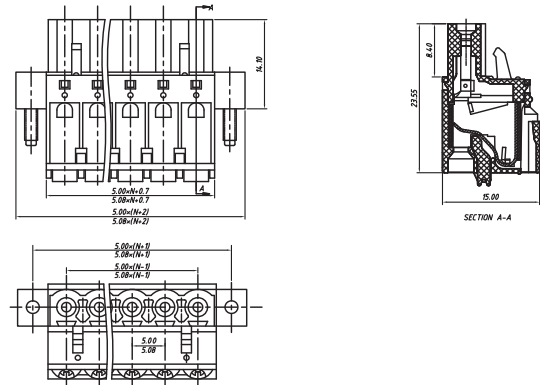


KLS2-EDKEM-5.00/5.08

**Material**  
Housing:PA66, UL94V-0  
Shrapnel:Stainless steel  
Clamp:Phosphor bronze, Ni plated

**Electrical**  
Rated voltage:300V  
Rated current:10A  
Contact Resistance:20 m Ω  
Insulation resistance:500MΩ/DC500V  
Withstand voltage:AC2000V / 1 min  
Wire range:28-14 AWG 2.5mm<sup>2</sup>

**Mechanical**  
Temp. Range:-40 °C ~ + 105 °C  
Steip length:7-8mm



## TERM BLOCK PLUG STR 7.50&7.62mm

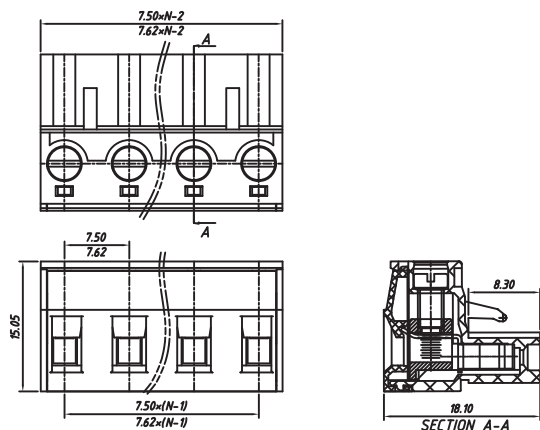


KLS2-EDK-7.50/7.62

**Material**  
Housing:PA66, UL94V-0  
Cage:Brass, Nickel plated  
Clamp:Phosphor bronze, Ni plated  
Screws:M3 Steel, Zn plated

**Electrical**  
Rated voltage:300V  
Rated current:15A  
Contact Resistance:20 m Ω  
Insulation resistance:500MΩ/DC500V  
Withstand voltage:AC2000V / 1 min  
Wire range:28-14 AWG 2.5mm<sup>2</sup>

**Mechanical**  
Temp. Range:-40 °C ~ + 105 °C  
Steip length:7-8mm  
Torque:5.1kgf-cm(4.43Lb.in)



# Pluggable Terminal Blocks





**CB RoHS ISO9001:2015**

## TERM BLOCK PLUG STR 7.50&7.62mm



KLS2-EDCKM-7.50/7.62

### Material

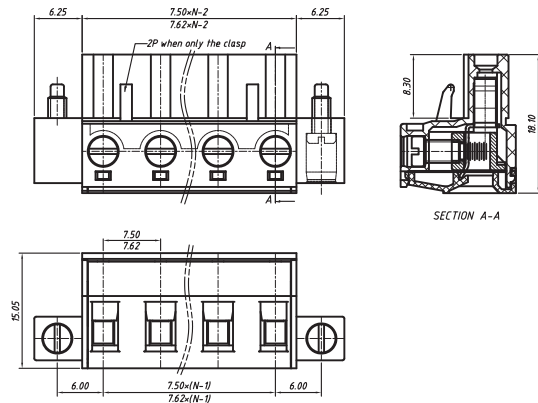
Housing: PA66, UL94V-0  
 Screws: M3 Steel, Zn plated  
 Cage: Brass, Ni plated  
 Fixing Screws: M2.5 Steel, Zn plated  
 Clamp: Phosphor bronze, Ni Plated

### Electrical

Rated voltage: 300V  
 Rated current: 15A  
 Contact Resistance: 20 mΩ  
 Insulation resistance: 500MΩ/DC500V  
 Withstand voltage: AC2000V / 1 min  
 Wire Range: 28~14AWG 1.5mm<sup>2</sup>

### Mechanical

Temp. Range: -40 °C ~ + 105 °C  
 Strip length: 7~8mm  
 Torque: 0.5Nm(4.5bin)



## TERM BLOCK PLUG STR 7.50&7.62mm



KLS2-EDKA-7.50/7.62

### Material

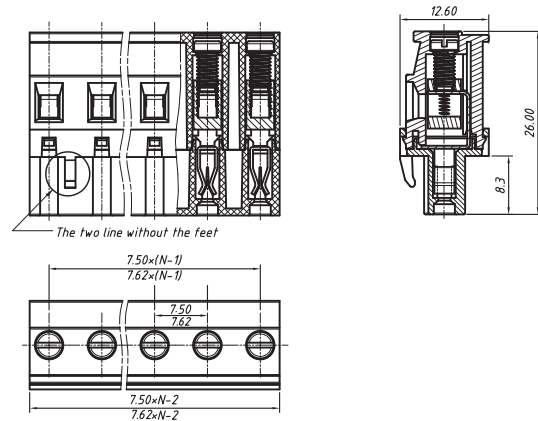
Housing: PA66, UL94V-0  
 Screws: M3 Steel, Zn plated  
 Cage: Brass, Ni plated  
 Clamp: Phosphor bronze, Ni Plated

### Electrical

Rated voltage: 300V  
 Rated current: 15A  
 Contact Resistance: 20 mΩ  
 Insulation resistance: 500MΩ/DC500V  
 Withstand voltage: AC2000V / 1 min  
 Wire Range: 28~14AWG 1.5mm<sup>2</sup>

### Mechanical

Temp. Range: -40 °C ~ + 105 °C  
 Strip length: 7~8mm  
 Torque: 0.5Nm(4.5bin)



## TERM BLOCK PLUG STR 7.50&7.62mm



KLS2-EDKAM-7.50/7.62

### Material

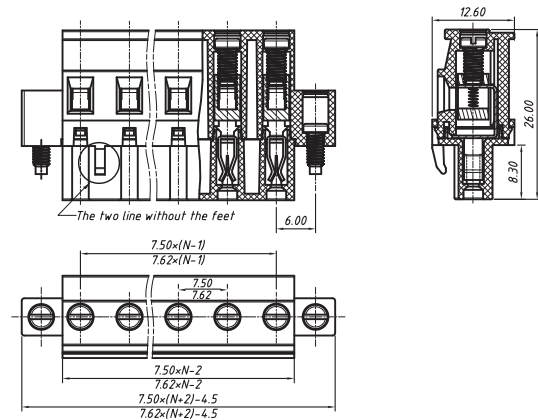
Housing: PA66, UL94V-0  
 Screws: M3 Steel, Zn plated  
 Cage: Brass, Ni plated  
 Fixing Screws: M2.5 Steel, Zn plated  
 Clamp: Phosphor bronze, Ni Plated

### Electrical

Rated voltage: 300V  
 Rated current: 15A  
 Contact Resistance: 20 mΩ  
 Insulation resistance: 500MΩ/DC500V  
 Withstand voltage: AC2000V / 1 min  
 Wire Range: 28~14AWG 1.5mm<sup>2</sup>

### Mechanical

Temp. Range: -40 °C ~ + 105 °C  
 Strip length: 7~8mm  
 Torque: 0.5Nm(4.5bin)



## TERM BLOCK PLUG STR 7.50&7.62mm



KLS2-EDKB-7.50/7.62

### Material

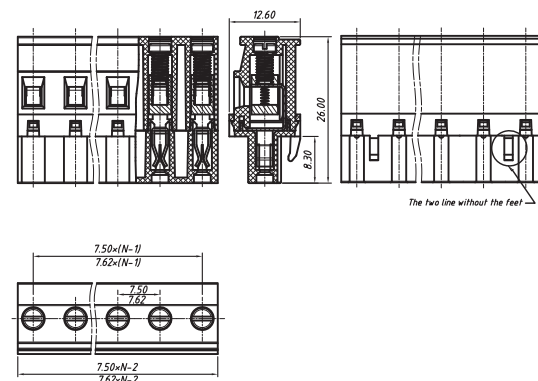
Housing: PA66, UL94V-0  
 Screws: M3 Steel, Zn plated  
 Cage: Brass, Ni plated  
 Clamp: Phosphor bronze, Ni Plated

### Electrical

Rated voltage: 300V  
 Rated current: 15A  
 Contact Resistance: 20 mΩ  
 Insulation resistance: 500MΩ/DC500V  
 Withstand voltage: AC2000V / 1 min  
 Wire Range: 28~14AWG 1.5mm<sup>2</sup>

### Mechanical

Temp. Range: -40 °C ~ + 105 °C  
 Strip length: 7~8mm  
 Torque: 0.5Nm(4.5bin)



## TERM BLOCK PLUG STR 7.50&7.62mm



KLS2-EDKBM-7.50/7.62

### Material

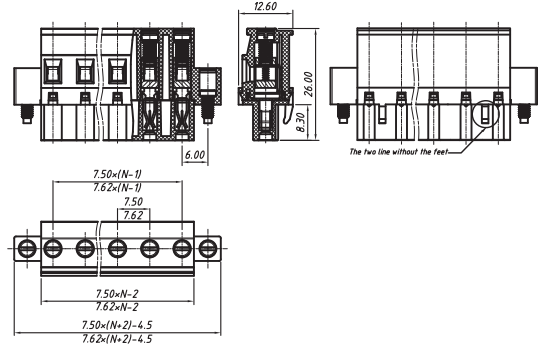
Housing: PA66, UL94V-0  
 Screws: M3 Steel, Zn plated  
 Cage: Brass, Ni plated  
 Fixing Screws: M2.5 Steel, Zn plated  
 Clamp: Phosphor bronze, Ni Plated

### Electrical

Rated voltage: 300V  
 Rated current: 15A  
 Contact Resistance: 20 mΩ  
 Insulation resistance: 500MΩ/DC500V  
 Withstand voltage: AC2000V / 1 min  
 Wire Range: 28~14AWG 1.5mm<sup>2</sup>

### Mechanical

Temp. Range: -40 °C ~ + 105 °C  
 Strip length: 7~8mm  
 Torque: 0.5Nm(4.5bin)



## TERM BLOCK HDR VERT 7.50&7.62mm



KLS2-EDV-7.50/7.62

### Material

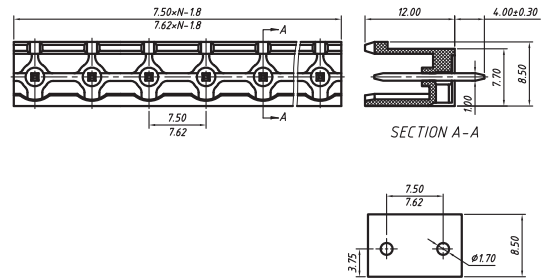
Housing: PA66, UL94V-0  
 Pin header: Brass, Tin plated  
 Nut: M2.5, Brass

### Electrical

Rated voltage: 300V  
 Rated current: 15A  
 Contact Resistance: 20 mΩ  
 Insulation resistance: 500MΩ/DC500V  
 Withstand voltage: AC2000V / 1 min

### Mechanical

Temp. Range: -40 °C ~ + 105 °C



## TERM BLOCK HDR 90 DEG 7.50&7.62mm



KLS2-EDVC-7.50/7.62

### Material

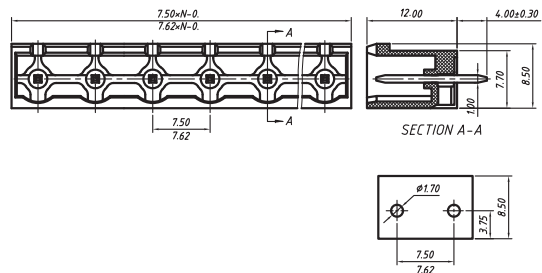
Housing: PA66, UL94V-0  
 Pin header: Brass, Tin plated  
 Nut: M2.5, Brass

### Electrical

Rated voltage: 300V  
 Rated current: 15A  
 Contact Resistance: 20 mΩ  
 Insulation resistance: 500MΩ/DC500V  
 Withstand voltage: AC2000V / 1 min

### Mechanical

Temp. Range: -40 °C ~ + 105 °C



## TERM BLOCK HDR VERT 7.50&7.62mm



KLS2-EDR-7.50/7.62

### Material

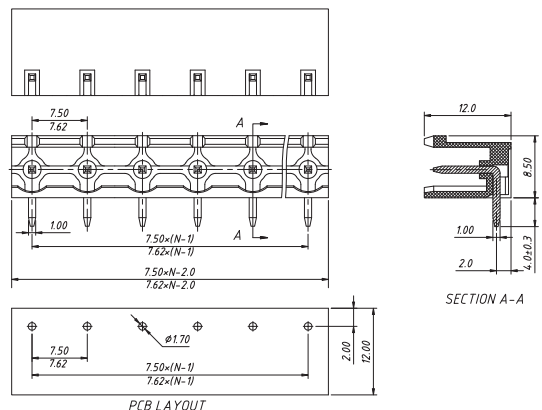
Housing: PA66, UL94V-0  
 Pin header: Brass, Tin plated

### Electrical

Rated voltage: 300V  
 Rated current: 15A  
 Contact Resistance: 20 mΩ  
 Insulation resistance: 500MΩ/DC500V  
 Withstand voltage: AC2000V / 1 min

### Mechanical

Temp. Range: -40 °C ~ + 105 °C

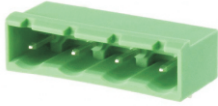




# Pluggable Terminal Blocks

**CB RoHS ISO9001:2015**

## TERM BLOCK HDR 90 DEG 7.50&7.62mm

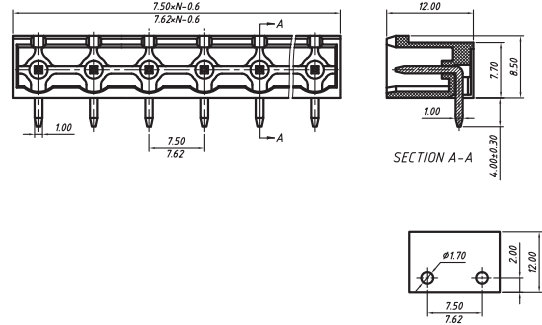


**KLS2-EDRC-7.50/7.62**

**Material**  
 Housing:PA66, UL94V-0  
 Pin header:Brass,Tin plated  
 Nut:M2.5,Brass

**Electrical**  
 Rated voltage:300V  
 Rated current:15A  
 Contact Resistance:20 m Ω  
 Insulation resistance:500MΩ/DC500V  
 Withstand voltage:AC2000V / 1 min

**Mechanical**  
 Temp. Range:-40 ° C ~ + 105 ° C



## TERM BLOCK HDR VERT 7.50&7.62mm

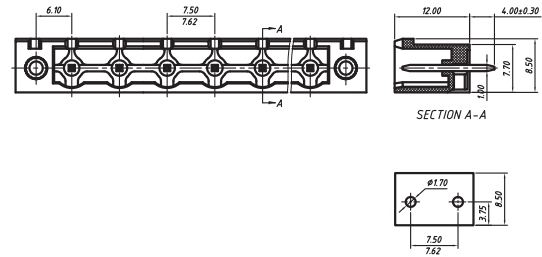


**KLS2-EDVY-7.50/7.62**

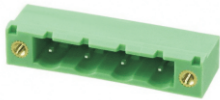
**Material**  
 Housing:PA66, UL94V-0  
 Pin header:Brass,Tin plated  
 Nut:M2.5,Brass

**Electrical**  
 Rated voltage:300V  
 Rated current:15A  
 Contact Resistance:20 m Ω  
 Insulation resistance:500MΩ/DC500V  
 Withstand voltage:AC2000V / 1 min

**Mechanical**  
 Temp. Range:-40 ° C ~ + 105 ° C



## TERM BLOCK HDR 90 DEG 7.50&7.62mm

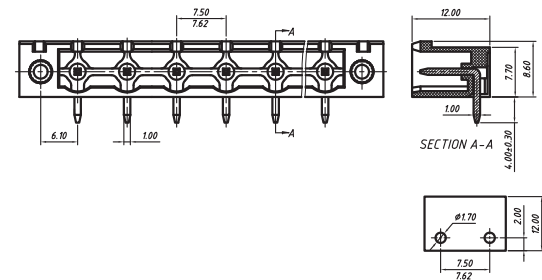


**KLS2-EDRY-7.50/7.62**

**Material**  
 Housing:PA66, UL94V-0  
 Pin header:Brass,Tin plated  
 Nut:M2.5,Brass

**Electrical**  
 Rated voltage:300V  
 Rated current:15A  
 Contact Resistance:20 m Ω  
 Insulation resistance:500MΩ/DC500V  
 Withstand voltage:AC2000V / 1 min

**Mechanical**  
 Temp. Range:-40 ° C ~ + 105 ° C



## TERM BLOCK HDR VERT 7.62mm

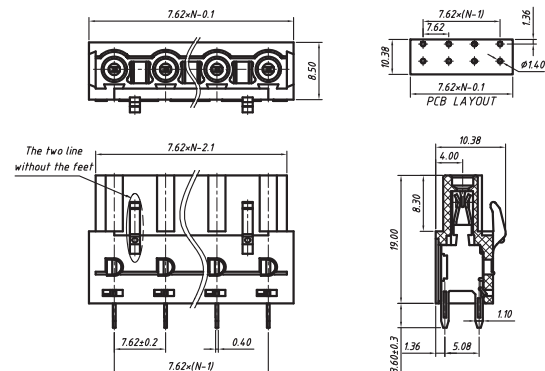


**KLS2-EDKH-7.62**

**Material**  
 Housing:PA66, UL94V-0  
 Clamp:Copper alloy,Sn plated

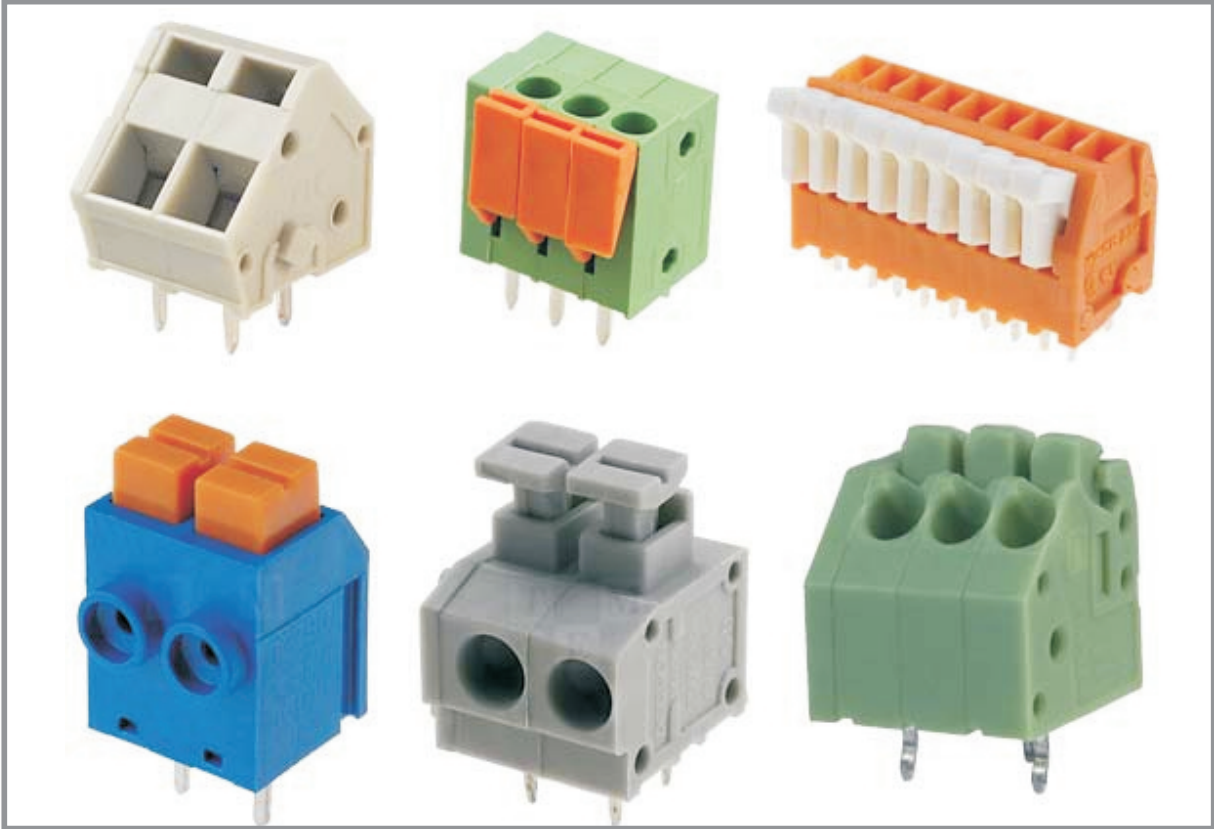
**Electrical**  
 Rated voltage:300V  
 Rated current:15A  
 Contact Resistance:20 m Ω  
 Insulation resistance:500MΩ/DC500V  
 Withstand voltage:AC2000V / 1 min

**Mechanical**  
 Temp. Range:-40 ° C ~ + 105 ° C





# SPRING CLAMP TERMINAL BLOCK



## Order Information

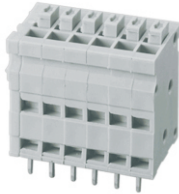
L-KLS2-211V-2.50-XXP-4 00



# Spring Clamp Terminal Block

**CB RoHS ISO9001:2015**

## CONN TERM BLK SPRNG 2.50mm PCB VERT

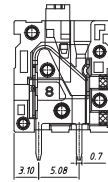
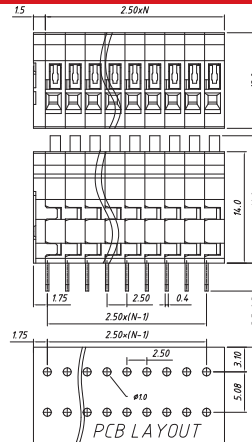


**KLS2-211V-2.50**

**Material**  
 Housing:PA66, UL94V-0  
 Pin header:Brass,Tin plated  
 Shrapnel:Stainless steel

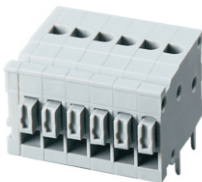
**Electrical**  
 Rated voltage:150V  
 Rated current:5A  
 Contact Resistance:20 m Ω  
 Insulation resistance:500MΩ/DC500V  
 Withstand voltage:AC1300V / 1 min  
 Wire range:26~20AWG 0.5mm<sup>2</sup>

**Mechanical**  
 Temp. Range:-40 ° C ~ + 105 ° C  
 Steip length:9-10mm  
 Soldering:250° C± 5° C for 5s



SECTION A-A

## CONN TERM BLK SPRNG 2.50mm PCB R/A

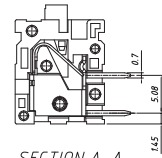
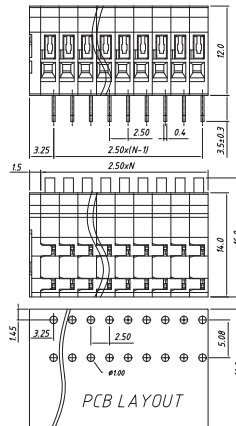


**KLS2-211R-2.50**

**Material**  
 Housing:PA66, UL94V-0  
 Pin header:Brass,Tin plated  
 Shrapnel:Stainless steel

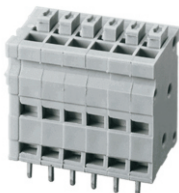
**Electrical**  
 Rated voltage:150V  
 Rated current:5A  
 Contact Resistance:20 m Ω  
 Insulation resistance:500MΩ/DC500V  
 Withstand voltage:AC1300V / 1 min  
 Wire range:26~20AWG 0.5mm<sup>2</sup>

**Mechanical**  
 Temp. Range:-40 ° C ~ + 105 ° C  
 Steip length:9-10mm  
 Soldering:250° C± 5° C for 5s



SECTION A-A

## CONN TERM BLK SPRNG 2.54mm PCB VERT

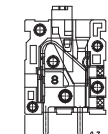
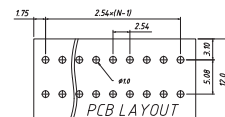
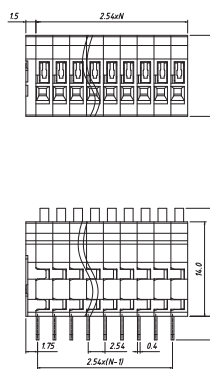


**KLS2-211V-2.54**

**Material**  
 Housing:PA66, UL94V-0  
 Pin header:Brass,Tin plated  
 Shrapnel:Stainless steel

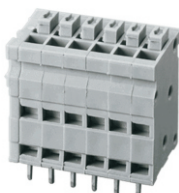
**Electrical**  
 Rated voltage:150V  
 Rated current:5A  
 Contact Resistance:20 m Ω  
 Insulation resistance:500MΩ/DC500V  
 Withstand voltage:AC1300V / 1 min  
 Wire range:26~20AWG 0.5mm<sup>2</sup>

**Mechanical**  
 Temp. Range:-40 ° C ~ + 105 ° C  
 Steip length:9-10mm  
 Soldering:250° C± 5° C for 5s



SECTION A-A

## CONN TERM BLK SPRNG 2.54mm PCB R/A

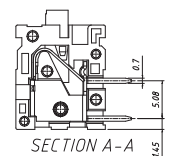
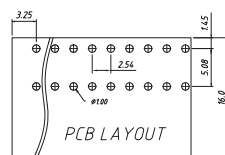
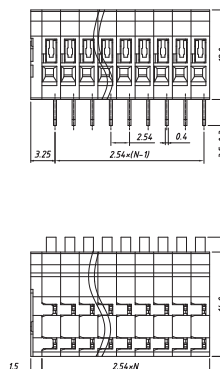


**KLS2-211R-2.54**

**Material**  
 Housing:PA66, UL94V-0  
 Pin header:Brass,Tin plated  
 Shrapnel:Stainless steel

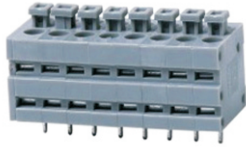
**Electrical**  
 Rated voltage:150V  
 Rated current:5A  
 Contact Resistance:20 m Ω  
 Insulation resistance:500MΩ/DC500V  
 Withstand voltage:AC1300V / 1 min  
 Wire range:26~20AWG 0.5mm<sup>2</sup>

**Mechanical**  
 Temp. Range:-40 ° C ~ + 105 ° C  
 Steip length:9-10mm  
 Soldering:250° C± 5° C for 5s



SECTION A-A

## CONN TERM BLK SPRNG 3.50mm PCB VERT

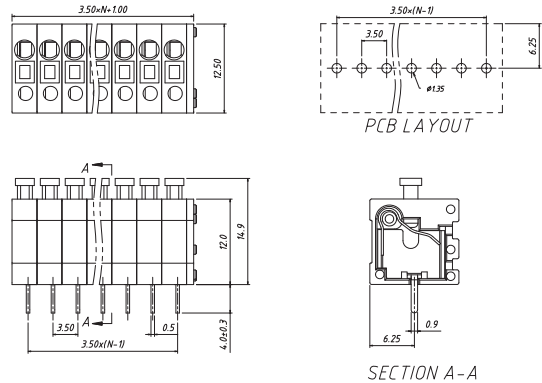


KLS2-211V-3.50

**Material**  
 Housing: PA66, UL94V-0  
 Pin header: Brass, Tin plated  
 Shrapnel: Stainless steel

**Electrical**  
 Rated voltage: 300V  
 Rated current: 8A  
 Contact Resistance: 20 mΩ  
 Insulation resistance: 500MΩ/DC500V  
 Withstand voltage: AC1300V / 1 min  
 Wire range: 26~18AWG 1.0mm<sup>2</sup>

**Mechanical**  
 Temp. Range: -40 °C ~ +105 °C  
 Steip length: 9-10mm  
 Soldering: 250° C ± 5° C for 5s



## CONN TERM BLK SPRNG 7.50mm PCB

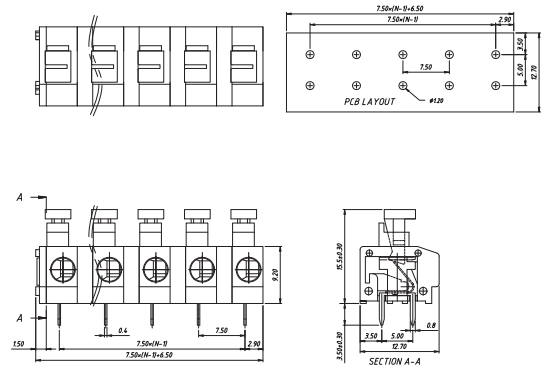


KLS2-235R-7.50

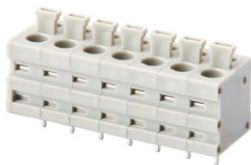
**Material**  
 Housing: PA66, UL94V-0  
 Pin header: Brass, Tin plated  
 Wire guard: Stainless steel

**Electrical**  
 Rated voltage: 300V  
 Rated current: 5A  
 Contact Resistance: 20 mΩ  
 Insulation resistance: 500MΩ/DC500V  
 Withstand voltage: AC2000V / 1 min  
 Wire range: 22~18AWG 1.0mm<sup>2</sup>

**Mechanical**  
 Temp. Range: -40 °C ~ +105 °C  
 Steip length: 9-10mm  
 Soldering: 250° C ± 5° C for 5s



## CONN TERM BLK SPRNG 5.00mm PCB VERT

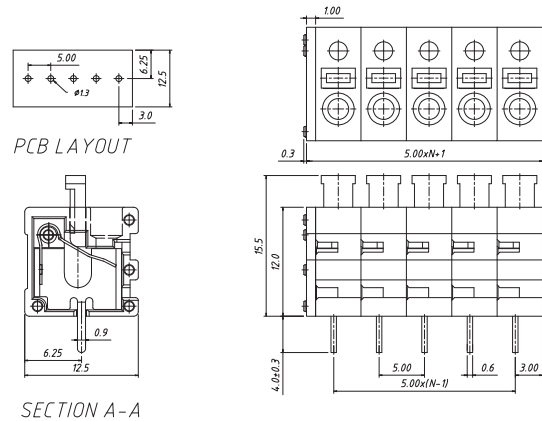


KLS2-211V-5.00

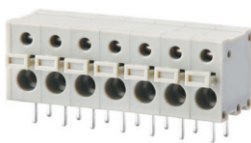
**Material**  
 Housing: PA66, UL94V-0  
 Pin header: Brass, Tin plated  
 Shrapnel: Stainless steel

**Electrical**  
 Rated voltage: 300V  
 Rated current: 10A  
 Contact Resistance: 20 mΩ  
 Insulation resistance: 500MΩ/DC500V  
 Withstand voltage: AC2000V / 1 min  
 Wire range: 26~14AWG 1.5mm<sup>2</sup>

**Mechanical**  
 Temp. Range: -40 °C ~ +105 °C  
 Steip length: 8-9mm  
 Soldering: 250° C ± 5° C for 5s



## CONN TERM BLK SPRNG 5.00mm PCB R/A

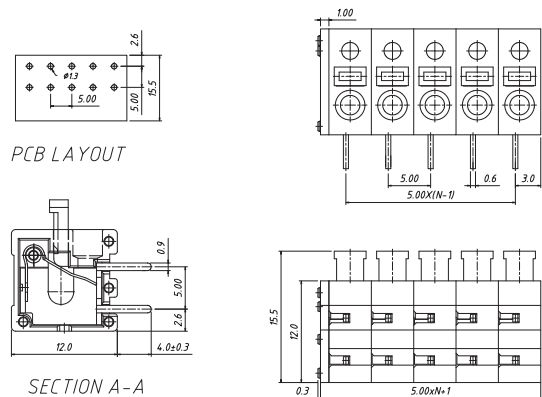


KLS2-211R-5.00

**Material**  
 Housing: PA66, UL94V-0  
 Pin header: Brass, Tin plated  
 Shrapnel: Stainless steel

**Electrical**  
 Rated voltage: 300V  
 Rated current: 10A  
 Contact Resistance: 20 mΩ  
 Insulation resistance: 500MΩ/DC500V  
 Withstand voltage: AC1300V / 1 min  
 Wire range: 26~16AWG 1.5mm<sup>2</sup>

**Mechanical**  
 Temp. Range: -40 °C ~ +105 °C  
 Steip length: 8-9mm  
 Soldering: 250° C ± 5° C for 5s

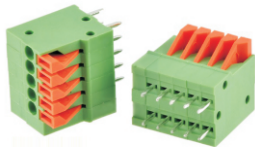




# Spring Clamp Terminal Block

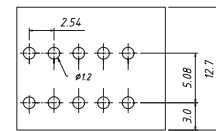
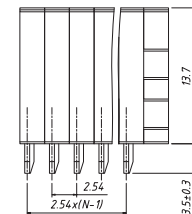
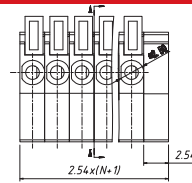
**CB RoHS ISO9001:2015**

## CONN TERM BLK SPRNG 2.54mm PCB VERT

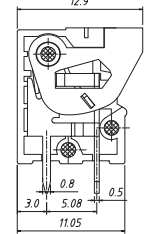


**KLS2-141V-254**

**Material**  
 Housing:PA66, UL94V-0  
 Pin header:Brass, Tin plated  
 Shrapnel:Stainless steel  
**Electrical**  
 Rated voltage:150V  
 Rated current:2A  
 Contact Resistance:20 m Ω  
 Insulation resistance:500MΩ/DC500V  
 Withstand voltage:AC1300V / 1 min  
 Wire range:26~20AWG 0.5mm<sup>2</sup>  
**Mechanical**  
 Temp. Range:-40 ° C ~ + 105 ° C  
 Steip length:9-10mm  
 Soldering:250° C± 5° C for 5s

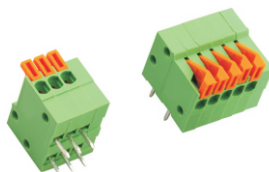


PCB LAYOUT



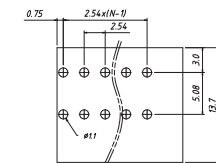
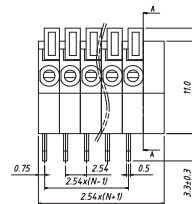
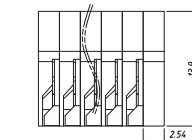
SECTION A-A

## CONN TERM BLK SPRNG 2.54mm PCB R/A

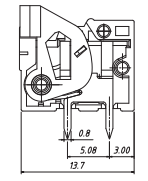


**KLS2-141R-254**

**Material**  
 Housing:PA66, UL94V-0  
 Pin header:Brass, Tin plated  
 Shrapnel:Stainless steel  
**Electrical**  
 Rated voltage:150V  
 Rated current:2A  
 Contact Resistance:20 m Ω  
 Insulation resistance:500MΩ/DC500V  
 Withstand voltage:AC1300V / 1 min  
 Wire range:26~20AWG 0.5mm<sup>2</sup>  
**Mechanical**  
 Temp. Range:-40 ° C ~ + 105 ° C  
 Steip length:9-10mm  
 Soldering:250° C± 5° C for 5s

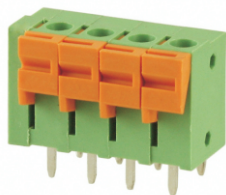


PCB LAYOUT



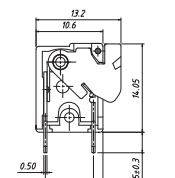
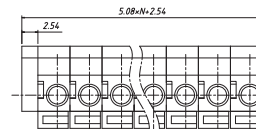
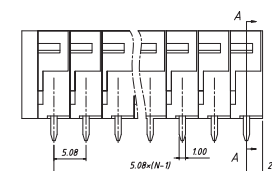
SECTION A-A

## CONN TERM BLK SPRNG 5.08mm PCB VERT

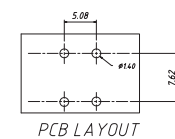


**KLS2-142V-508**

**Material**  
 Housing:PA66, UL94V-0  
 Pin header:Brass, Tin plated  
 Shrapnel:Stainless steel  
**Electrical**  
 Rated voltage:300V  
 Rated current:10A  
 Contact Resistance:20 m Ω  
 Insulation resistance:500MΩ/DC500V  
 Withstand voltage:AC2000V / 1 min  
 Wire range:22~16AWG 1.5mm<sup>2</sup>  
**Mechanical**  
 Temp. Range:-40 ° C ~ + 105 ° C  
 Steip length:9-10mm  
 Soldering:250° C± 5° C for 5s

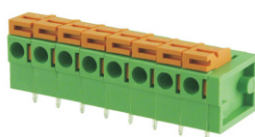


SECTION A-A



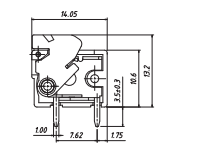
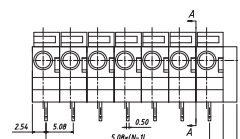
PCB LAYOUT

## CONN TERM BLK SPRNG 5.08mm PCB R/A

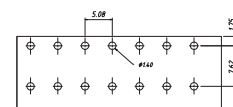


**KLS2-142R-508**

**Material**  
 Housing:PA66, UL94V-0  
 Pin header:Brass, Tin plated  
 Shrapnel:Stainless steel  
**Electrical**  
 Rated voltage:300V  
 Rated current:10A  
 Contact Resistance:20 m Ω  
 Insulation resistance:500MΩ/DC500V  
 Withstand voltage:AC2000V / 1 min  
 Wire range:22~16AWG 1.5mm<sup>2</sup>  
**Mechanical**  
 Temp. Range:-40 ° C ~ + 105 ° C  
 Steip length:9-10mm  
 Soldering:250° C± 5° C for 5s

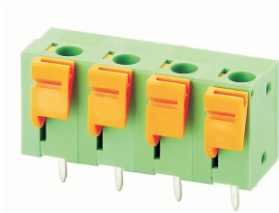


SECTION A-A



PCB LAYOUT

## CONN TERM BLK SPRNG 7.62mm PCB VERT



KLS2-143V-7.62

**Material**

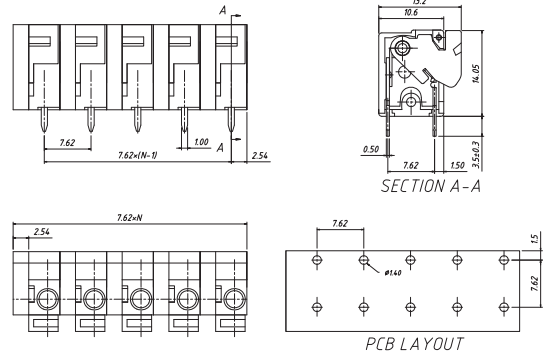
Housing:PA66, UL94V-0  
Pin header:Brass, Tin plated  
Shrapnel:Stainless steel

**Electrical**

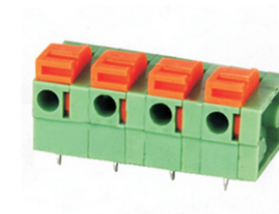
Rated voltage:300V  
Rated current:10A  
Contact Resistance:20 m Ω  
Insulation resistance:500MΩ/DC500V  
Withstand voltage:AC2000V / 1 min  
Wire range:22~16AWG 1.0mm<sup>2</sup>

**Mechanical**

Temp. Range:-40 ° C ~ + 105 ° C  
Steip length:9-10mm  
Soldering:250° C± 5° C for 5s



## CONN TERM BLK SPRNG 7.62mm PCB R/A



KLS2-143R-7.62

**Material**

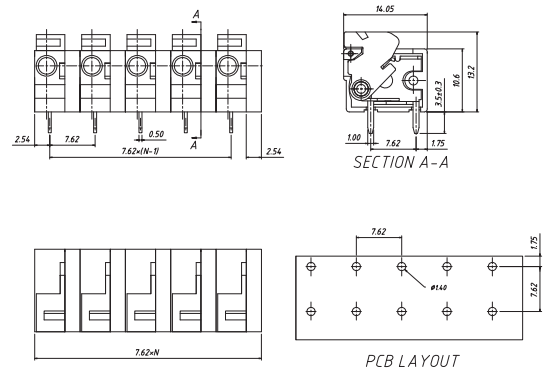
Housing:PA66, UL94V-0  
Pin header:Brass, Tin plated  
Shrapnel:Stainless steel

**Electrical**

Rated voltage:300V  
Rated current:10A  
Contact Resistance:20 m Ω  
Insulation resistance:500MΩ/DC500V  
Withstand voltage:AC2000V / 1 min  
Wire range:22~16AWG 1.0mm<sup>2</sup>

**Mechanical**

Temp. Range:-40 ° C ~ + 105 ° C  
Steip length:9-10mm  
Soldering:250° C± 5° C for 5s



## CONN TERM BLK 2.50mm A&B&C TYPE



KLS2-2.50V-5.00

**Material**

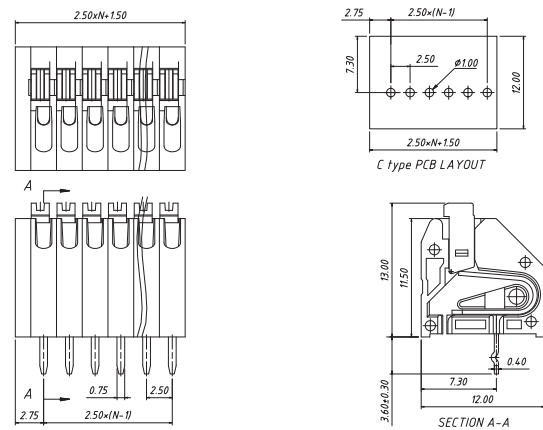
Housing:PA66, UL94V-0  
Pin header:Brass, Tin plated

**Electrical**

Rated voltage:300V  
Rated current:4A  
Contact Resistance:20 m Ω  
Insulation resistance:500MΩ/DC500V  
Withstand voltage:AC2000V / 1 min  
Wire range:28~20AWG 0.5mm<sup>2</sup>

**Mechanical**

Temp. Range:-40 ° C ~ + 105 ° C  
Steip length:9-10mm  
Soldering:250° C± 5° C for 5s



## CONN TERM BLK 3.50mm A&B&C&D Type



KLS2-3.50V-5.00

**Material**

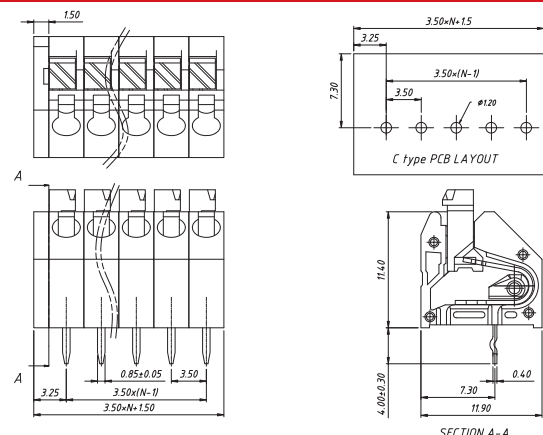
Housing:PA66, UL94V-0  
Pin header:Phosphor bronze, Tin plated

**Electrical**

Rated voltage:300V  
Rated current:5A  
Contact Resistance:20 m Ω  
Insulation resistance:500MΩ/DC500V  
Withstand voltage:AC2000V / 1 min  
Wire range:22~18AWG 0.75mm<sup>2</sup>

**Mechanical**

Temp. Range:-40 ° C ~ + 105 ° C  
Steip length:9-10mm  
Soldering:250° C± 5° C for 5s



# Spring Clamp Terminal Block

**CB RoHS ISO9001:2015**

## CONN TERM BLK SPRNG 5.00mm PCB



KLS2-206-5.00

**Material**

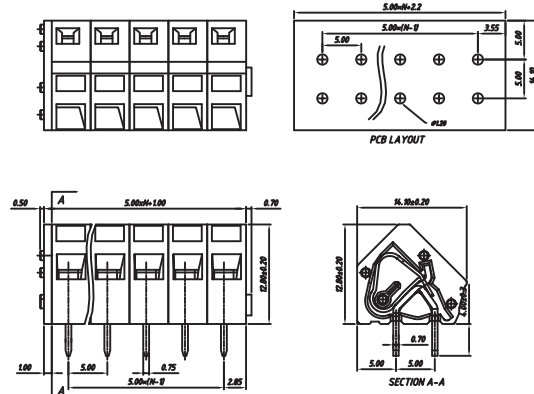
Housing:PA66, UL94V-0  
Pin header:Brass, Tin plated  
Shrapnel:Stainless steel

**Electrical**

Rated voltage:300V  
Rated current:10A  
Contact Resistance:20 m Ω  
Insulation resistance:500MΩ/DC500V  
Withstand voltage:AC2000V / 1 min  
Wire range:26~14AWG 1.5mm<sup>2</sup>

**Mechanical**

Temp. Range:-40 ° C ~ + 105 ° C  
Steip length:5-6mm  
Soldering:250° C± 5° C for 5s



## CONN TERM BLK SPRNG 7.50mm PCB



KLS2-206-7.50

**Material**

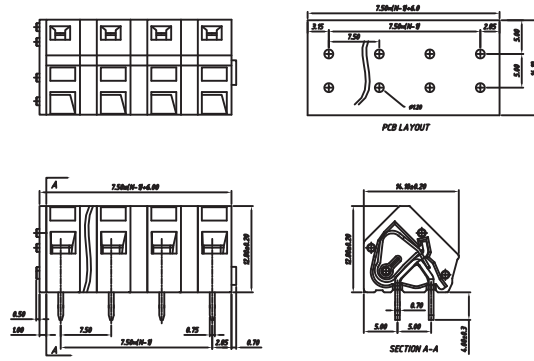
Housing:PA66, UL94V-0  
Pin header:Brass, Tin plated  
Shrapnel:Stainless steel

**Electrical**

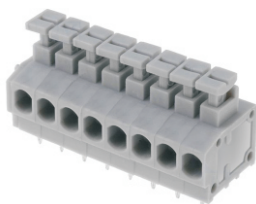
Rated voltage:300V  
Rated current:10A  
Contact Resistance:20 m Ω  
Insulation resistance:500MΩ/DC500V  
Withstand voltage:AC2000V / 1 min  
Wire range:26~14AWG 1.5mm<sup>2</sup>

**Mechanical**

Temp. Range:-40 ° C ~ + 105 ° C  
Steip length:5-6mm  
Soldering:250° C± 5° C for 5s



## CONN TERM BLK SPRNG 3.81mm PCB



KLS2-235R-3.81

**Material**

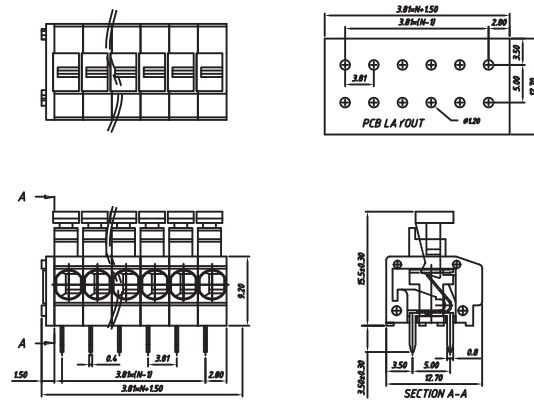
Housing:PA66, UL94V-0  
Pin header:Brass, Tin plated  
Wire guard:Stainless steel

**Electrical**

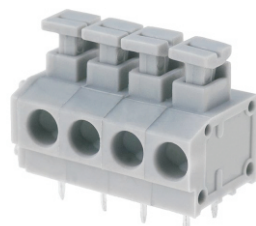
Rated voltage:300V  
Rated current:5A  
Contact Resistance:20 m Ω  
Insulation resistance:500MΩ/DC500V  
Withstand voltage:AC2000V / 1 min  
Wire range:22~18AWG 0.75mm<sup>2</sup>

**Mechanical**

Temp. Range:-40 ° C ~ + 105 ° C  
Steip length:9-10mm  
Soldering:250° C± 5° C for 5s



## CONN TERM BLK SPRNG 5.00mm PCB



KLS2-235R-5.00

**Material**

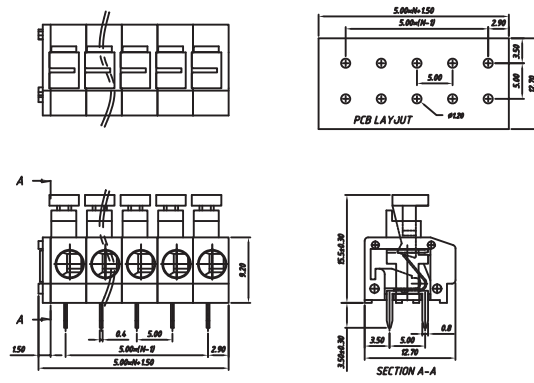
Housing:PA66, UL94V-0  
Pin header:Brass, Tin plated  
Wire guard:Stainless steel

**Electrical**

Rated voltage:300V  
Rated current:5A  
Contact Resistance:20 m Ω  
Insulation resistance:500MΩ/DC500V  
Withstand voltage:AC2000V / 1 min  
Wire range:22~18AWG 1.0mm<sup>2</sup>

**Mechanical**

Temp. Range:-40 ° C ~ + 105 ° C  
Steip length:9-10mm  
Soldering:250° C± 5° C for 5s



## CONN TERM BLK SPRNG 5.00mm PCB



KLS2-236-5.00

**Material**

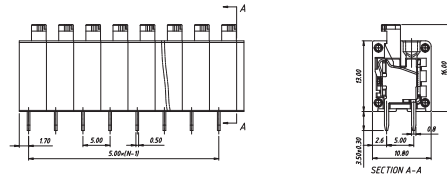
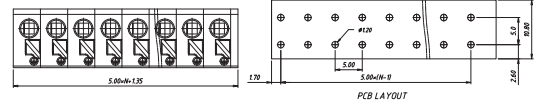
Housing:PA66, UL94V-0  
Pin header:Brass, Tin plated  
Shrapnel:Stainless steel

**Electrical**

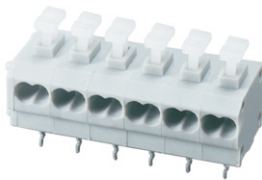
Rated voltage:300V  
Rated current:10A  
Contact Resistance:20 m Ω  
Insulation resistance:500MΩ/DC500V  
Withstand voltage:AC2000V / 1 min  
Wire range:20~16AWG 1.0mm<sup>2</sup>

**Mechanical**

Temp. Range:-40 ° C ~ + 105 ° C  
Steip length:9-10mm  
Soldering:250° C± 5° C for 5s



## CONN TERM BLK SPRNG 5.00mm PCB



KLS2-235T-5.00

**Material**

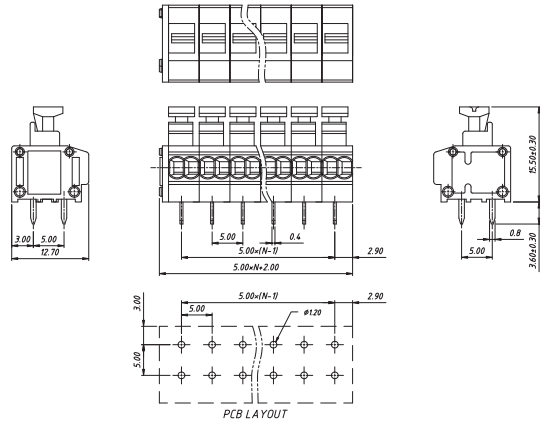
Housing:PA66, UL94V-0  
Pin header:Brass, Tin plated  
Shrapnel:Stainless steel

**Electrical**

Rated voltage:250V  
Rated current:5A  
Contact Resistance:20 m Ω  
Insulation resistance:500MΩ/DC500V  
Withstand voltage:AC2000V / 1 min  
Wire range:22~18AWG 1.0mm<sup>2</sup>

**Mechanical**

Temp. Range:-40 ° C ~ + 105 ° C  
Steip length:9-10mm  
Soldering:250° C± 5° C for 5s



## CONN TERM BLK SPRNG 5.00mm PCB



KLS2-235W-5.00

**Material**

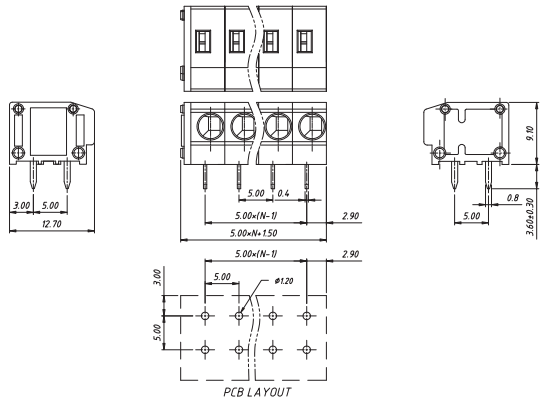
Housing:PA66, UL94V-0  
Pin header:Brass, Tin plated  
Shrapnel:Stainless steel

**Electrical**

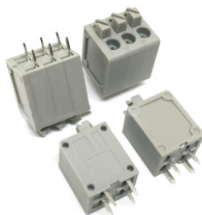
Rated voltage:300V  
Rated current:10A  
Contact Resistance:20 m Ω  
Insulation resistance:500MΩ/DC500V  
Withstand voltage:AC2000V / 1 min  
Wire range:22~16AWG 1.5mm<sup>2</sup>

**Mechanical**

Temp. Range:-40 ° C ~ + 105 ° C  
Steip length:9-10mm  
Soldering:250° C± 5° C for 5s



## CONN TERM BLK SPRNG 3.81mm PCB



KLS2-236-3.81

**Material**

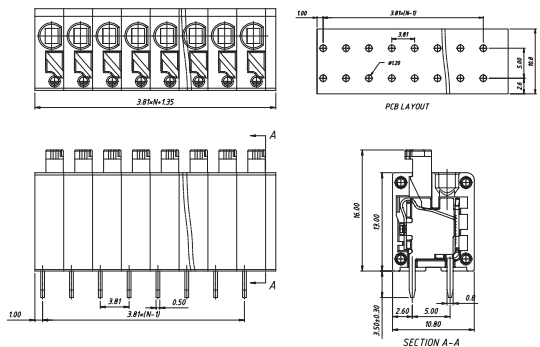
Housing:PA66, UL94V-0  
Pin header:Brass, Tin plated  
Shrapnel:Stainless steel

**Electrical**

Rated voltage:300V  
Rated current:10A  
Contact Resistance:20 m Ω  
Insulation resistance:500MΩ/DC500V  
Withstand voltage:AC2000V / 1 min  
Wire range:20~16AWG 1.0mm<sup>2</sup>

**Mechanical**

Temp. Range:-40 ° C ~ + 105 ° C  
Steip length:9-10mm  
Soldering:250° C± 5° C for 5s





# Spring Clamp Terminal Block

**CB RoHS ISO9001:2015**

## CONN TERM BLK SPRNG 7.50mm PCB



**KLS2-236-7.50**

**Material**

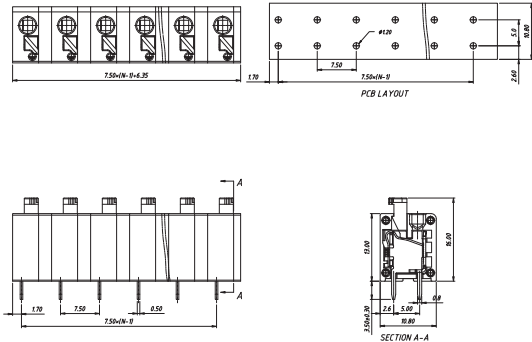
Housing:PA66, UL94V-0  
Pin header:Brass, Tin plated  
Shrapnel:Stainless steel

**Electrical**

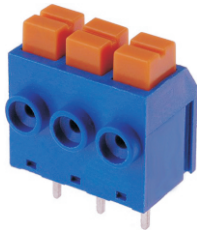
Rated voltage:300V  
Rated current:10A  
Contact Resistance:20 m Ω  
Insulation resistance:500MΩ/DC500V  
Withstand voltage:AC2000V / 1 min  
Wire range:20~16AWG 1.0mm<sup>2</sup>

**Mechanical**

Temp. Range:-40 ° C ~ + 105 ° C  
Steip length:9-10mm  
Soldering:250° C± 5° C for 5s



## CONN TERM BLK SPRNG 5.00mm PCB



**KLS2-145R-5.00**

**Material**

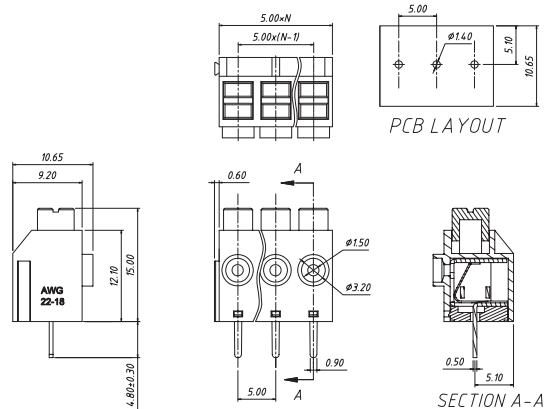
Housing:PBT, UL94V-0  
Pin header:Brass, Tin plated  
Shrapnel:Stainless steel

**Electrical**

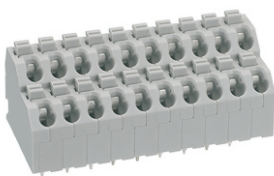
Rated voltage:300V  
Rated current:8A  
Contact Resistance:20 m Ω  
Insulation resistance:500MΩ/DC500V  
Withstand voltage:AC2000V / 1 min  
Wire range:22~18AWG 1.0mm<sup>2</sup>

**Mechanical**

Temp. Range:-40 ° C ~ + 105 ° C  
Steip length:7-7.5mm  
Soldering:250° C± 5° C for 5s



## CONN TERM BLK SPRNG 5.00x15.0mm PCB



**KLS2-5.00V-15.0**

**Material**

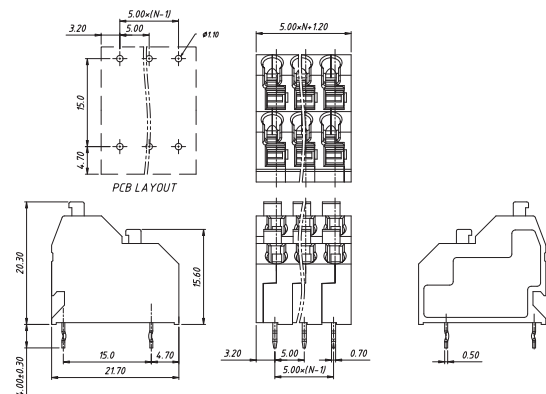
Housing:PA66 , UL94V-0  
Pin header:Brass , Tin plated  
Wire guard:Stainless steel

**Electrical**

Rated voltage:300V  
Rated current:10A  
Wire range:22~16AWG 1.5mm<sup>2</sup>  
Contact Resistance: 20 m Ω  
Insulation resistance:500MΩ/DC500V  
Withstand voltage: AC2000V / 1 min

**Mechanical**

Temp. Range:-40 ° C ~ + 105 ° C  
Soldering:250° C±5° C for 5S  
Strip length:9~10 mm



## CONN TERM BLK SPRNG 5.00mm PCB



**KLS2-260-5.00**

**Material**

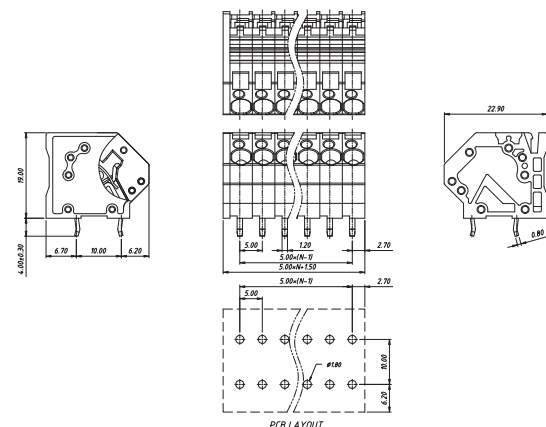
Housing:PA66, UL94V-0  
Pin header:Brass, Tin plated  
Wire guard:Stainless steel

**Electrical**

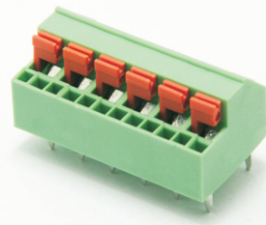
Rated voltage:300V  
Rated current:10A  
Contact Resistance:20 m Ω  
Insulation resistance:500MΩ/DC500V  
Withstand voltage:AC2000V / 1 min  
Wire range:26~14AWG 2.5mm<sup>2</sup>

**Mechanical**

Temp. Range:-40 ° C ~ + 105 ° C  
Steip length:8-9mm  
Soldering:250° C± 5° C for 5s



## CONN TERM BLK SPRNG 5.08mm PCB



KLS2-239R-5.08

**Material**

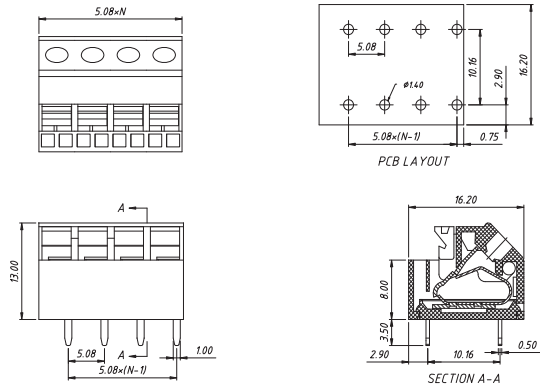
Housing:PA66, UL94V-0  
Pin header:Brass, Tin plated  
Wire guard:Stainless steel

**Electrical**

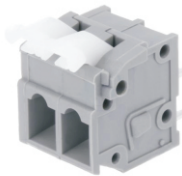
Rated voltage:300V  
Rated current:10A  
Contact Resistance:20 m Ω  
Insulation resistance:500MΩ/DC500V  
Withstand voltage:AC2500V / 1 min  
Wire range:22~14AWG 1.5mm<sup>2</sup>

**Mechanical**

Temp. Range:-30 °C ~ + 105 °C  
Steip length:9-10mm  
Soldering:250° C± 5° C for 5s



## CONN TERM BLK SPRNG 5.00mm PCB VERT



KLS2-242V-5.00

**Material**

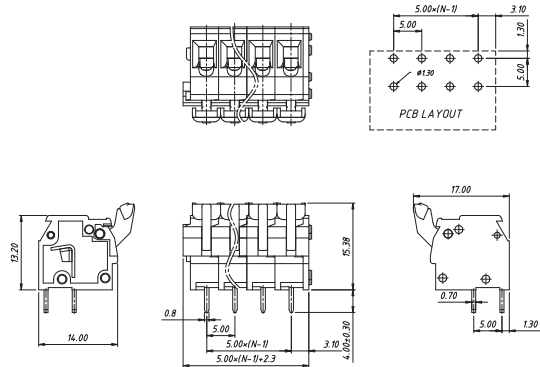
Housing:PA66, UL94V-0  
Pin header:Brass, Tin plated  
Wire guard:Stainless steel

**Electrical**

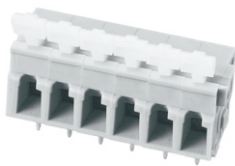
Rated voltage:300V  
Rated current:15A  
Contact Resistance:20 m Ω  
Insulation resistance:500MΩ/DC500V  
Withstand voltage:AC2000V / 1 min  
Wire range:28~12AWG 2.5mm<sup>2</sup>

**Mechanical**

Temp. Range:-40 °C ~ + 105 °C  
Steip length:5-6mm  
Soldering:250° C± 5° C for 5s



## CONN TERM BLK SPRNG 5.00mm PCB R/A



KLS2-242R-5.00

**Material**

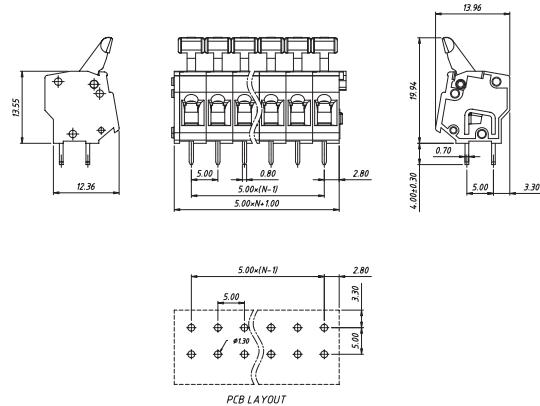
Housing:PA66, UL94V-0  
Pin header:Brass, Tin plated  
Wire guard:Stainless steel

**Electrical**

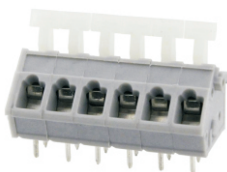
Rated voltage:300V  
Rated current:10A  
Contact Resistance:20 m Ω  
Insulation resistance:500MΩ/DC500V  
Withstand voltage:AC2000V / 1 min  
Wire range:26~14AWG 2.5mm<sup>2</sup>

**Mechanical**

Temp. Range:-40 °C ~ + 105 °C  
Steip length:5-6mm  
Soldering:250° C± 5° C for 5s



## CONN TERM BLK SPRNG 5.00mm PCB VERT



KLS2-243V-5.00

**Material**

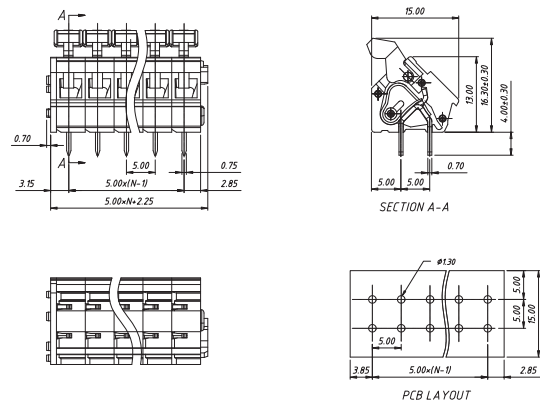
Housing:PA66, UL94V-0  
Pin header:Brass, Tin plated  
Wire guard:Stainless steel

**Electrical**

Rated voltage:300V  
Rated current:10A  
Contact Resistance:20 m Ω  
Insulation resistance:500MΩ/DC500V  
Withstand voltage:AC2000V / 1 min  
Wire range:26~14AWG 1.5mm<sup>2</sup>

**Mechanical**

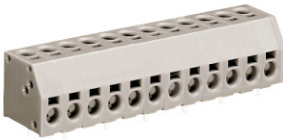
Temp. Range:-40 °C ~ + 105 °C  
Steip length:5-6mm  
Soldering:250° C± 5° C for 5s



# Spring Clamp Terminal Block

**CB RoHS ISO9001:2015**

## CONN TERM BLK SPRNG 5.00mm PCB



**KLS2-240-5.00**

**Material**

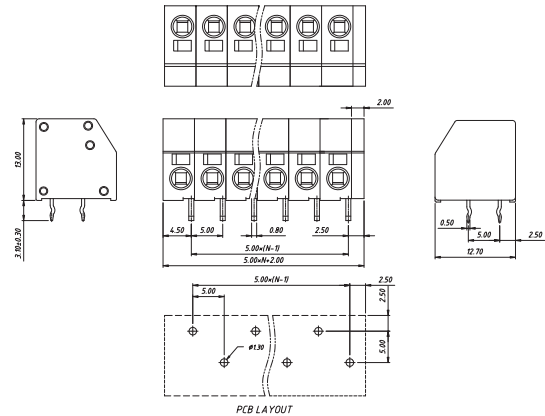
Housing:PA66, UL94V-0  
Pin header:Brass, Tin plated  
Wire guard:Stainless steel

**Electrical**

Rated voltage:300V  
Rated current:5A  
Contact Resistance:20 m Ω  
Insulation resistance:500MΩ/DC500V  
Withstand voltage:AC2000V / 1 min  
Wire range:22~16AWG 1.5mm<sup>2</sup>

**Mechanical**

Temp. Range:-40 ° C ~ + 105 ° C  
Steip length:7-8mm  
Soldering:250° C ± 5° C for 5s



## CONN TERM BLK SPRNG 5.00mm PCB



**KLS2-245-5.00**

**Material**

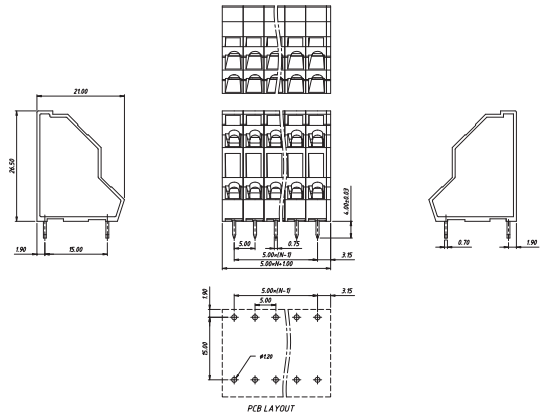
Housing:PA66, UL94V-0  
Pin header:Brass, Tin plated  
Wire guard:Stainless steel

**Electrical**

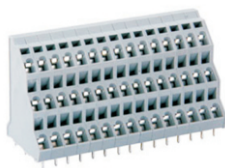
Rated voltage:300V  
Rated current:10A  
Contact Resistance:20 m Ω  
Insulation resistance:500MΩ/DC500V  
Withstand voltage:AC2000V / 1 min  
Wire range:28~12AWG 2.5mm<sup>2</sup>

**Mechanical**

Temp. Range:-40 ° C ~ + 105 ° C  
Steip length:5-6mm  
Soldering:250° C ± 5° C for 5s



## CONN TERM BLK SPRNG 5.00mm PCB



**KLS2-246-5.00**

**Material**

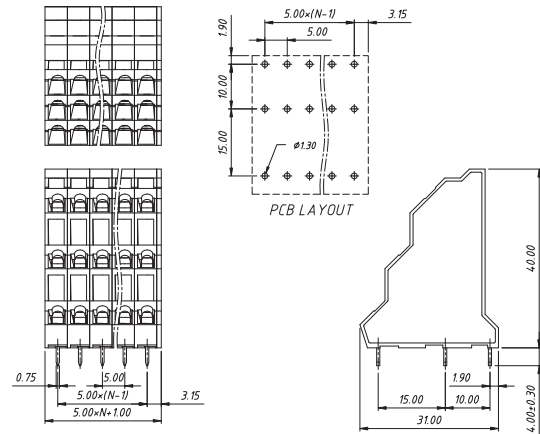
Housing:PA66, UL94V-0  
Pin header:Brass, Tin plated  
Wire guard:Stainless steel

**Electrical**

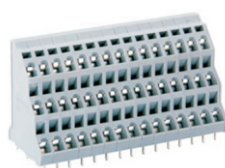
Rated voltage:300V  
Rated current:10A  
Contact Resistance:20 m Ω  
Insulation resistance:500MΩ/DC500V  
Withstand voltage:AC2000V / 1 min  
Wire range:28~12AWG 2.5mm<sup>2</sup>

**Mechanical**

Temp. Range:-40 ° C ~ + 105 ° C  
Steip length:5-6mm  
Soldering:250° C ± 5° C for 5s



## CONN TERM BLK SPRNG 7.50mm PCB



**KLS2-246-7.50**

**Material**

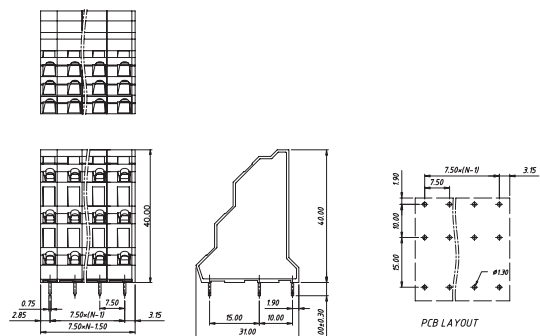
Housing:PA66, UL94V-0  
Pin header:Brass, Tin plated  
Wire guard:Stainless steel

**Electrical**

Rated voltage:300V  
Rated current:10A  
Contact Resistance:20 m Ω  
Insulation resistance:500MΩ/DC500V  
Withstand voltage:AC2000V / 1 min  
Wire range:28~12AWG 2.5mm<sup>2</sup>

**Mechanical**

Temp. Range:-40 ° C ~ + 105 ° C  
Steip length:5-6mm  
Soldering:250° C ± 5° C for 5s



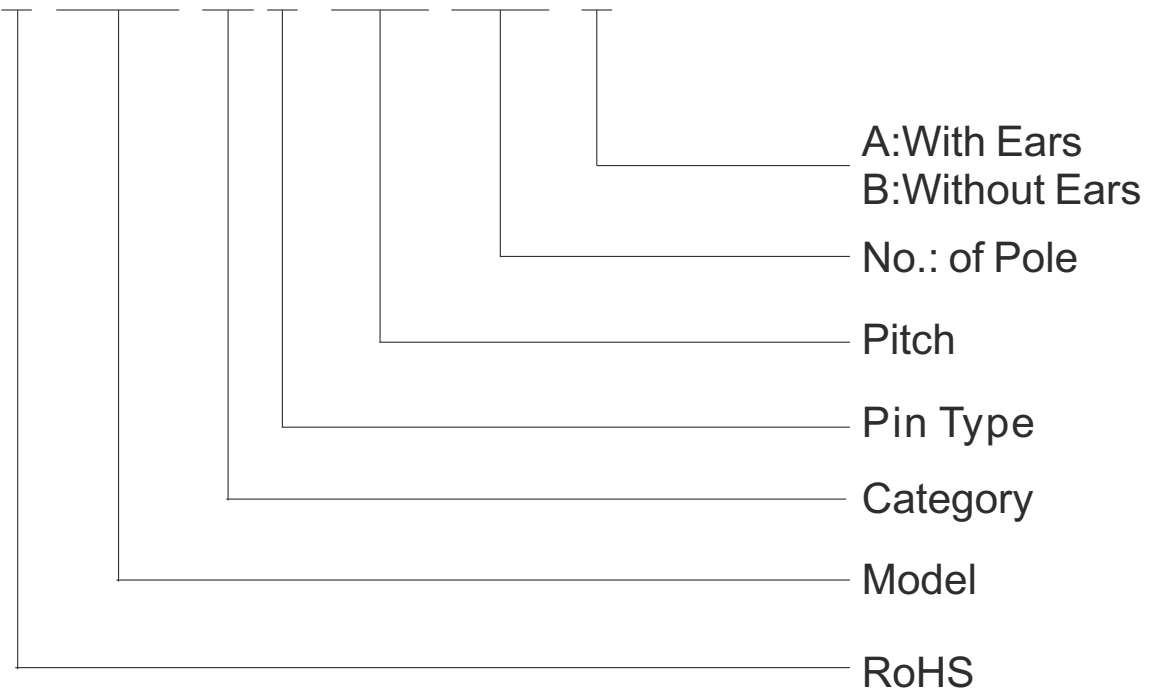


# BARRIER TERMINAL BLOCKS



## Order Information

L-KLS2-25A-7.62-XXP-B





# Barrier Terminal Blocks





**CB RoHS ISO9001:2015**

## CONN BARRIER STRIP 7.62mm



**KLS2-25A-7.62**

**Material**

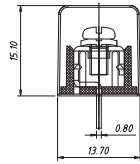
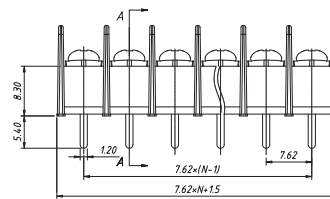
Housing: PA66 UL94V-0, Black  
Pin header: Brass 0.8t, Tin plated  
Screw: M3 Steel Ni Plated

**Electrical**

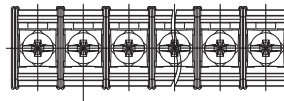
Rated voltage: 300V  
Rated current: 15A  
Contact resistance: 20mΩ  
Insulation resistance: 500MΩ/DC500V  
Withstanding Voltage: AC2000V/1Min  
Wire range: 22-14AWG 1.5mm<sup>2</sup>

**Mechanical**

Temp. Range: -40°C~+105°C  
Torque: 0.5Nm (4.5lb.in)



SECTION A-A



## CONN BARRIER STRIP 7.62mm



**KLS2-25B-7.62**

**Material**

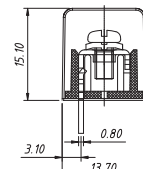
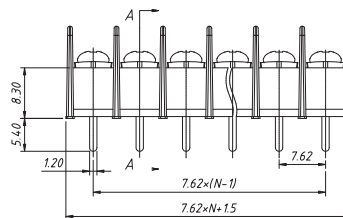
Housing: PA66 UL94V-0, Black  
Pin header: Brass 0.8t, Tin plated  
Screw: M3 Steel Ni Plated

**Electrical**

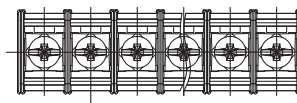
Rated voltage: 300V  
Rated current: 15A  
Contact resistance: 20mΩ  
Insulation resistance: 500MΩ/DC500V  
Withstanding Voltage: AC2000V/1Min  
Wire range: 22-14AWG 1.5mm<sup>2</sup>

**Mechanical**

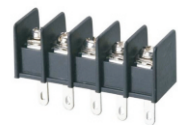
Temp. Range: -40°C~+105°C  
Torque: 0.5Nm (4.5lb.in)



SECTION A-A



## CONN BARRIER STRIP 7.62mm



**KLS2-25C-7.62**

**Material**

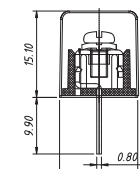
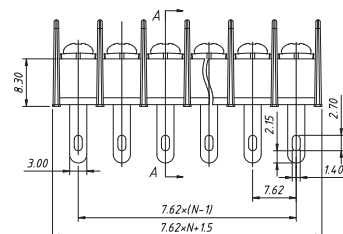
Housing: PA66 UL94V-0, Black  
Pin header: Brass 0.8t, Tin plated  
Screw: M3 Steel Ni Plated

**Electrical**

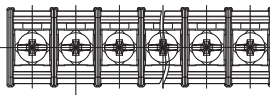
Rated voltage: 300V  
Rated current: 15A  
Contact resistance: 20mΩ  
Insulation resistance: 500MΩ/DC500V  
Withstanding Voltage: AC2000V/1Min  
Wire range: 22-14AWG 1.5mm<sup>2</sup>

**Mechanical**

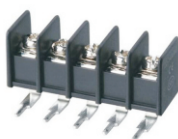
Temp. Range: -40°C~+105°C  
Torque: 0.5Nm (4.5lb.in)



SECTION A-A



## CONN BARRIER STRIP 7.62mm



**KLS2-25R-7.62**

**Material**

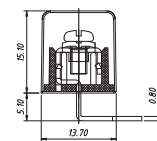
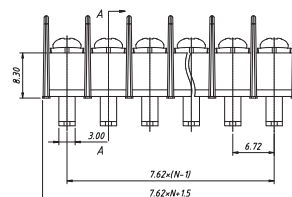
Housing: PA66 UL94V-0, Black  
Pin header: Brass 0.8t, Tin plated  
Screw: M3 Steel Ni Plated

**Electrical**

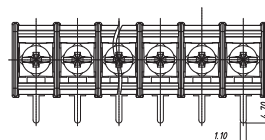
Rated voltage: 300V  
Rated current: 15A  
Contact resistance: 20mΩ  
Insulation resistance: 500MΩ/DC500V  
Withstanding Voltage: AC2000V/1Min  
Wire range: 22-14AWG 1.5mm<sup>2</sup>

**Mechanical**

Temp. Range: -40°C~+105°C  
Torque: 0.5Nm (4.5lb.in)



SECTION A-A



## CONN BARRIER STRIP 7.62mm



**KLS2-25A-7.62**

### Material

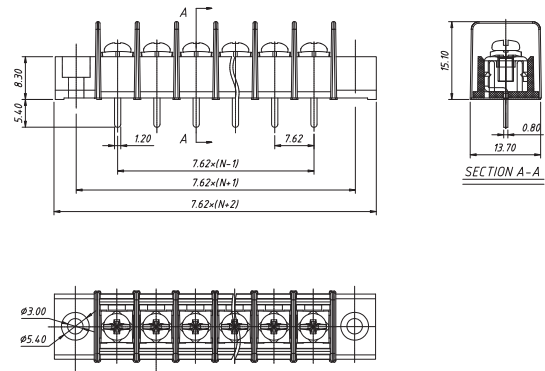
Housing:PA66 UL94V-0,Black  
Pin header:Brass 0.8t,Tin plated  
Screw:M3 Steel Ni Plated

### Electrical

Rated voltage:300V  
Rated current:15A  
Contact resistance: 20mΩ  
Insulation resistance: 500MΩ/DC500V  
Withstanding Voltage: AC2000V/1Min  
Wire range:22-14AWG 1.5mm<sup>2</sup>

### Mechanical

Temp.Range: -40°C~+105°C  
Torque:0.5Nm (4.5lb.in)



## CONN BARRIER STRIP 7.62mm



**KLS2-25B-7.62**

### Material

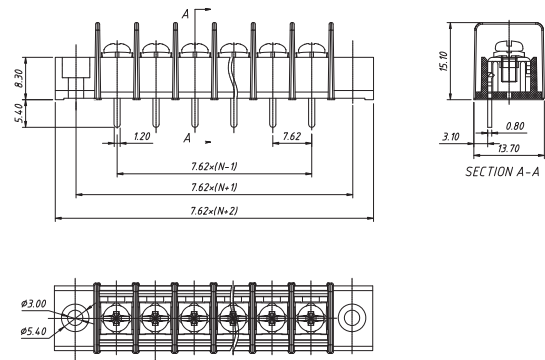
Housing:PA66 UL94V-0,Black  
Pin header:Brass 0.8t,Tin plated  
Screw:M3 Steel Ni Plated

### Electrical

Rated voltage:300V  
Rated current:15A  
Contact resistance: 20mΩ  
Insulation resistance: 500MΩ/DC500V  
Withstanding Voltage: AC2000V/1Min  
Wire range:22-14AWG 1.5mm<sup>2</sup>

### Mechanical

Temp.Range: -40°C~+105°C  
Torque:0.5Nm (4.5lb.in)



## CONN BARRIER STRIP 7.62mm



**KLS2-25C-7.62**

### Material

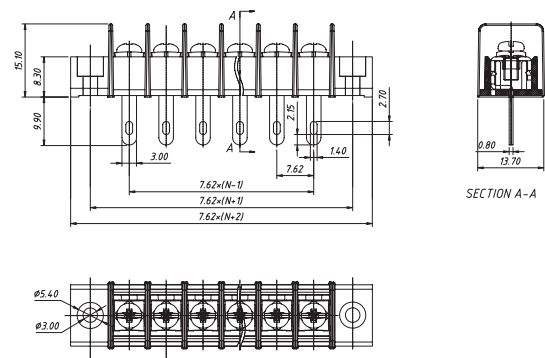
Housing:PA66 UL94V-0,Black  
Pin header:Brass 0.8t,Tin plated  
Screw:M3 Steel Ni Plated

### Electrical

Rated voltage:300V  
Rated current:15A  
Contact resistance: 20mΩ  
Insulation resistance: 500MΩ/DC500V  
Withstanding Voltage: AC2000V/1Min  
Wire range:22-14AWG 1.5mm<sup>2</sup>

### Mechanical

Temp.Range: -40°C~+105°C  
Torque:0.5Nm (4.5lb.in)



## CONN BARRIER STRIP 7.62mm



**KLS2-25R-7.62**

### Material

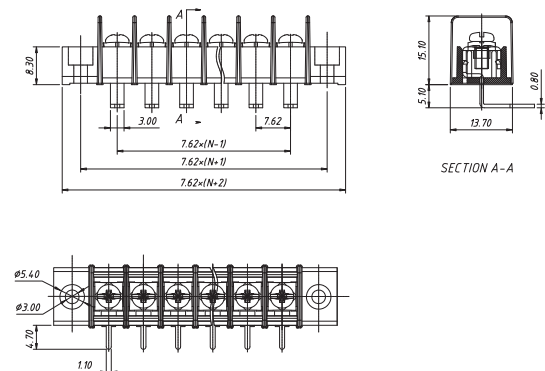
Housing:PA66 UL94V-0,Black  
Pin header:Brass 0.8t,Tin plated  
Screw:M3 Steel Ni Plated

### Electrical

Rated voltage:300V  
Rated current:15A  
Contact resistance: 20mΩ  
Insulation resistance: 500MΩ/DC500V  
Withstanding Voltage: AC2000V/1Min  
Wire range:22-14AWG 1.5mm<sup>2</sup>

### Mechanical

Temp.Range: -40°C~+105°C  
Torque:0.5Nm (4.5lb.in)



# Barrier Terminal Blocks





**CB RoHS ISO9001:2015**

## CONN BARRIER STRIP 8.25mm

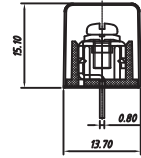
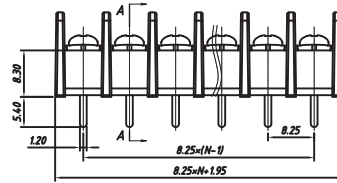


**KLS2-35A-8.25**

**Material**  
 Housing:PA66 UL94V-0,Black  
 Pin header:Brass 0.8t,Tin plated  
 Screw:M3 Steel Ni Plated

**Electrical**  
 Rated voltage:300V  
 Rated current:15A  
 Contact resistance: 20mΩ  
 Insulation resistance: 500MΩ/DC500V  
 Withstanding Voltage: AC2000V/1Min  
 Wire range:22-14AWG 1.5mm<sup>2</sup>

**Mechanical**  
 Temp.Range: -40°C~+105°C  
 Torque:0.5Nm (4.5lb.in)



SECTION A-A



## CONN BARRIER STRIP 8.25mm

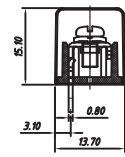
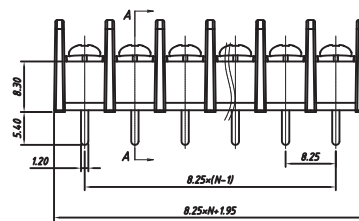


**KLS2-35B-8.25**

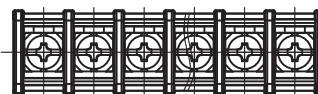
**Material**  
 Housing:PA66 UL94V-0,Black  
 Pin header:Brass 0.8t,Tin plated  
 Screw:M3 Steel Ni Plated

**Electrical**  
 Rated voltage:300V  
 Rated current:15A  
 Contact resistance: 20mΩ  
 Insulation resistance: 500MΩ/DC500V  
 Withstanding Voltage: AC2000V/1Min  
 Wire range:22-14AWG 1.5mm<sup>2</sup>

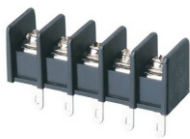
**Mechanical**  
 Temp.Range: -40°C~+105°C  
 Torque:0.5Nm (4.5lb.in)



SECTION A-A



## CONN BARRIER STRIP 8.25mm

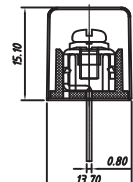
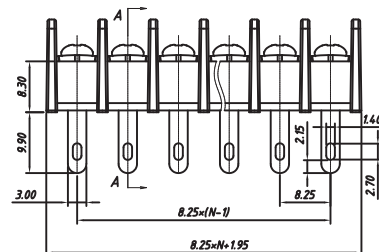


**KLS2-35C-8.25**

**Material**  
 Housing:PA66 UL94V-0,Black  
 Pin header:Brass 0.8t,Tin plated  
 Screw:M3 Steel Ni Plated

**Electrical**  
 Rated voltage:300V  
 Rated current:15A  
 Contact resistance: 20mΩ  
 Insulation resistance: 500MΩ/DC500V  
 Withstanding Voltage: AC2000V/1Min  
 Wire range:22-14AWG 1.5mm<sup>2</sup>

**Mechanical**  
 Temp.Range: -40°C~+105°C  
 Torque:0.5Nm (4.5lb.in)



SECTION A-A



## CONN BARRIER STRIP 8.25mm

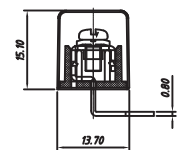
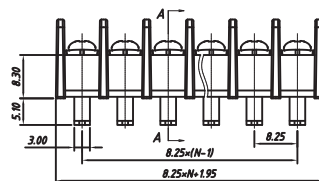


**KLS2-35R-8.25**

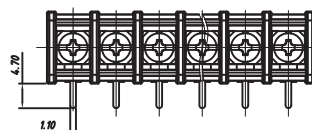
**Material**  
 Housing:PA66 UL94V-0,Black  
 Pin header:Brass 0.8t,Tin plated  
 Screw:M3 Steel Ni Plated

**Electrical**  
 Rated voltage:300V  
 Rated current:15A  
 Contact resistance: 20mΩ  
 Insulation resistance: 500MΩ/DC500V  
 Withstanding Voltage: AC2000V/1Min  
 Wire range:22-14AWG 1.5mm<sup>2</sup>

**Mechanical**  
 Temp.Range: -40°C~+105°C  
 Torque:0.5Nm (4.5lb.in)



SECTION A-A



## CONN BARRIER STRIP 8.25mm



**KLS2-35A-8.25**

**Material**

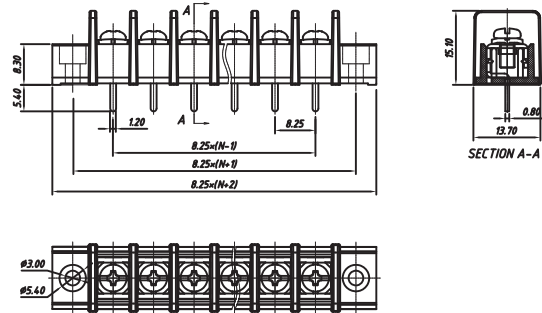
Housing:PA66 UL94V-0,Black  
Pin header:Brass 0.8t,Tin plated  
Screw:M3 Steel Ni Plated

**Electrical**

Rated voltage:300V  
Rated current:15A  
Contact resistance: 20mΩ  
Insulation resistance: 500MΩ/DC500V  
Withstanding Voltage: AC2000V/1Min  
Wire range:22-14AWG 1.5mm<sup>2</sup>

**Mechanical**

Temp.Range: -40°C~+105°C  
Torque:0.5Nm (4.5lb.in)



## CONN BARRIER STRIP 8.25mm



**KLS2-35B-8.25**

**Material**

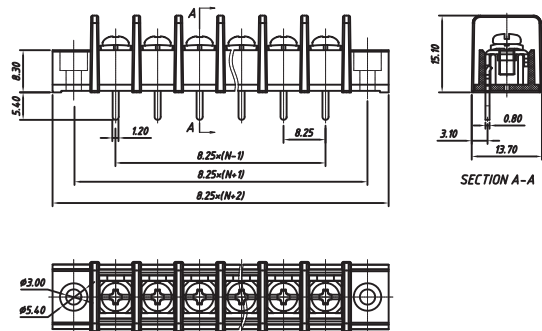
Housing:PA66 UL94V-0,Black  
Pin header:Brass 0.8t,Tin plated  
Screw:M3 Steel Ni Plated

**Electrical**

Rated voltage:300V  
Rated current:15A  
Contact resistance: 20mΩ  
Insulation resistance: 500MΩ/DC500V  
Withstanding Voltage: AC2000V/1Min  
Wire range:22-14AWG 1.5mm<sup>2</sup>

**Mechanical**

Temp.Range: -40°C~+105°C  
Torque:0.5Nm (4.5lb.in)



## CONN BARRIER STRIP 8.25mm



**KLS2-35C-8.25**

**Material**

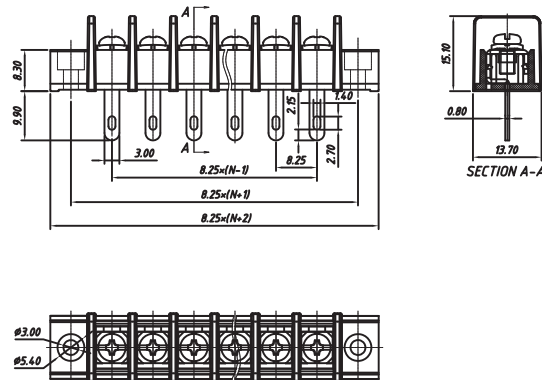
Housing:PA66 UL94V-0,Black  
Pin header:Brass 0.8t,Tin plated  
Screw:M3 Steel Ni Plated

**Electrical**

Rated voltage:300V  
Rated current:15A  
Contact resistance: 20mΩ  
Insulation resistance: 500MΩ/DC500V  
Withstanding Voltage: AC2000V/1Min  
Wire range:22-14AWG 1.5mm<sup>2</sup>

**Mechanical**

Temp.Range: -40°C~+105°C  
Torque:0.5Nm (4.5lb.in)



## CONN BARRIER STRIP 8.25mm



**KLS2-35R-8.25**

**Material**

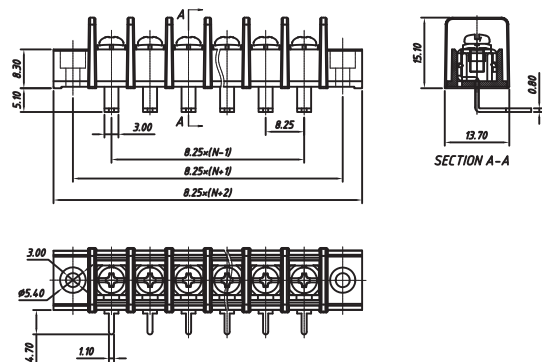
Housing:PA66 UL94V-0,Black  
Pin header:Brass 0.8t,Tin plated  
Screw:M3 Steel Ni Plated

**Electrical**

Rated voltage:300V  
Rated current:15A  
Contact resistance: 20mΩ  
Insulation resistance: 500MΩ/DC500V  
Withstanding Voltage: AC2000V/1Min  
Wire range:22-14AWG 1.5mm<sup>2</sup>

**Mechanical**

Temp.Range: -40°C~+105°C  
Torque:0.5Nm (4.5lb.in)



# Barrier Terminal Blocks

**CB RoHS ISO9001:2015**

## CONN BARRIER STRIP 9.5mm



**KLS2-45A-9.50**

**Material**

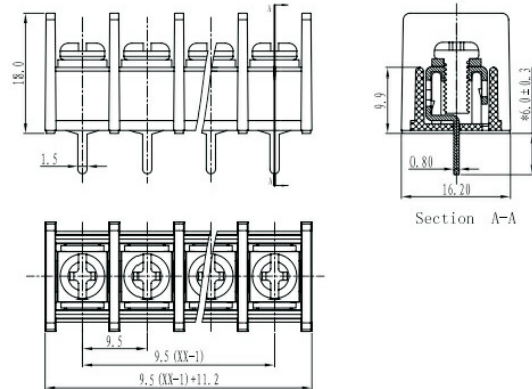
Housing:PA66 UL94V-0,Black  
Pin header:Brass 0.8t,Tin plated  
Screw:M4 Steel Ni Plated

**Electrical**

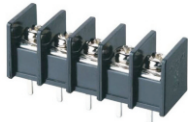
Rated voltage:300V  
Rated current:20A  
Contact resistance: 20mΩ  
Insulation resistance: 500MΩ/DC500V  
Withstanding Voltage: AC2000V/1Min  
Wire range:22-12AWG 2.5mm<sup>2</sup>

**Mechanical**

Temp.Range: -40°C~+105°C  
Torque:1.2Nm (10.6Lb.in)



## CONN BARRIER STRIP 9.5mm



**KLS2-45B-9.50**

**Material**

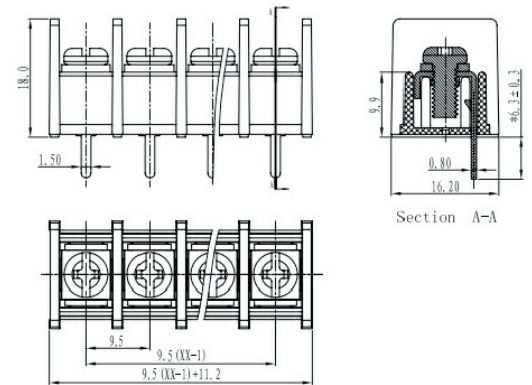
Housing:PA66 UL94V-0,Black  
Pin header:Brass 0.8t,Tin plated  
Screw:M4 Steel Ni Plated

**Electrical**

Rated voltage:300V  
Rated current:20A  
Contact resistance: 20mΩ  
Insulation resistance: 500MΩ/DC500V  
Withstanding Voltage: AC2000V/1Min  
Wire range:22-12AWG 2.5mm<sup>2</sup>

**Mechanical**

Temp.Range: -40°C~+105°C  
Torque:1.2Nm (10.6Lb.in)



## CONN BARRIER STRIP 9.5mm



**KLS2-45C-9.50**

**Material**

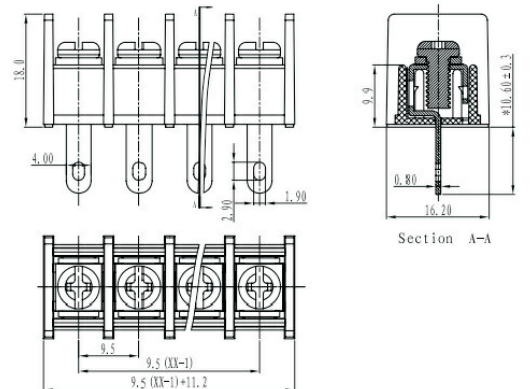
Housing:PA66 UL94V-0,Black  
Pin header:Brass 0.8t,Tin plated  
Screw:M4 Steel Ni Plated

**Electrical**

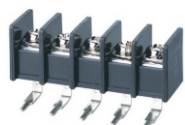
Rated voltage:300V  
Rated current:20A  
Contact resistance: 20mΩ  
Insulation resistance: 500MΩ/DC500V  
Withstanding Voltage: AC2000V/1Min  
Wire range:22-12AWG 2.5mm<sup>2</sup>

**Mechanical**

Temp.Range: -40°C~+105°C  
Torque:1.2Nm (10.6Lb.in)



## CONN BARRIER STRIP 9.5mm



**KLS2-45R-9.50**

**Material**

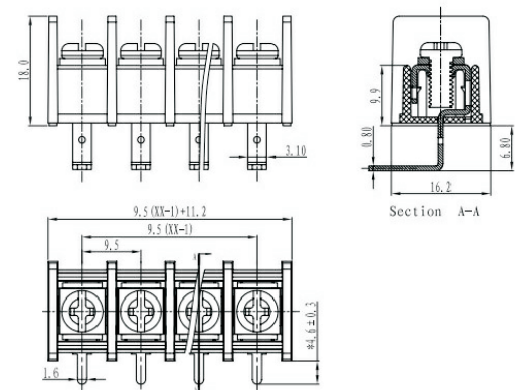
Housing:PA66 UL94V-0,Black  
Pin header:Brass 0.8t,Tin plated  
Screw:M4 Steel Ni Plated

**Electrical**

Rated voltage:300V  
Rated current:20A  
Contact resistance: 20mΩ  
Insulation resistance: 500MΩ/DC500V  
Withstanding Voltage: AC2000V/1Min  
Wire range:22-12AWG 2.5mm<sup>2</sup>

**Mechanical**

Temp.Range: -40°C~+105°C  
Torque:1.2Nm (10.6Lb.in)





## CONN BARRIER STRIP 9.5mm



**KLS2-45A-9.50**

### Material

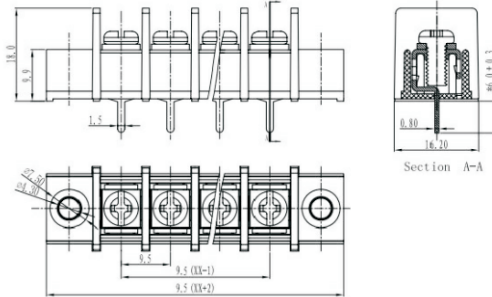
Housing:PA66 UL94V-0,Black  
Pin header:Brass 0.8t,Tin plated  
Screw:M4 Steel Ni Plated

### Electrical

Rated voltage:300V  
Rated current:20A  
Contact resistance: 20mΩ  
Insulation resistance: 500MΩ/DC500V  
Withstanding Voltage: AC2000V/1Min  
Wire range:22-12AWG 2.5mm<sup>2</sup>

### Mechanical

Temp.Range: -40°C~+105°C  
Torque:1.2Nm (10.6Lb.in)



## CONN BARRIER STRIP 9.5mm



**KLS2-45B-9.50**

### Material

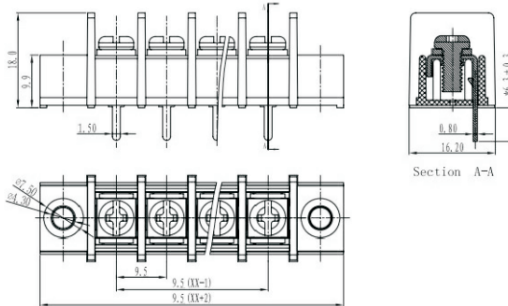
Housing:PA66 UL94V-0,Black  
Pin header:Brass 0.8t,Tin plated  
Screw:M4 Steel Ni Plated

### Electrical

Rated voltage:300V  
Rated current:20A  
Contact resistance: 20mΩ  
Insulation resistance: 500MΩ/DC500V  
Withstanding Voltage: AC2000V/1Min  
Wire range:22-12AWG 2.5mm<sup>2</sup>

### Mechanical

Temp.Range: -40°C~+105°C  
Torque:1.2Nm (10.6Lb.in)



## CONN BARRIER STRIP 9.5mm



**KLS2-45C-9.50**

### Material

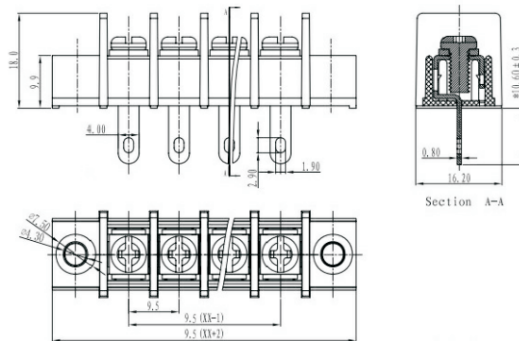
Housing:PA66 UL94V-0,Black  
Pin header:Brass 0.8t,Tin plated  
Screw:M4 Steel Ni Plated

### Electrical

Rated voltage:300V  
Rated current:20A  
Contact resistance: 20mΩ  
Insulation resistance: 500MΩ/DC500V  
Withstanding Voltage: AC2000V/1Min  
Wire range:22-12AWG 2.5mm<sup>2</sup>

### Mechanical

Temp.Range: -40°C~+105°C  
Torque:1.2Nm (10.6Lb.in)



## CONN BARRIER STRIP 9.5mm



**KLS2-45R-9.50**

### Material

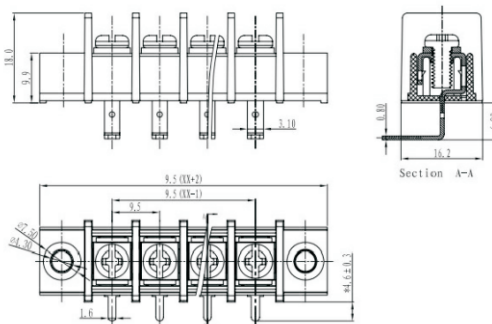
Housing:PA66 UL94V-0,Black  
Pin header:Brass 0.8t,Tin plated  
Screw:M4 Steel Ni Plated

### Electrical

Rated voltage:300V  
Rated current:20A  
Contact resistance: 20mΩ  
Insulation resistance: 500MΩ/DC500V  
Withstanding Voltage: AC2000V/1Min  
Wire range:22-12AWG 2.5mm<sup>2</sup>

### Mechanical

Temp.Range: -40°C~+105°C  
Torque:1.2Nm (10.6Lb.in)



# Barrier Terminal Blocks



**CB RoHS ISO9001:2015**

## CONN BARRIER STRIP 10mm

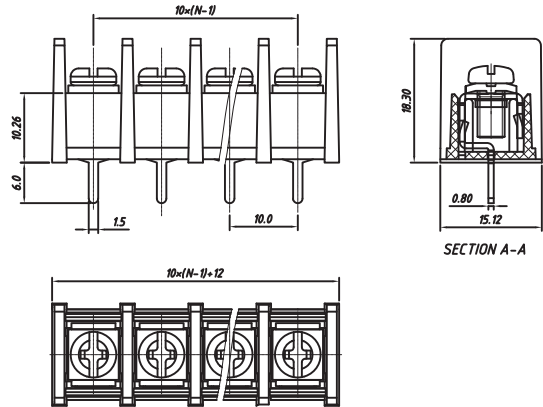


**Material**  
 Housing: PA66 UL94V-0, Black  
 Pin header: Brass 0.8t, Tin plated  
 Screw: M4 Steel Ni Plated

**Electrical**  
 Rated voltage: 300V  
 Rated current: 20A  
 Contact resistance: 20mΩ  
 Insulation resistance: 500MΩ/DC500V  
 Withstanding Voltage: AC2000V/1Min  
 Wire range: 22-12AWG 2.5mm<sup>2</sup>

**Mechanical**  
 Temp. Range: -40°C ~ +105°C  
 Torque: 1.2Nm (10.6Lb.in)

KLS2-55A-10.0



## CONN BARRIER STRIP 10mm

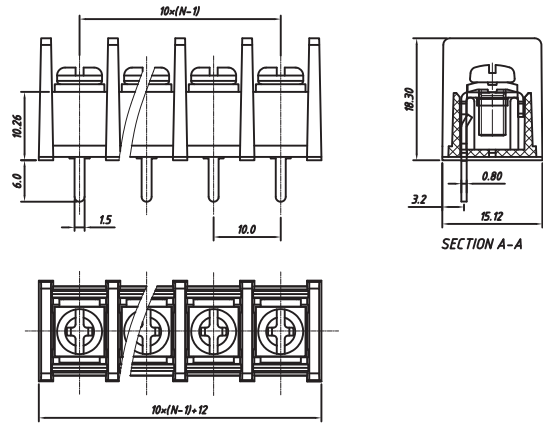


**Material**  
 Housing: PA66 UL94V-0, Black  
 Pin header: Brass 0.8t, Tin plated  
 Screw: M4 Steel Ni Plated

**Electrical**  
 Rated voltage: 300V  
 Rated current: 20A  
 Contact resistance: 20mΩ  
 Insulation resistance: 500MΩ/DC500V  
 Withstanding Voltage: AC2000V/1Min  
 Wire range: 22-12AWG 2.5mm<sup>2</sup>

**Mechanical**  
 Temp. Range: -40°C ~ +105°C  
 Torque: 1.2Nm (10.6Lb.in)

KLS2-55B-10.0



## CONN BARRIER STRIP 10mm

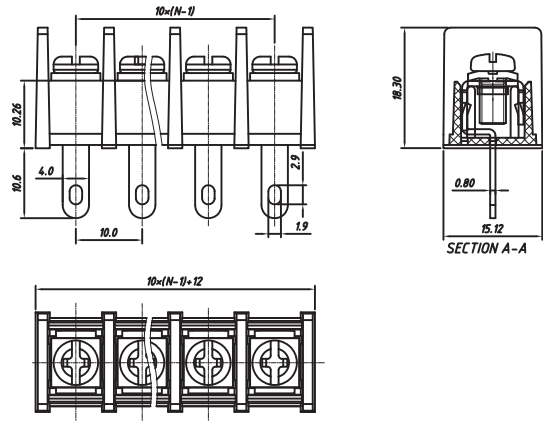


**Material**  
 Housing: PA66 UL94V-0, Black  
 Pin header: Brass 0.8t, Tin plated  
 Screw: M4 Steel Ni Plated

**Electrical**  
 Rated voltage: 300V  
 Rated current: 20A  
 Contact resistance: 20mΩ  
 Insulation resistance: 500MΩ/DC500V  
 Withstanding Voltage: AC2000V/1Min  
 Wire range: 22-12AWG 2.5mm<sup>2</sup>

**Mechanical**  
 Temp. Range: -40°C ~ +105°C  
 Torque: 1.2Nm (10.6Lb.in)

KLS2-55C-10.0



## CONN BARRIER STRIP 10mm

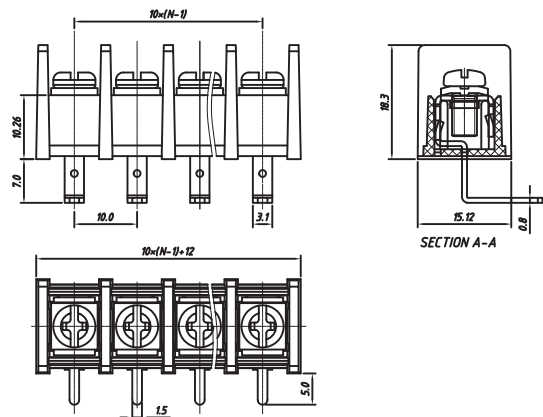


**Material**  
 Housing: PA66 UL94V-0, Black  
 Pin header: Brass 0.8t, Tin plated  
 Screw: M4 Steel Ni Plated

**Electrical**  
 Rated voltage: 300V  
 Rated current: 20A  
 Contact resistance: 20mΩ  
 Insulation resistance: 500MΩ/DC500V  
 Withstanding Voltage: AC2000V/1Min  
 Wire range: 22-12AWG 2.5mm<sup>2</sup>

**Mechanical**  
 Temp. Range: -40°C ~ +105°C  
 Torque: 1.2Nm (10.6Lb.in)

KLS2-55R-10.0



### CONN BARRIER STRIP 10mm

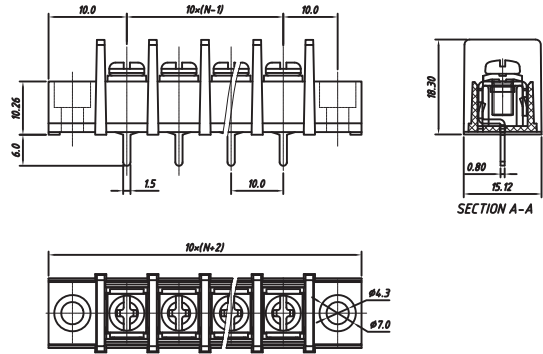


KLS2-55A-10.0

**Material**  
 Housing: PA66 UL94V-0, Black  
 Pin header: Brass 0.8t, Tin plated  
 Screw: M4 Steel Ni Plated

**Electrical**  
 Rated voltage: 300V  
 Rated current: 20A  
 Contact resistance: 20mΩ  
 Insulation resistance: 500MΩ/DC500V  
 Withstanding Voltage: AC2000V/1Min  
 Wire range: 22-12AWG 2.5mm<sup>2</sup>

**Mechanical**  
 Temp. Range: -40°C~+105°C  
 Torque: 1.2Nm (10.6Lb.in)



### CONN BARRIER STRIP 10mm

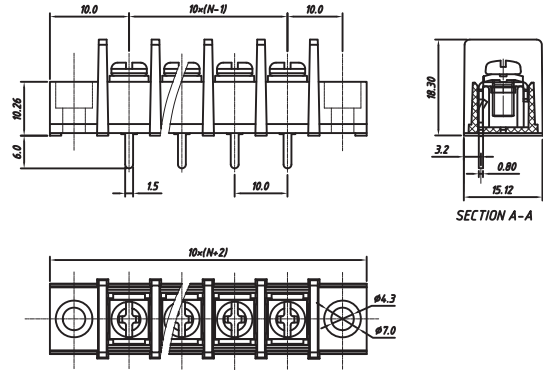


KLS2-55B-10.0

**Material**  
 Housing: PA66 UL94V-0, Black  
 Pin header: Brass 0.8t, Tin plated  
 Screw: M4 Steel Ni Plated

**Electrical**  
 Rated voltage: 300V  
 Rated current: 20A  
 Contact resistance: 20mΩ  
 Insulation resistance: 500MΩ/DC500V  
 Withstanding Voltage: AC2000V/1Min  
 Wire range: 22-12AWG 2.5mm<sup>2</sup>

**Mechanical**  
 Temp. Range: -40°C~+105°C  
 Torque: 1.2Nm (10.6Lb.in)



### CONN BARRIER STRIP 10mm

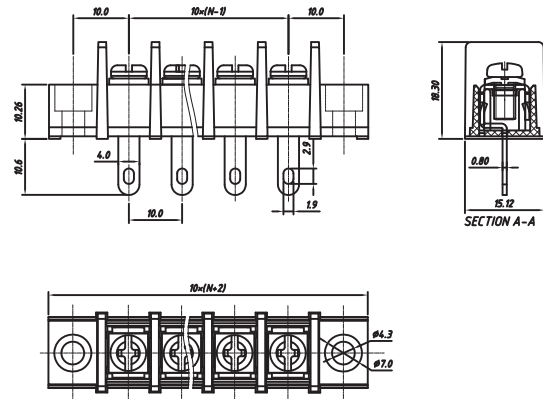


KLS2-55C-10.0

**Material**  
 Housing: PA66 UL94V-0, Black  
 Pin header: Brass 0.8t, Tin plated  
 Screw: M4 Steel Ni Plated

**Electrical**  
 Rated voltage: 300V  
 Rated current: 20A  
 Contact resistance: 20mΩ  
 Insulation resistance: 500MΩ/DC500V  
 Withstanding Voltage: AC2000V/1Min  
 Wire range: 22-12AWG 2.5mm<sup>2</sup>

**Mechanical**  
 Temp. Range: -40°C~+105°C  
 Torque: 1.2Nm (10.6Lb.in)



### CONN BARRIER STRIP 10mm

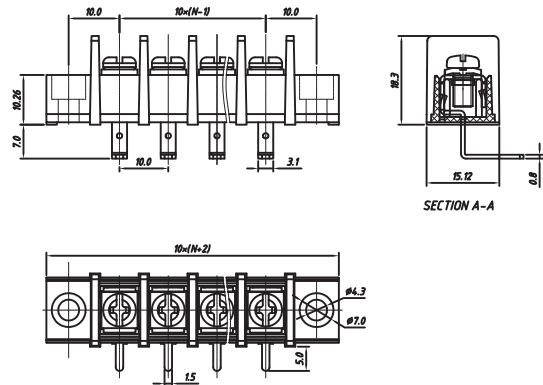


KLS2-55R-10.0

**Material**  
 Housing: PA66 UL94V-0, Black  
 Pin header: Brass 0.8t, Tin plated  
 Screw: M4 Steel Ni Plated

**Electrical**  
 Rated voltage: 300V  
 Rated current: 20A  
 Contact resistance: 20mΩ  
 Insulation resistance: 500MΩ/DC500V  
 Withstanding Voltage: AC2000V/1Min  
 Wire range: 22-12AWG 2.5mm<sup>2</sup>

**Mechanical**  
 Temp. Range: -40°C~+105°C  
 Torque: 1.2Nm (10.6Lb.in)



# Barrier Terminal Blocks





**CB RoHS ISO9001:2015**

## CONN BARRIER STRIP 11mm



**KLS2-65A-11.0**

**Material**

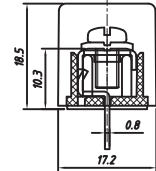
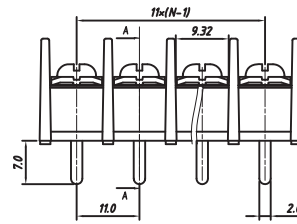
Housing:PA66 UL94V-0,Black  
Pin header:Brass 0.8t,Tin plated  
Screw:M4 Steel Ni Plated

**Electrical**

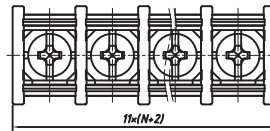
Rated voltage:300V  
Rated current:20A  
Contact resistance: 20mΩ  
Insulation resistance: 500MΩ/DC500V  
Withstanding Voltage: AC2000V/1Min  
Wire range:22-12AWG 2.5mm<sup>2</sup>

**Mechanical**

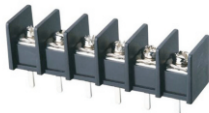
Temp.Range: -40°C~+105°C  
Torque:1.2Nm (10.6Lb.in)



SECTION A-A



## CONN BARRIER STRIP 11mm



**KLS2-65B-11.0**

**Material**

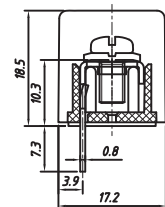
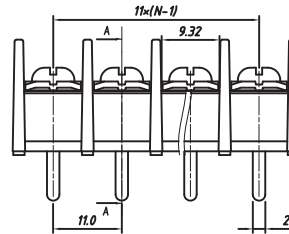
Housing:PA66 UL94V-0,Black  
Pin header:Brass 0.8t,Tin plated  
Screw:M4 Steel Ni Plated

**Electrical**

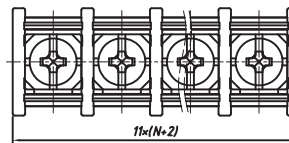
Rated voltage:300V  
Rated current:20A  
Contact resistance: 20mΩ  
Insulation resistance: 500MΩ/DC500V  
Withstanding Voltage: AC2000V/1Min  
Wire range:22-12AWG 2.5mm<sup>2</sup>

**Mechanical**

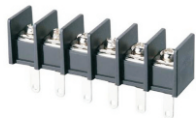
Temp.Range: -40°C~+105°C  
Torque:1.2Nm (10.6Lb.in)



SECTION A-A



## CONN BARRIER STRIP 11mm



**KLS2-65C-11.0**

**Material**

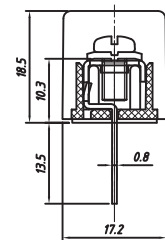
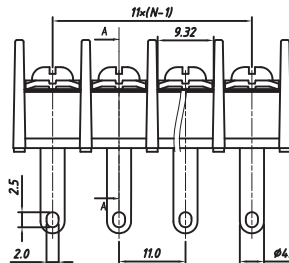
Housing:PA66 UL94V-0,Black  
Pin header:Brass 0.8t,Tin plated  
Screw:M4 Steel Ni Plated

**Electrical**

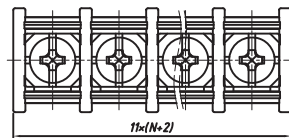
Rated voltage:300V  
Rated current:20A  
Contact resistance: 20mΩ  
Insulation resistance: 500MΩ/DC500V  
Withstanding Voltage: AC2000V/1Min  
Wire range:22-12AWG 2.5mm<sup>2</sup>

**Mechanical**

Temp.Range: -40°C~+105°C  
Torque:1.2Nm (10.6Lb.in)



SECTION A-A



## CONN BARRIER STRIP 11mm



**KLS2-65R-11.0**

**Material**

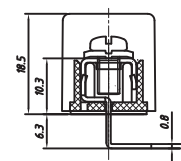
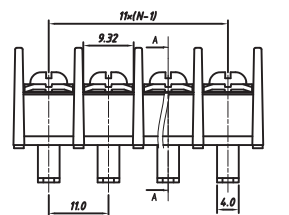
Housing:PA66 UL94V-0,Black  
Pin header:Brass 0.8t,Tin plated  
Screw:M4 Steel Ni Plated

**Electrical**

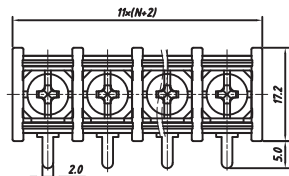
Rated voltage:300V  
Rated current:20A  
Contact resistance: 20mΩ  
Insulation resistance: 500MΩ/DC500V  
Withstanding Voltage: AC2000V/1Min  
Wire range:22-12AWG 2.5mm<sup>2</sup>

**Mechanical**

Temp.Range: -40°C~+105°C  
Torque:1.2Nm (10.6Lb.in)



SECTION A-A



## CONN BARRIER STRIP 11mm



**KLS2-65A-11.0**

**Material**

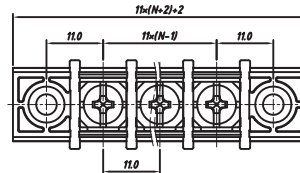
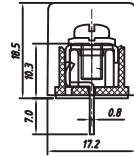
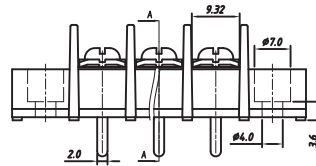
Housing:PA66 UL94V-0,Black  
Pin header:Brass 0.8t,Tin plated  
Screw:M4 Steel Ni Plated

**Electrical**

Rated voltage:300V  
Rated current:20A  
Contact resistance: 20mΩ  
Insulation resistance: 500MΩ/DC500V  
Withstanding Voltage: AC2000V/1Min  
Wire range:22-12AWG 2.5mm<sup>2</sup>

**Mechanical**

Temp.Range: -40°C~+105°C  
Torque:1.2Nm (10.6Lb.in)



## CONN BARRIER STRIP 11mm



**KLS2-65B-11.0**

**Material**

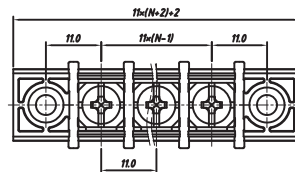
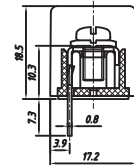
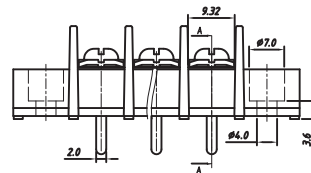
Housing:PA66 UL94V-0,Black  
Pin header:Brass 0.8t,Tin plated  
Screw:M4 Steel Ni Plated

**Electrical**

Rated voltage:300V  
Rated current:20A  
Contact resistance: 20mΩ  
Insulation resistance: 500MΩ/DC500V  
Withstanding Voltage: AC2000V/1Min  
Wire range:22-12AWG 2.5mm<sup>2</sup>

**Mechanical**

Temp.Range: -40°C~+105°C  
Torque:1.2Nm (10.6Lb.in)



## CONN BARRIER STRIP 11mm



**KLS2-65C-11.0**

**Material**

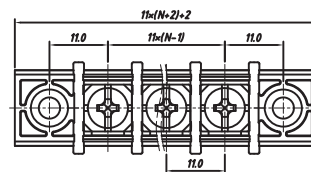
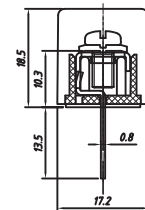
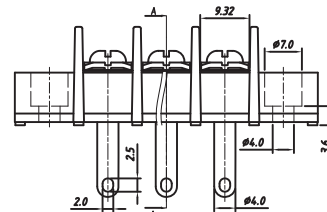
Housing:PA66 UL94V-0,Black  
Pin header:Brass 0.8t,Tin plated  
Screw:M4 Steel Ni Plated

**Electrical**

Rated voltage:300V  
Rated current:20A  
Contact resistance: 20mΩ  
Insulation resistance: 500MΩ/DC500V  
Withstanding Voltage: AC2000V/1Min  
Wire range:22-12AWG 2.5mm<sup>2</sup>

**Mechanical**

Temp.Range: -40°C~+105°C  
Torque:1.2Nm (10.6Lb.in)



## CONN BARRIER STRIP 11mm



**KLS2-65R-11.0**

**Material**

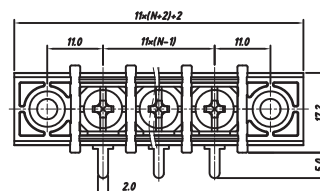
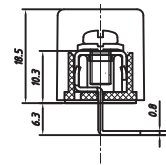
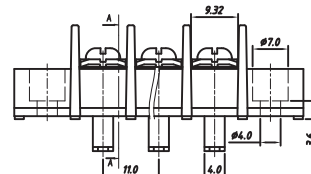
Housing:PA66 UL94V-0,Black  
Pin header:Brass 0.8t,Tin plated  
Screw:M4 Steel Ni Plated

**Electrical**

Rated voltage:300V  
Rated current:20A  
Contact resistance: 20mΩ  
Insulation resistance: 500MΩ/DC500V  
Withstanding Voltage: AC2000V/1Min  
Wire range:22-12AWG 2.5mm<sup>2</sup>

**Mechanical**

Temp.Range: -40°C~+105°C  
Torque:1.2Nm (10.6Lb.in)

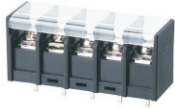




# Barrier Terminal Blocks

**CB RoHS ISO9001:2015**

## CONN BARRIER STRIP 7.62mm

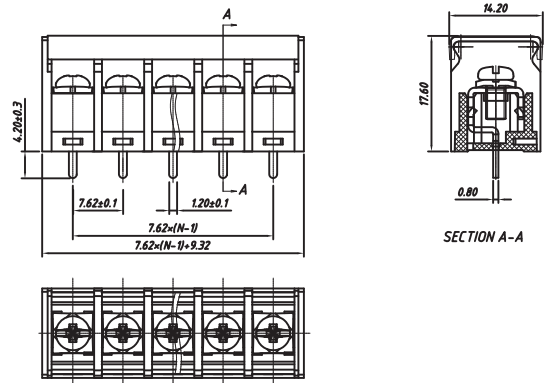


**KLS2-48A-7.62**

**Material**  
 Housing:PA66 UL94V-0,Black  
 Pin header:Brass 0.8t,Tin plated  
 Screw:M3 Steel Ni Plated

**Electrical**  
 Rated voltage:300V  
 Rated current:15A  
 Contact resistance: 20mΩ  
 Insulation resistance: 500MΩ/DC500V  
 Withstanding Voltage: AC2000V/1Min  
 Wire range:22-14AWG 1.5mm<sup>2</sup>

**Mechanical**  
 Temp.Range: -40°C~+105°C  
 Torque:0.5Nm (4.5Lb.in)



## CONN BARRIER STRIP 7.62mm

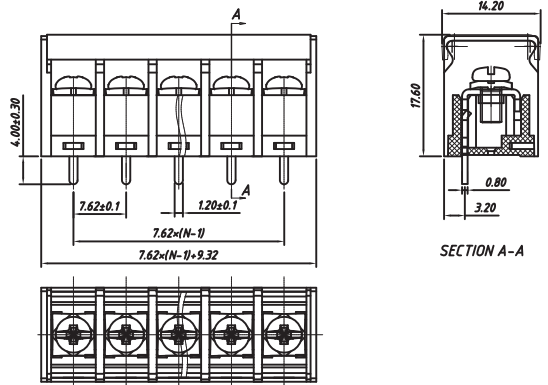


**KLS2-48B-7.62**

**Material**  
 Housing:PA66 UL94V-0,Black  
 Pin header:Brass 0.8t,Tin plated  
 Screw:M3 Steel Ni Plated

**Electrical**  
 Rated voltage:300V  
 Rated current:15A  
 Contact resistance: 20mΩ  
 Insulation resistance: 500MΩ/DC500V  
 Withstanding Voltage: AC2000V/1Min  
 Wire range:22-14AWG 1.5mm<sup>2</sup>

**Mechanical**  
 Temp.Range: -40°C~+105°C  
 Torque:0.5Nm (4.5Lb.in)



## CONN BARRIER STRIP 7.62mm

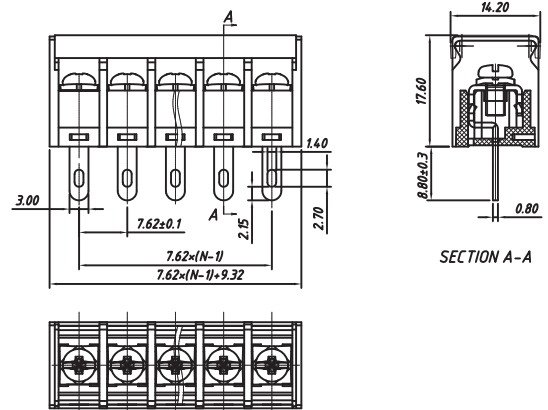


**KLS2-48C-7.62**

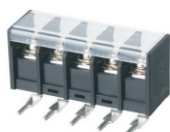
**Material**  
 Housing:PA66 UL94V-0,Black  
 Pin header:Brass 0.8t,Tin plated  
 Screw:M3 Steel Ni Plated

**Electrical**  
 Rated voltage:300V  
 Rated current:15A  
 Contact resistance: 20mΩ  
 Insulation resistance: 500MΩ/DC500V  
 Withstanding Voltage: AC2000V/1Min  
 Wire range:22-14AWG 1.5mm<sup>2</sup>

**Mechanical**  
 Temp.Range: -40°C~+105°C  
 Torque:0.5Nm (4.5Lb.in)



## CONN BARRIER STRIP 7.62mm

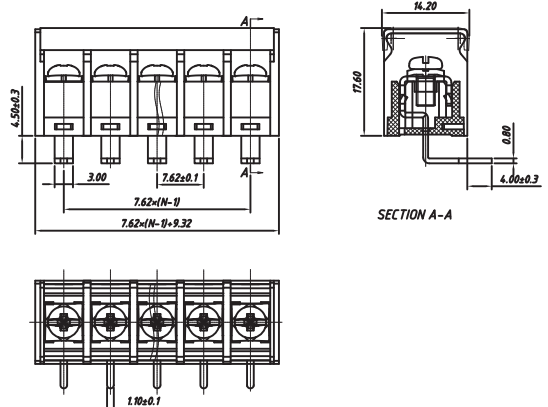


**KLS2-48R-7.62**

**Material**  
 Housing:PA66 UL94V-0,Black  
 Pin header:Brass 0.8t,Tin plated  
 Screw:M3 Steel Ni Plated

**Electrical**  
 Rated voltage:300V  
 Rated current:15A  
 Contact resistance: 20mΩ  
 Insulation resistance: 500MΩ/DC500V  
 Withstanding Voltage: AC2000V/1Min  
 Wire range:22-14AWG 1.5mm<sup>2</sup>

**Mechanical**  
 Temp.Range: -40°C~+105°C  
 Torque:0.5Nm (4.5Lb.in)



## CONN BARRIER STRIP 7.62mm



**KLS2-48A-7.62**

**Material**

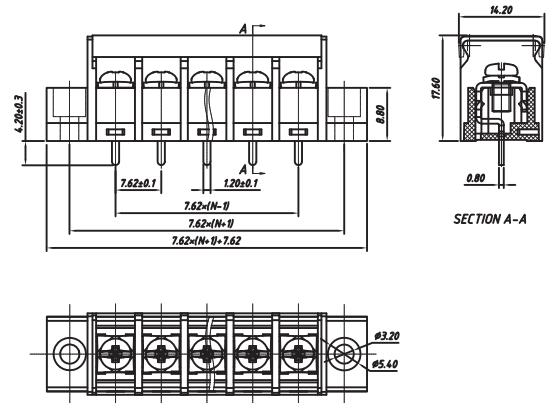
Housing:PA66 UL94V-0,Black  
Pin header:Brass 0.8t, Tin plated  
Screw:M3 Steel Ni Plated

**Electrical**

Rated voltage:300V  
Rated current:15A  
Contact resistance: 20mΩ  
Insulation resistance: 500MΩ/DC500V  
Withstanding Voltage: AC2000V/1Min  
Wire range:22-14AWG 1.5mm<sup>2</sup>

**Mechanical**

Temp.Range: -40°C~+105°C  
Torque:0.5Nm (4.5Lb.in)



## CONN BARRIER STRIP 7.62mm



**KLS2-48B-7.62**

**Material**

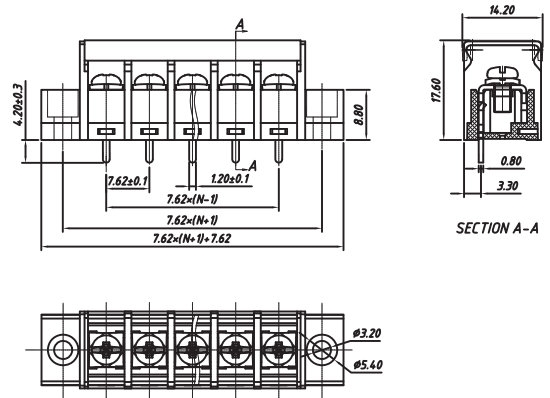
Housing:PA66 UL94V-0,Black  
Pin header:Brass 0.8t, Tin plated  
Screw:M3 Steel Ni Plated

**Electrical**

Rated voltage:300V  
Rated current:15A  
Contact resistance: 20mΩ  
Insulation resistance: 500MΩ/DC500V  
Withstanding Voltage: AC2000V/1Min  
Wire range:22-14AWG 1.5mm<sup>2</sup>

**Mechanical**

Temp.Range: -40°C~+105°C  
Torque:0.5Nm (4.5Lb.in)



## CONN BARRIER STRIP 7.62mm



**KLS2-48C-7.62**

**Material**

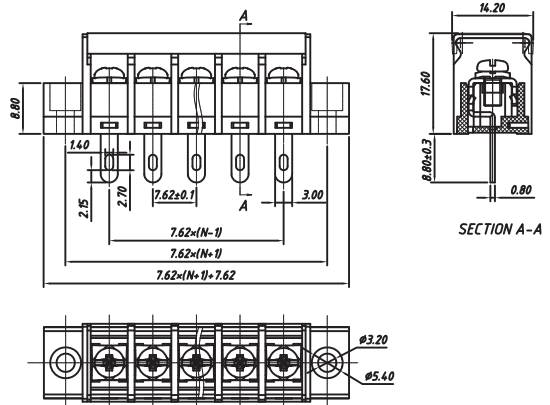
Housing:PA66 UL94V-0,Black  
Pin header:Brass 0.8t, Tin plated  
Screw:M3 Steel Ni Plated

**Electrical**

Rated voltage:300V  
Rated current:15A  
Contact resistance: 20mΩ  
Insulation resistance: 500MΩ/DC500V  
Withstanding Voltage: AC2000V/1Min  
Wire range:22-14AWG 1.5mm<sup>2</sup>

**Mechanical**

Temp.Range: -40°C~+105°C  
Torque:0.5Nm (4.5Lb.in)



## CONN BARRIER STRIP 7.62mm



**KLS2-48R-7.62**

**Material**

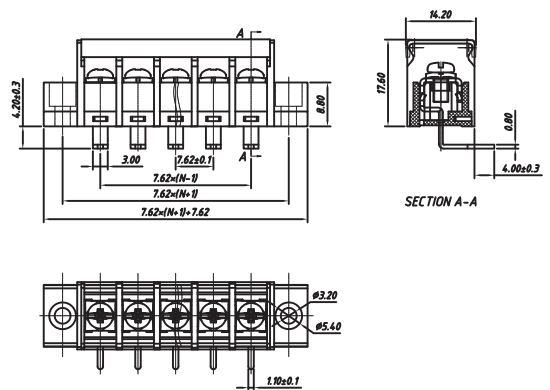
Housing:PA66 UL94V-0,Black  
Pin header:Brass 0.8t, Tin plated  
Screw:M3 Steel Ni Plated

**Electrical**

Rated voltage:300V  
Rated current:15A  
Contact resistance: 20mΩ  
Insulation resistance: 500MΩ/DC500V  
Withstanding Voltage: AC2000V/1Min  
Wire range:22-14AWG 1.5mm<sup>2</sup>

**Mechanical**

Temp.Range: -40°C~+105°C  
Torque:0.5Nm (4.5Lb.in)



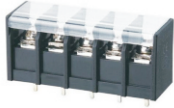
# Barrier Terminal Blocks





**CB RoHS ISO9001:2015**

## CONN BARRIER STRIP 8.25mm

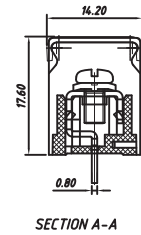
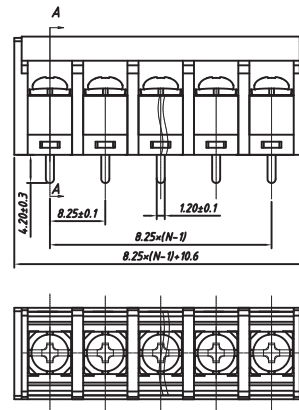


**Material**  
 Housing:PA66 UL94V-0,Black  
 Pin header:Brass 0.8t,Tin plated  
 Screw:M3 Steel Ni Plated

**Electrical**  
 Rated voltage:300V  
 Rated current:15A  
 Contact resistance: 20mΩ  
 Insulation resistance: 500MΩ/DC500V  
 Withstanding Voltage: AC2000V/1Min  
 Wire range:22-14AWG 2.5mm<sup>2</sup>

**KLS2-48A-8.25**

**Mechanical**  
 Temp.Range: -40°C~+105°C  
 Torque:0.5Nm (4.5Lb.in)



## CONN BARRIER STRIP 8.25mm

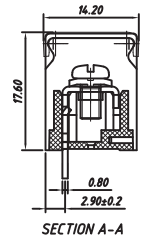
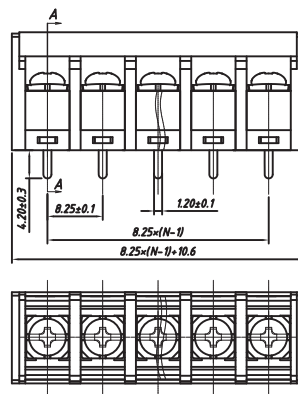


**Material**  
 Housing:PA66 UL94V-0,Black  
 Pin header:Brass 0.8t,Tin plated  
 Screw:M3 Steel Ni Plated

**Electrical**  
 Rated voltage:300V  
 Rated current:15A  
 Contact resistance: 20mΩ  
 Insulation resistance: 500MΩ/DC500V  
 Withstanding Voltage: AC2000V/1Min  
 Wire range:22-14AWG 2.5mm<sup>2</sup>

**KLS2-48B-8.25**

**Mechanical**  
 Temp.Range: -40°C~+105°C  
 Torque:0.5Nm (4.5Lb.in)



## CONN BARRIER STRIP 8.25mm

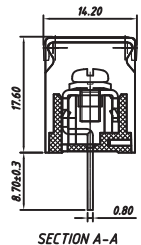
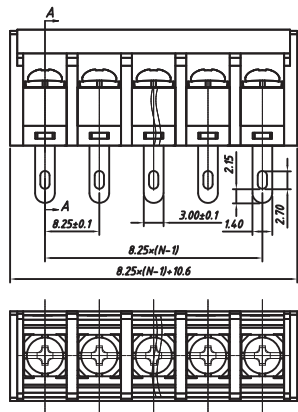


**Material**  
 Housing:PA66 UL94V-0,Black  
 Pin header:Brass 0.8t,Tin plated  
 Screw:M3 Steel Ni Plated

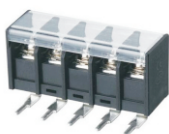
**Electrical**  
 Rated voltage:300V  
 Rated current:15A  
 Contact resistance: 20mΩ  
 Insulation resistance: 500MΩ/DC500V  
 Withstanding Voltage: AC2000V/1Min  
 Wire range:22-14AWG 2.5mm<sup>2</sup>

**KLS2-48C-8.25**

**Mechanical**  
 Temp.Range: -40°C~+105°C  
 Torque:0.5Nm (4.5Lb.in)



## CONN BARRIER STRIP 8.25mm

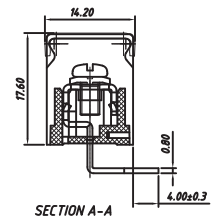
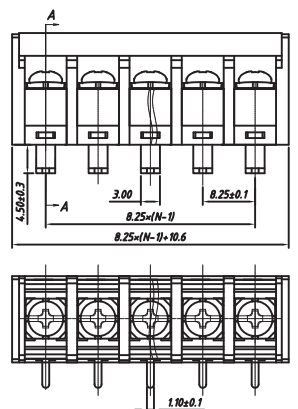


**Material**  
 Housing:PA66 UL94V-0,Black  
 Pin header:Brass 0.8t,Tin plated  
 Screw:M3 Steel Ni Plated

**Electrical**  
 Rated voltage:300V  
 Rated current:15A  
 Contact resistance: 20mΩ  
 Insulation resistance: 500MΩ/DC500V  
 Withstanding Voltage: AC2000V/1Min  
 Wire range:22-14AWG 2.5mm<sup>2</sup>

**KLS2-48R-8.25**

**Mechanical**  
 Temp.Range: -40°C~+105°C  
 Torque:0.5Nm (4.5Lb.in)



## CONN BARRIER STRIP 8.25mm

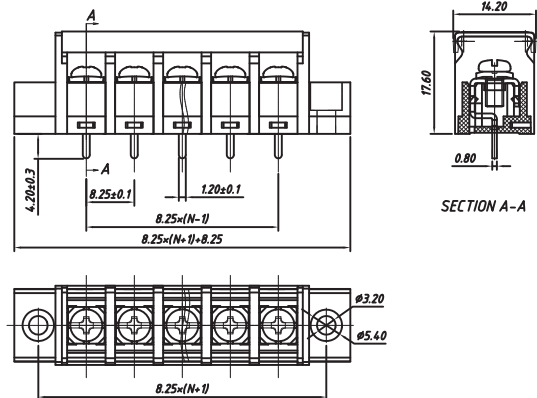


**Material**  
 Housing:PA66 UL94V-0,Black  
 Pin header:Brass 0.8t,Tin plated  
 Screw:M3 Steel Ni Plated

**Electrical**  
 Rated voltage:300V  
 Rated current:15A  
 Contact resistance: 20mΩ  
 Insulation resistance: 500MΩ/DC500V  
 Withstanding Voltage: AC2000V/1Min  
 Wire range:22-14AWG 2.5mm<sup>2</sup>

**KLS2-48A-8.25**

**Mechanical**  
 Temp.Range: -40°C~+105°C  
 Torque:0.5Nm (4.5Lb.in)



## CONN BARRIER STRIP 8.25mm

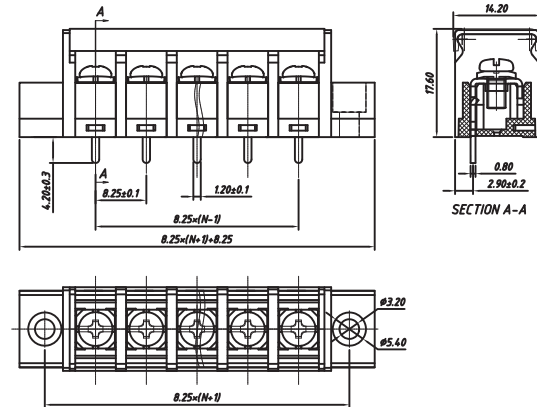


**Material**  
 Housing:PA66 UL94V-0,Black  
 Pin header:Brass 0.8t,Tin plated  
 Screw:M3 Steel Ni Plated

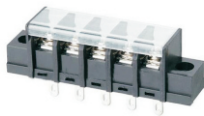
**Electrical**  
 Rated voltage:300V  
 Rated current:15A  
 Contact resistance: 20mΩ  
 Insulation resistance: 500MΩ/DC500V  
 Withstanding Voltage: AC2000V/1Min  
 Wire range:22-14AWG 2.5mm<sup>2</sup>

**KLS2-48B-8.25**

**Mechanical**  
 Temp.Range: -40°C~+105°C  
 Torque:0.5Nm (4.5Lb.in)



## CONN BARRIER STRIP 8.25mm

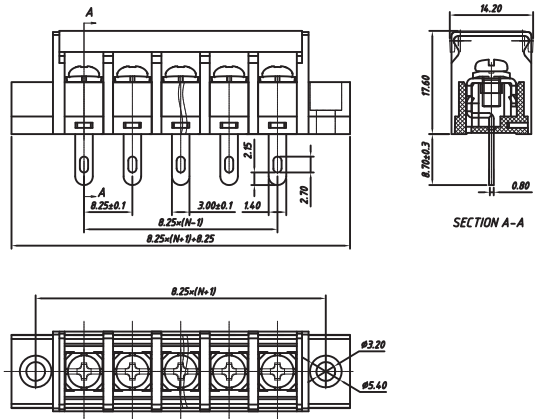


**Material**  
 Housing:PA66 UL94V-0,Black  
 Pin header:Brass 0.8t,Tin plated  
 Screw:M3 Steel Ni Plated

**Electrical**  
 Rated voltage:300V  
 Rated current:15A  
 Contact resistance: 20mΩ  
 Insulation resistance: 500MΩ/DC500V  
 Withstanding Voltage: AC2000V/1Min  
 Wire range:22-14AWG 2.5mm<sup>2</sup>

**KLS2-48C-8.25**

**Mechanical**  
 Temp.Range: -40°C~+105°C  
 Torque:0.5Nm (4.5Lb.in)



## CONN BARRIER STRIP 8.25mm

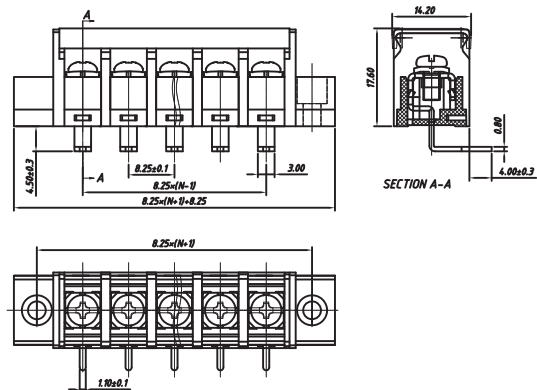


**Material**  
 Housing:PA66 UL94V-0,Black  
 Pin header:Brass 0.8t,Tin plated  
 Screw:M3 Steel Ni Plated

**Electrical**  
 Rated voltage:300V  
 Rated current:15A  
 Contact resistance: 20mΩ  
 Insulation resistance: 500MΩ/DC500V  
 Withstanding Voltage: AC2000V/1Min  
 Wire range:22-14AWG 2.5mm<sup>2</sup>

**KLS2-48R-8.25**

**Mechanical**  
 Temp.Range: -40°C~+105°C  
 Torque:0.5Nm (4.5Lb.in)



# Barrier Terminal Blocks





**CB RoHS ISO9001:2015**

## CONN BARRIER STRIP 9.5mm



**KLS2-48A-9.50**

### Material

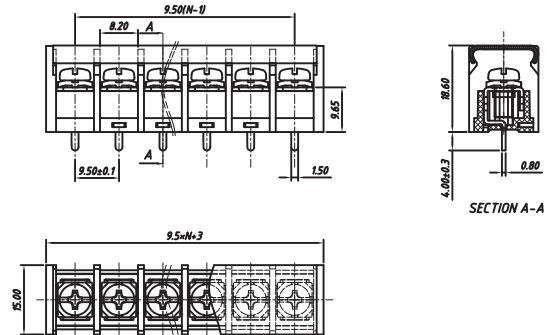
Housing: PA66 UL94V-0, Black  
Pin header: Brass 0.8t, Tin plated  
Screw: M4 Steel Ni Plated

### Electrical

Rated voltage: 300V  
Rated current: 20A  
Contact resistance: 20mΩ  
Insulation resistance: 500MΩ/DC500V  
Withstanding Voltage: AC2000V/1Min  
Wire range: 22-12AWG 4mm<sup>2</sup>

### Mechanical

Temp. Range: -40°C~+105°C  
Torque: 1.2Nm (10.6Lb.in)



## CONN BARRIER STRIP 9.5mm



**KLS2-48B-9.50**

### Material

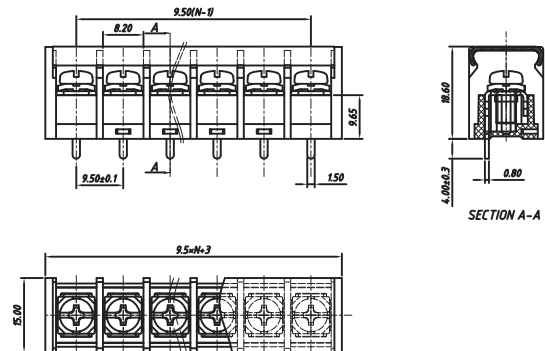
Housing: PA66 UL94V-0, Black  
Pin header: Brass 0.8t, Tin plated  
Screw: M4 Steel Ni Plated

### Electrical

Rated voltage: 300V  
Rated current: 20A  
Contact resistance: 20mΩ  
Insulation resistance: 500MΩ/DC500V  
Withstanding Voltage: AC2000V/1Min  
Wire range: 22-12AWG 4mm<sup>2</sup>

### Mechanical

Temp. Range: -40°C~+105°C  
Torque: 1.2Nm (10.6Lb.in)



## CONN BARRIER STRIP 9.5mm



**KLS2-48C-9.50**

### Material

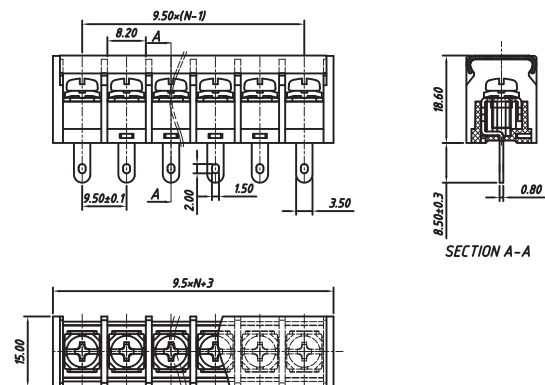
Housing: PA66 UL94V-0, Black  
Pin header: Brass 0.8t, Tin plated  
Screw: M4 Steel Ni Plated

### Electrical

Rated voltage: 300V  
Rated current: 20A  
Contact resistance: 20mΩ  
Insulation resistance: 500MΩ/DC500V  
Withstanding Voltage: AC2000V/1Min  
Wire range: 22-12AWG 4mm<sup>2</sup>

### Mechanical

Temp. Range: -40°C~+105°C  
Torque: 1.2Nm (10.6Lb.in)



## CONN BARRIER STRIP 9.5mm



**KLS2-48R-9.50**

### Material

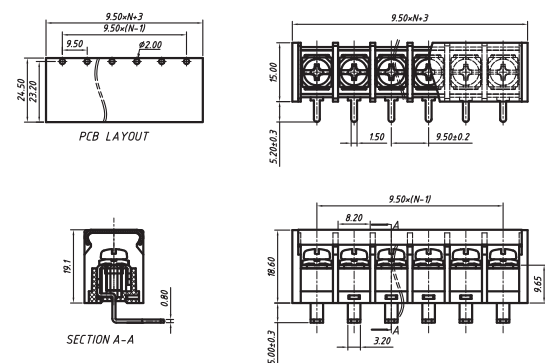
Housing: PA66 UL94V-0, Black  
Pin header: Brass 0.8t, Tin plated  
Screw: M4 Steel Ni Plated

### Electrical

Rated voltage: 300V  
Rated current: 20A  
Contact resistance: 20mΩ  
Insulation resistance: 500MΩ/DC500V  
Withstanding Voltage: AC2000V/1Min  
Wire range: 22-12AWG 4mm<sup>2</sup>

### Mechanical

Temp. Range: -40°C~+105°C  
Torque: 1.2Nm (10.6Lb.in)





## CONN BARRIER STRIP 9.5mm



KLS2-48A-9.50

### Material

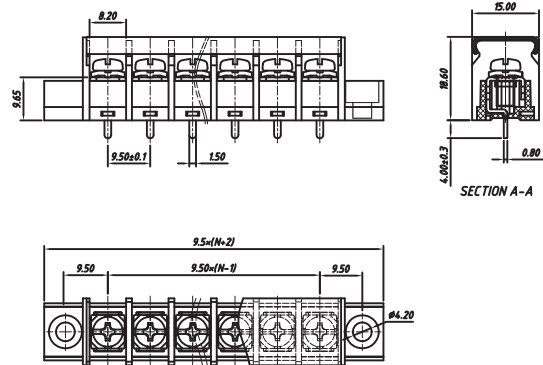
Housing:PA66 UL94V-0,Black  
Pin header:Brass 0.8t,Tin plated  
Screw:M4 Steel Ni Plated

### Electrical

Rated voltage:300V  
Rated current:20A  
Contact resistance: 20mΩ  
Insulation resistance: 500MΩ/DC500V  
Withstanding Voltage: AC2000V/1Min  
Wire range:22-12AWG 4mm<sup>2</sup>

### Mechanical

Temp.Range: -40°C~+105°C  
Torque:1.2Nm (10.6Lb.in)



## CONN BARRIER STRIP 9.5mm



KLS2-48B-9.50

### Material

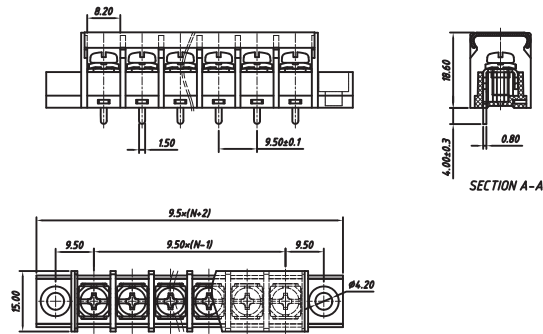
Housing:PA66 UL94V-0,Black  
Pin header:Brass 0.8t,Tin plated  
Screw:M4 Steel Ni Plated

### Electrical

Rated voltage:300V  
Rated current:20A  
Contact resistance: 20mΩ  
Insulation resistance: 500MΩ/DC500V  
Withstanding Voltage: AC2000V/1Min  
Wire range:22-12AWG 4mm<sup>2</sup>

### Mechanical

Temp.Range: -40°C~+105°C  
Torque:1.2Nm (10.6Lb.in)



## CONN BARRIER STRIP 9.5mm



KLS2-48C-9.50

### Material

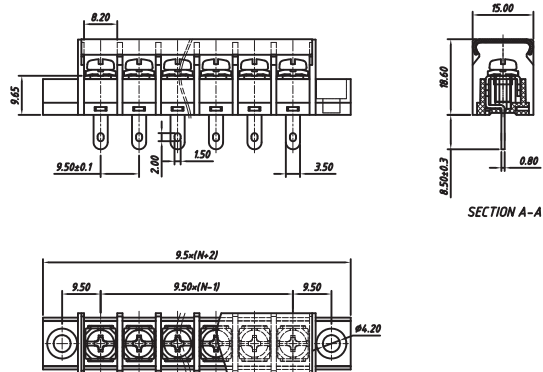
Housing:PA66 UL94V-0,Black  
Pin header:Brass 0.8t,Tin plated  
Screw:M4 Steel Ni Plated

### Electrical

Rated voltage:300V  
Rated current:20A  
Contact resistance: 20mΩ  
Insulation resistance: 500MΩ/DC500V  
Withstanding Voltage: AC2000V/1Min  
Wire range:22-12AWG 4mm<sup>2</sup>

### Mechanical

Temp.Range: -40°C~+105°C  
Torque:1.2Nm (10.6Lb.in)



## CONN BARRIER STRIP 9.5mm



KLS2-48R-9.50

### Material

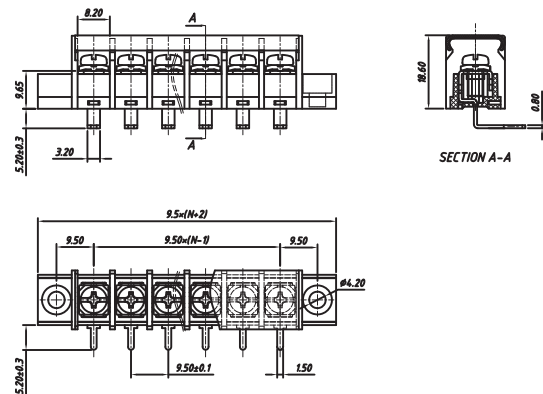
Housing:PA66 UL94V-0,Black  
Pin header:Brass 0.8t,Tin plated  
Screw:M4 Steel Ni Plated

### Electrical

Rated voltage:300V  
Rated current:20A  
Contact resistance: 20mΩ  
Insulation resistance: 500MΩ/DC500V  
Withstanding Voltage: AC2000V/1Min  
Wire range:22-12AWG 4mm<sup>2</sup>

### Mechanical

Temp.Range: -40°C~+105°C  
Torque:1.2Nm (10.6Lb.in)



# Barrier Terminal Blocks


**CB RoHS ISO9001:2015**

## CONN BARRIER STRIP 10mm



**KLS2-48A-10.0**

### Material

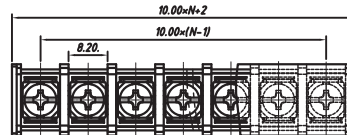
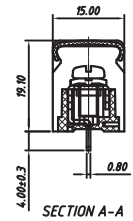
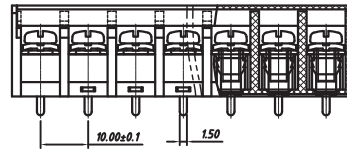
Housing: PA66 UL94V-0, Black  
Pin header: Brass 0.8t, Tin plated  
Screw: M4 Steel Ni Plated

### Electrical

Rated voltage: 300V  
Rated current: 20A  
Contact resistance: 20mΩ  
Insulation resistance: 500MΩ/DC500V  
Withstanding Voltage: AC2000V/1Min  
Wire range: 22-12AWG 4mm<sup>2</sup>

### Mechanical

Temp. Range: -40°C~+105°C  
Torque: 1.2Nm (10.6Lb.in)



## CONN BARRIER STRIP 10mm



**KLS2-48B-10.0**

### Material

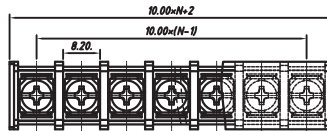
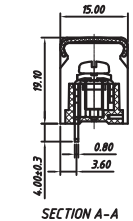
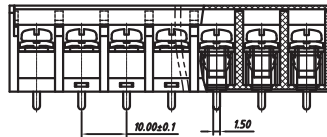
Housing: PA66 UL94V-0, Black  
Pin header: Brass 0.8t, Tin plated  
Screw: M4 Steel Ni Plated

### Electrical

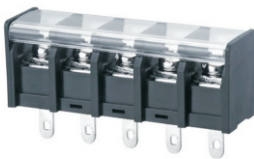
Rated voltage: 300V  
Rated current: 20A  
Contact resistance: 20mΩ  
Insulation resistance: 500MΩ/DC500V  
Withstanding Voltage: AC2000V/1Min  
Wire range: 22-12AWG 4mm<sup>2</sup>

### Mechanical

Temp. Range: -40°C~+105°C  
Torque: 1.2Nm (10.6Lb.in)



## CONN BARRIER STRIP 10mm



**KLS2-48C-10.0**

### Material

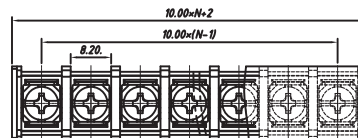
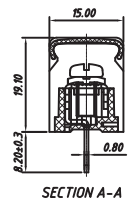
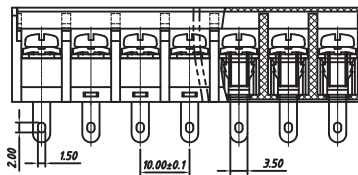
Housing: PA66 UL94V-0, Black  
Pin header: Brass 0.8t, Tin plated  
Screw: M4 Steel Ni Plated

### Electrical

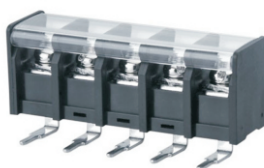
Rated voltage: 300V  
Rated current: 20A  
Contact resistance: 20mΩ  
Insulation resistance: 500MΩ/DC500V  
Withstanding Voltage: AC2000V/1Min  
Wire range: 22-12AWG 4mm<sup>2</sup>

### Mechanical

Temp. Range: -40°C~+105°C  
Torque: 1.2Nm (10.6Lb.in)



## CONN BARRIER STRIP 10mm



**KLS2-48R-10.0**

### Material

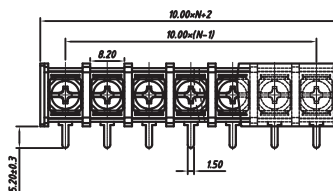
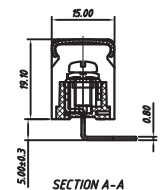
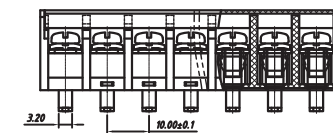
Housing: PA66 UL94V-0, Black  
Pin header: Brass 0.8t, Tin plated  
Screw: M4 Steel Ni Plated

### Electrical

Rated voltage: 300V  
Rated current: 20A  
Contact resistance: 20mΩ  
Insulation resistance: 500MΩ/DC500V  
Withstanding Voltage: AC2000V/1Min  
Wire range: 22-12AWG 4mm<sup>2</sup>

### Mechanical

Temp. Range: -40°C~+105°C  
Torque: 1.2Nm (10.6Lb.in)



## CONN BARRIER STRIP 10mm



**KLS2-48A-10.0**

### Material

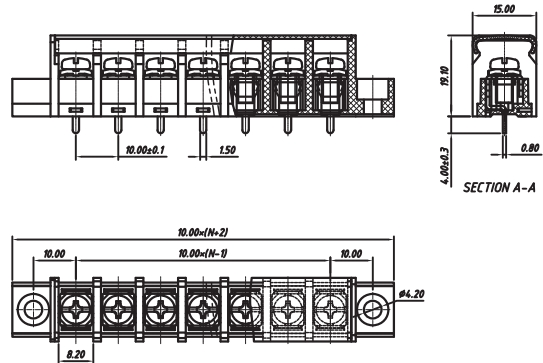
Housing:PA66 UL94V-0,Black  
Pin header:Brass 0.8t,Tin plated  
Screw:M4 Steel Ni Plated

### Electrical

Rated voltage:300V  
Rated current:20A  
Contact resistance: 20mΩ  
Insulation resistance: 500MΩ/DC500V  
Withstanding Voltage: AC2000V/1Min  
Wire range:22-12AWG 4mm<sup>2</sup>

### Mechanical

Temp.Range: -40°C~+105°C  
Torque:1.2Nm (10.6Lb.in)



## CONN BARRIER STRIP 10mm



**KLS2-48B-10.0**

### Material

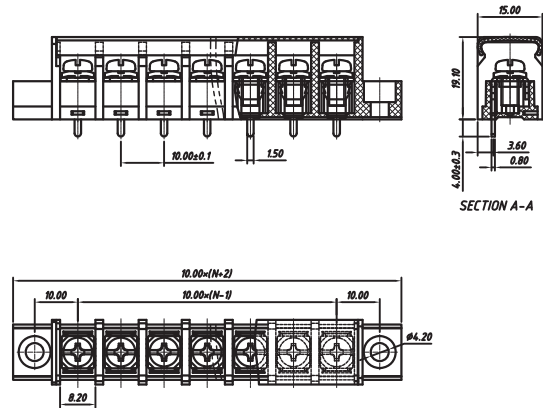
Housing:PA66 UL94V-0,Black  
Pin header:Brass 0.8t,Tin plated  
Screw:M4 Steel Ni Plated

### Electrical

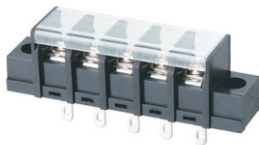
Rated voltage:300V  
Rated current:20A  
Contact resistance: 20mΩ  
Insulation resistance: 500MΩ/DC500V  
Withstanding Voltage: AC2000V/1Min  
Wire range:22-12AWG 4mm<sup>2</sup>

### Mechanical

Temp.Range: -40°C~+105°C  
Torque:1.2Nm (10.6Lb.in)



## CONN BARRIER STRIP 10mm



**KLS2-48C-10.0**

### Material

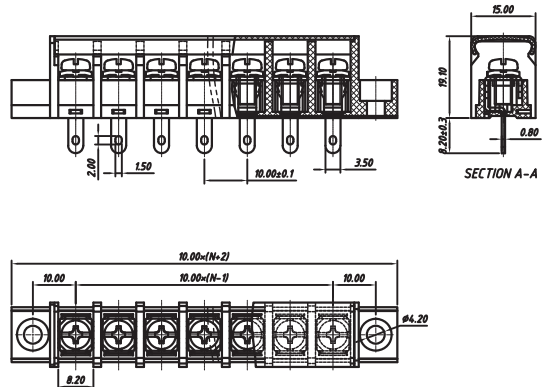
Housing:PA66 UL94V-0,Black  
Pin header:Brass 0.8t,Tin plated  
Screw:M4 Steel Ni Plated

### Electrical

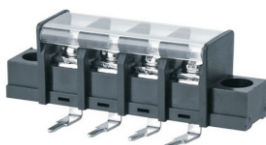
Rated voltage:300V  
Rated current:20A  
Contact resistance: 20mΩ  
Insulation resistance: 500MΩ/DC500V  
Withstanding Voltage: AC2000V/1Min  
Wire range:22-12AWG 4mm<sup>2</sup>

### Mechanical

Temp.Range: -40°C~+105°C  
Torque:1.2Nm (10.6Lb.in)



## CONN BARRIER STRIP 10mm



**KLS2-48R-10.0**

### Material

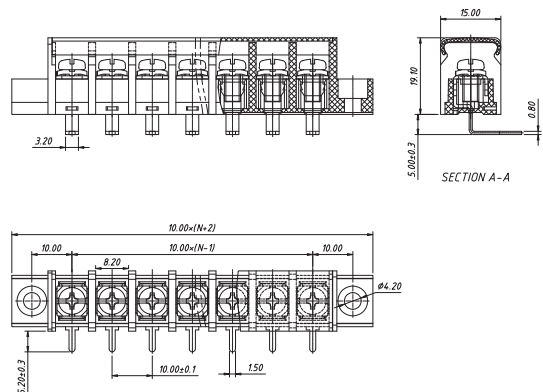
Housing:PA66 UL94V-0,Black  
Pin header:Brass 0.8t,Tin plated  
Screw:M4 Steel Ni Plated

### Electrical

Rated voltage:300V  
Rated current:20A  
Contact resistance: 20mΩ  
Insulation resistance: 500MΩ/DC500V  
Withstanding Voltage: AC2000V/1Min  
Wire range:22-12AWG 4mm<sup>2</sup>

### Mechanical

Temp.Range: -40°C~+105°C  
Torque:1.2Nm (10.6Lb.in)



# Barrier Terminal Blocks

**CB RoHS ISO9001:2015**

## CONN BARRIER STRIP 11mm

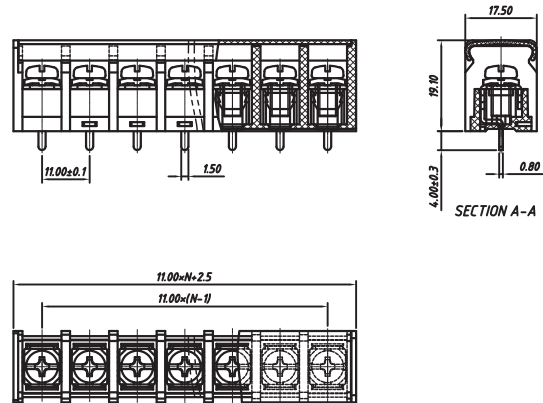


**KLS2-48A-11.0**

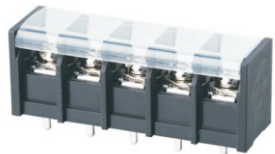
**Material**  
 Housing:PA66 UL94V-0,Black  
 Pin header:Brass 0.8t,Tin plated  
 Screw:M4 Steel Ni Plated

**Electrical**  
 Rated voltage:300V  
 Rated current:20A  
 Contact resistance: 20mΩ  
 Insulation resistance: 500MΩ/DC500V  
 Withstanding Voltage: AC2000V/1Min  
 Wire range:22-12AWG 4mm<sup>2</sup>

**Mechanical**  
 Temp.Range: -40°C~+105°C  
 Torque:1.2Nm (10.6Lb.in)



## CONN BARRIER STRIP 11mm

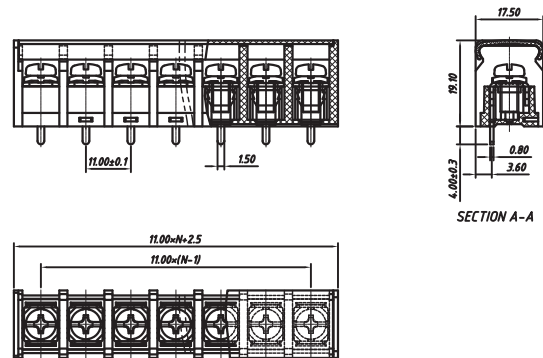


**KLS2-48B-11.0**

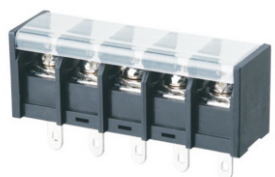
**Material**  
 Housing:PA66 UL94V-0,Black  
 Pin header:Brass 0.8t,Tin plated  
 Screw:M4 Steel Ni Plated

**Electrical**  
 Rated voltage:300V  
 Rated current:20A  
 Contact resistance: 20mΩ  
 Insulation resistance: 500MΩ/DC500V  
 Withstanding Voltage: AC2000V/1Min  
 Wire range:22-12AWG 4mm<sup>2</sup>

**Mechanical**  
 Temp.Range: -40°C~+105°C  
 Torque:1.2Nm (10.6Lb.in)



## CONN BARRIER STRIP 11mm

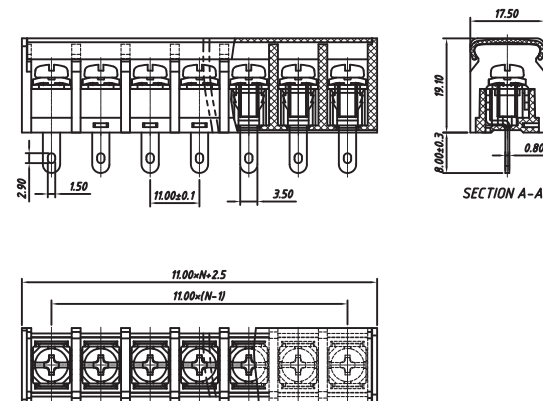


**KLS2-48C-11.0**

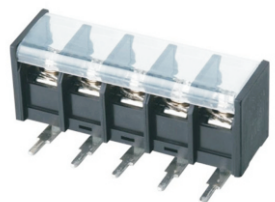
**Material**  
 Housing:PA66 UL94V-0,Black  
 Pin header:Brass 0.8t,Tin plated  
 Screw:M4 Steel Ni Plated

**Electrical**  
 Rated voltage:300V  
 Rated current:20A  
 Contact resistance: 20mΩ  
 Insulation resistance: 500MΩ/DC500V  
 Withstanding Voltage: AC2000V/1Min  
 Wire range:22-12AWG 4mm<sup>2</sup>

**Mechanical**  
 Temp.Range: -40°C~+105°C  
 Torque:1.2Nm (10.6Lb.in)



## CONN BARRIER STRIP 11mm

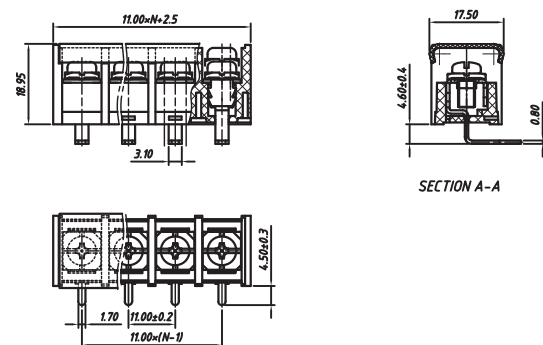


**KLS2-48R-11.0**

**Material**  
 Housing:PA66 UL94V-0,Black  
 Pin header:Brass 0.8t,Tin plated  
 Screw:M4 Steel Ni Plated

**Electrical**  
 Rated voltage:300V  
 Rated current:20A  
 Contact resistance: 20mΩ  
 Insulation resistance: 500MΩ/DC500V  
 Withstanding Voltage: AC2000V/1Min  
 Wire range:22-12AWG 4mm<sup>2</sup>

**Mechanical**  
 Temp.Range: -40°C~+105°C  
 Torque:1.2Nm (10.6Lb.in)





## CONN BARRIER STRIP 11mm

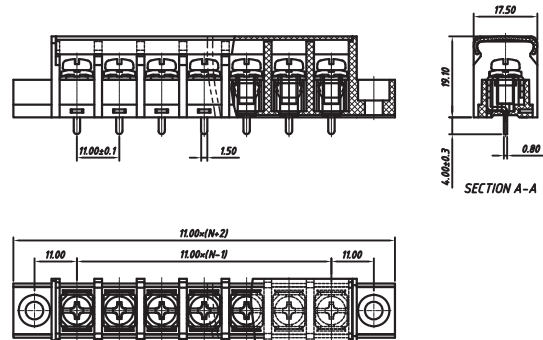


**KLS2-48A-11.0**

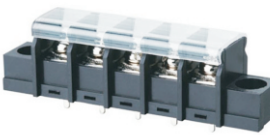
**Material**  
 Housing:PA66 UL94V-0,Black  
 Pin header:Brass 0.8t,Tin plated  
 Screw:M4 Steel Ni Plated

**Electrical**  
 Rated voltage:300V  
 Rated current:20A  
 Contact resistance: 20mΩ  
 Insulation resistance: 500MΩ/DC500V  
 Withstanding Voltage: AC2000V/1Min  
 Wire range:22-12AWG 4mm<sup>2</sup>

**Mechanical**  
 Temp.Range: -40°C~+105°C  
 Torque:1.2Nm (10.6Lb.in)



## CONN BARRIER STRIP 11mm

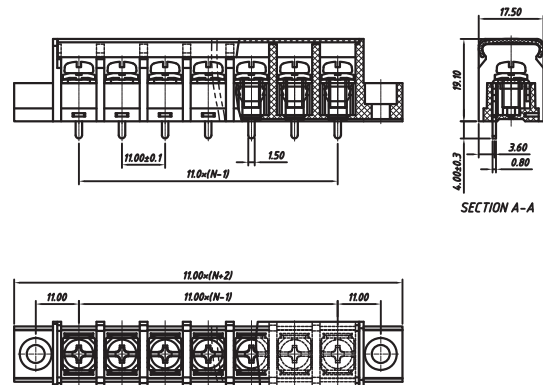


**KLS2-48B-11.0**

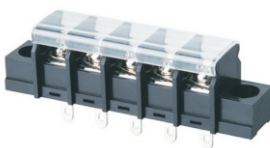
**Material**  
 Housing:PA66 UL94V-0,Black  
 Pin header:Brass 0.8t,Tin plated  
 Screw:M4 Steel Ni Plated

**Electrical**  
 Rated voltage:300V  
 Rated current:20A  
 Contact resistance: 20mΩ  
 Insulation resistance: 500MΩ/DC500V  
 Withstanding Voltage: AC2000V/1Min  
 Wire range:22-12AWG 4mm<sup>2</sup>

**Mechanical**  
 Temp.Range: -40°C~+105°C  
 Torque:1.2Nm (10.6Lb.in)



## CONN BARRIER STRIP 11mm

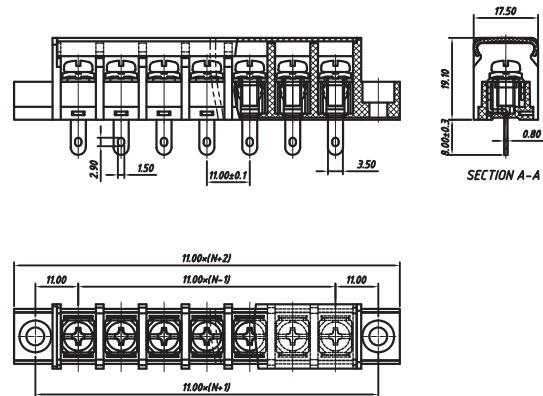


**KLS2-48C-11.0**

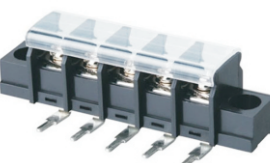
**Material**  
 Housing:PA66 UL94V-0,Black  
 Pin header:Brass 0.8t,Tin plated  
 Screw:M4 Steel Ni Plated

**Electrical**  
 Rated voltage:300V  
 Rated current:20A  
 Contact resistance: 20mΩ  
 Insulation resistance: 500MΩ/DC500V  
 Withstanding Voltage: AC2000V/1Min  
 Wire range:22-12AWG 4mm<sup>2</sup>

**Mechanical**  
 Temp.Range: -40°C~+105°C  
 Torque:1.2Nm (10.6Lb.in)



## CONN BARRIER STRIP 11mm

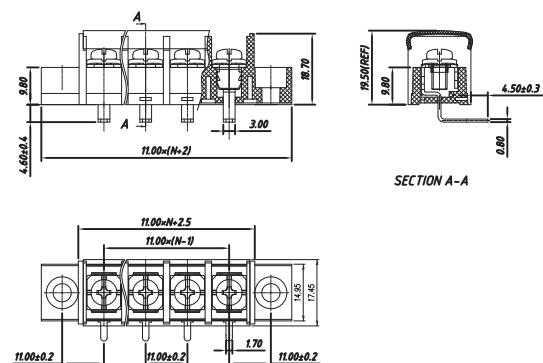


**KLS2-48R-11.0**

**Material**  
 Housing:PA66 UL94V-0,Black  
 Pin header:Brass 0.8t,Tin plated  
 Screw:M4 Steel Ni Plated

**Electrical**  
 Rated voltage:300V  
 Rated current:20A  
 Contact resistance: 20mΩ  
 Insulation resistance: 500MΩ/DC500V  
 Withstanding Voltage: AC2000V/1Min  
 Wire range:22-12AWG 4mm<sup>2</sup>

**Mechanical**  
 Temp.Range: -40°C~+105°C  
 Torque:1.2Nm (10.6Lb.in)





# Barrier Terminal Blocks

**CB RoHS ISO9001:2015**

## CONN BARRIER STRIP 13mm



**KLS2-48A-13.0**

**Material**

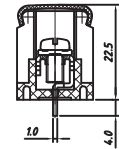
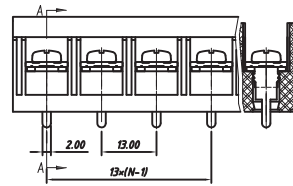
Housing:PA66 UL94V-0,Black  
Pin header:Brass 1.0T,Tin plated  
Screw:M4 Steel Ni Plated

**Electrical**

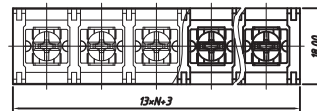
Rated voltage:600V  
Rated current:40A  
Contact resistance: 20mΩ  
Insulation resistance: 500MΩ/DC500V  
Withstanding Voltage: AC2000V/1Min  
Wire range:18-10AWG 6mm<sup>2</sup>

**Mechanical**

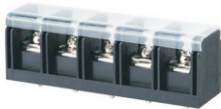
Temp.Range: -40°C~+105°C  
Torque:1.2Nm (10.6Lb.in)



SECTION A-A



## CONN BARRIER STRIP 13mm



**KLS2-48B-13.0**

**Material**

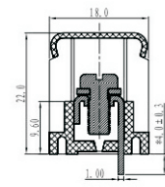
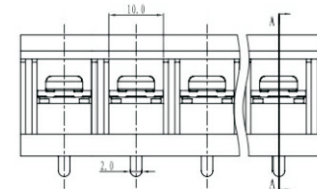
Housing:PA66 UL94V-0,Black  
Pin header:Brass 1.0T,Tin plated  
Screw:M4 Steel Ni Plated

**Electrical**

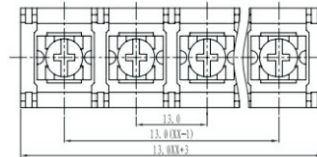
Rated voltage:600V  
Rated current:40A  
Contact resistance: 20mΩ  
Insulation resistance: 500MΩ/DC500V  
Withstanding Voltage: AC2000V/1Min  
Wire range:18-10AWG 6mm<sup>2</sup>

**Mechanical**

Temp.Range: -40°C~+105°C  
Torque:1.2Nm (10.6Lb.in)



SECTION A-A



## CONN BARRIER STRIP 13mm



**KLS2-48C-13.0**

**Material**

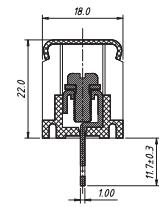
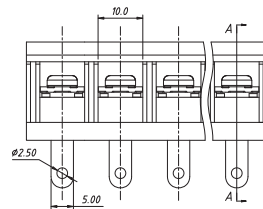
Housing:PA66 UL94V-0,Black  
Pin header:Brass 1.0T,Tin plated  
Screw:M4 Steel Ni Plated

**Electrical**

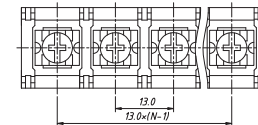
Rated voltage:600V  
Rated current:40A  
Contact resistance: 20mΩ  
Insulation resistance: 500MΩ/DC500V  
Withstanding Voltage: AC2000V/1Min  
Wire range:18-10AWG 6mm<sup>2</sup>

**Mechanical**

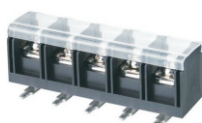
Temp.Range: -40°C~+105°C  
Torque:1.2Nm (10.6Lb.in)



SECTION A-A



## CONN BARRIER STRIP 13mm



**KLS2-48R-13.0**

**Material**

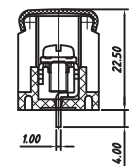
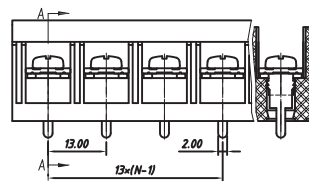
Housing:PA66 UL94V-0,Black  
Pin header:Brass 1.0T,Tin plated  
Screw:M4 Steel Ni Plated

**Electrical**

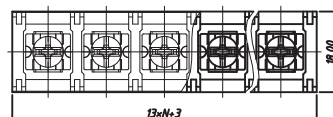
Rated voltage:600V  
Rated current:40A  
Contact resistance: 20mΩ  
Insulation resistance: 500MΩ/DC500V  
Withstanding Voltage: AC2000V/1Min  
Wire range:18-10AWG 6mm<sup>2</sup>

**Mechanical**

Temp.Range: -40°C~+105°C  
Torque:1.2Nm (10.6Lb.in)



SECTION A-A



## CONN BARRIER STRIP 13mm



KLS2-48A-13.0

### Material

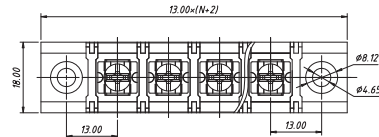
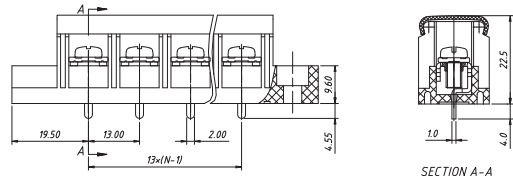
Housing: PA66 UL94V-0, Black  
Pin header: Brass 1.0T, Tin plated  
Screw: M4 Steel Ni Plated

### Electrical

Rated voltage: 600V  
Rated current: 30A  
Contact resistance: 20mΩ  
Insulation resistance: 500MΩ/DC500V  
Withstanding Voltage: AC2000V/1Min  
Wire range: 18-10AWG 6mm<sup>2</sup>

### Mechanical

Temp. Range: -40°C~+105°C  
Torque: 1.2Nm (10.6Lb.in)



## CONN BARRIER STRIP 13mm



KLS2-48B-13.0

### Material

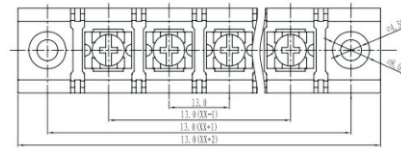
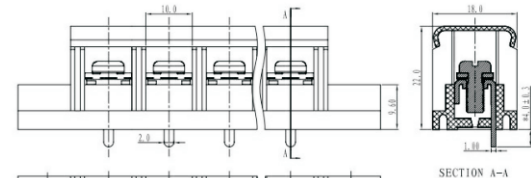
Housing: PA66 UL94V-0, Black  
Pin header: Brass 1.0T, Tin plated  
Screw: M4 Steel Ni Plated

### Electrical

Rated voltage: 600V  
Rated current: 30A  
Contact resistance: 20mΩ  
Insulation resistance: 500MΩ/DC500V  
Withstanding Voltage: AC2000V/1Min  
Wire range: 18-10AWG 6mm<sup>2</sup>

### Mechanical

Temp. Range: -40°C~+105°C  
Torque: 1.2Nm (10.6Lb.in)



## CONN BARRIER STRIP 13mm



KLS2-48C-13.0

### Material

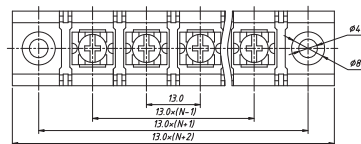
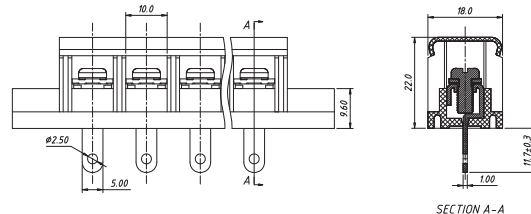
Housing: PA66 UL94V-0, Black  
Pin header: Brass 1.0T, Tin plated  
Screw: M4 Steel Ni Plated

### Electrical

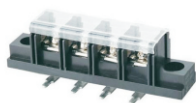
Rated voltage: 600V  
Rated current: 30A  
Contact resistance: 20mΩ  
Insulation resistance: 500MΩ/DC500V  
Withstanding Voltage: AC2000V/1Min  
Wire range: 18-10AWG 6mm<sup>2</sup>

### Mechanical

Temp. Range: -40°C~+105°C  
Torque: 1.2Nm (10.6Lb.in)



## CONN BARRIER STRIP 13mm



KLS2-48R-13.0

### Material

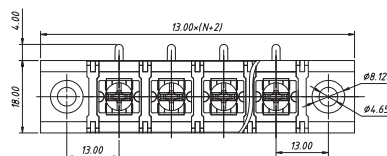
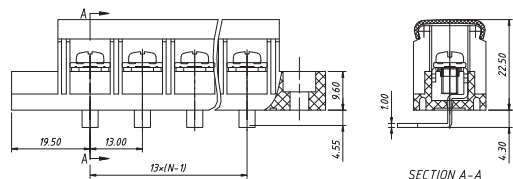
Housing: PA66 UL94V-0, Black  
Pin header: Brass 1.0T, Tin plated  
Screw: M4 Steel Ni Plated

### Electrical

Rated voltage: 600V  
Rated current: 30A  
Contact resistance: 20mΩ  
Insulation resistance: 500MΩ/DC500V  
Withstanding Voltage: AC2000V/1Min  
Wire range: 18-10AWG 6mm<sup>2</sup>

### Mechanical

Temp. Range: -40°C~+105°C  
Torque: 1.2Nm (10.6Lb.in)



# Barrier Terminal Blocks

**CB RoHS ISO9001:2015**

## CONN BARRIER STRIP 6.35mm



**KLS2-56B-6.35**

### Material

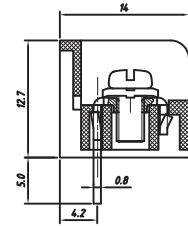
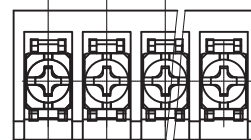
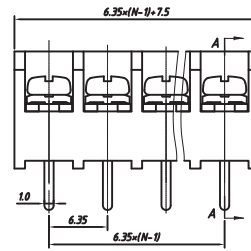
Housing: PA66 UL94V-0, Black  
Pin header: Brass 0.8T, Tin plated  
Screw: M3 Steel Ni Plated

### Electrical

Rated voltage: 300V  
Rated current: 10A  
Contact resistance: 20mΩ  
Insulation resistance: 500MΩ/DC500V  
Withstanding Voltage: AC2000V/1Min  
Wire range: 22-16AWG 1.5mm<sup>2</sup>

### Mechanical

Temp. Range: -40°C~+105°C  
Torque: 0.5Nm (4.5Lb.in)



SECTION A-A

## CONN BARRIER STRIP 6.35mm



**KLS2-56F-6.35**

### Material

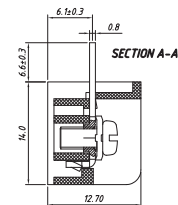
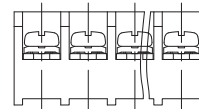
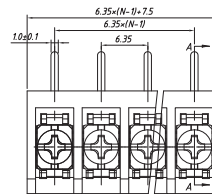
Housing: PA66 UL94V-0, Black  
Pin header: Brass, Tin plated  
Screw: M2.5 Steel Ni Plated

### Electrical

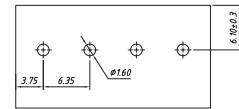
Rated voltage: 300V  
Rated current: 10A  
Contact resistance: 20mΩ  
Insulation resistance: 500MΩ/DC500V  
Withstanding Voltage: AC2000V/1Min  
Wire range: 22-16AWG 1.5mm<sup>2</sup>

### Mechanical

Temp. Range: -40°C~+105°C  
Torque: 0.5Nm (4.43Lb.in)

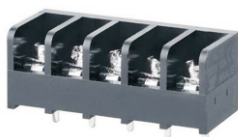


SECTION A-A



PCB LAYOUT

## CONN BARRIER STRIP 7.62mm



**KLS2-56B-7.62**

### Material

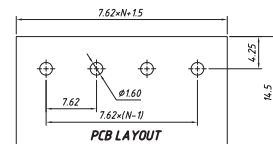
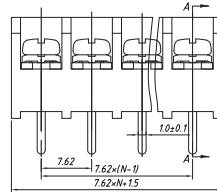
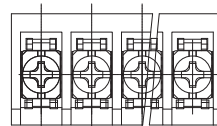
Housing: PA66 UL94V-0, Black  
Pin header: Brass, Tin plated  
Screw: M3 Steel Ni Plated

### Electrical

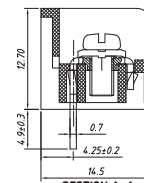
Rated voltage: 300V  
Rated current: 10A  
Contact resistance: 20mΩ  
Insulation resistance: 500MΩ/DC500V  
Withstanding Voltage: AC2000V/1Min  
Wire range: 22-12AWG 2.5mm<sup>2</sup>

### Mechanical

Temp. Range: -40°C~+105°C  
Torque: 0.5Nm (4.43Lb.in)



PCB LAYOUT



SECTION A-A

## CONN BARRIER STRIP 7.62mm



**KLS2-56F-7.62**

### Material

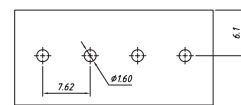
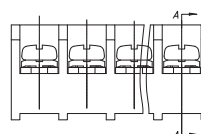
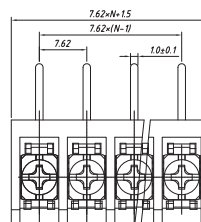
Housing: PA66 UL94V-0, Black  
Pin header: Brass, Tin plated  
Screw: M3 Steel Ni Plated

### Electrical

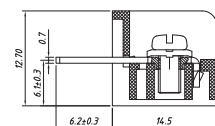
Rated voltage: 300V  
Rated current: 10A  
Contact resistance: 20mΩ  
Insulation resistance: 500MΩ/DC500V  
Withstanding Voltage: AC2000V/1Min  
Wire range: 22-16AWG 1.5mm<sup>2</sup>

### Mechanical

Temp. Range: -40°C~+105°C  
Torque: 0.5Nm (4.43Lb.in)



PCB LAYOUT



SECTION A-A

## CONN BARRIER STRIP 8.25mm



**KLS2-56B-8.25**

**Material**

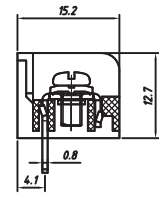
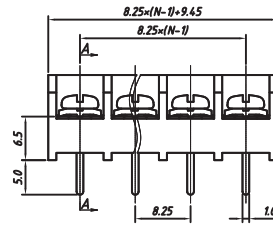
Housing:PA66 UL94V-0,Black  
Pin header:Brass 0.8T,Tin plated  
Screw:M3 Steel Ni Plated

**Electrical**

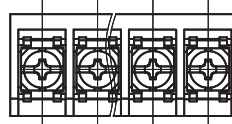
Rated voltage:300V  
Rated current:20A  
Contact resistance: 20mΩ  
Insulation resistance: 500MΩ/DC500V  
Withstanding Voltage: AC2000V/1Min  
Wire range:22-12AWG 4mm<sup>2</sup>

**Mechanical**

Temp.Range: -40°C~+105°C  
Torque:0.5Nm (4.5Lb.in)



SECTION A-A



## CONN BARRIER STRIP 8.25mm



**KLS2-56F-8.25**

**Material**

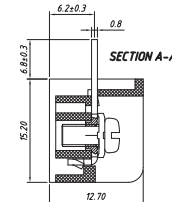
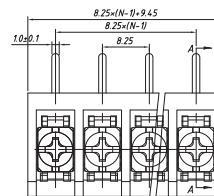
Housing:PA66 UL94V-0,Black  
Pin header:Brass ,Tin plated  
Screw:M3 Steel Ni Plated

**Electrical**

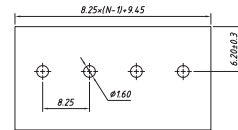
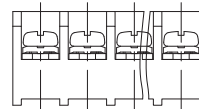
Rated voltage:300V  
Rated current:20A  
Contact resistance: 20mΩ  
Insulation resistance: 500MΩ/DC500V  
Withstanding Voltage: AC2000V/1Min  
Wire range:22-12AWG 2.5mm<sup>2</sup>

**Mechanical**

Temp.Range: -40°C~+105°C  
Torque:0.5Nm (4.5Lb.in)

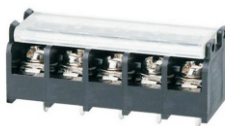


SECTION A-A



PCB LAYOUT

## CONN BARRIER STRIP 8.25mm



**KLS2-56K-8.25**

**Material**

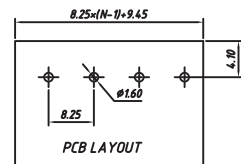
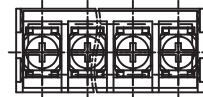
Housing:PA66 UL94V-0,Black  
Pin header:Brass ,Tin plated  
Screw:M3 Steel Ni Plated

**Electrical**

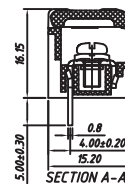
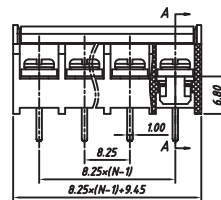
Rated voltage:300V  
Rated current:20A  
Contact resistance: 20mΩ  
Insulation resistance: 500MΩ/DC500V  
Withstanding Voltage: AC2000V/1Min  
Wire range:22-12AWG 2.5mm<sup>2</sup>

**Mechanical**

Temp.Range: -40°C~+105°C  
Torque:0.5Nm (4.5Lb.in)



PCB LAYOUT



SECTION A-A

## CONN BARRIER STRIP 9.50mm



**KLS2-56B-9.50**

**Material**

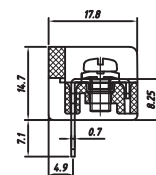
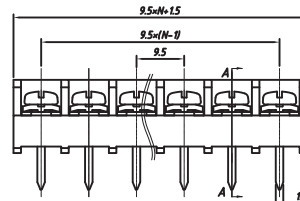
Housing:PA66 UL94V-0,Black  
Pin header:Brass 0.8T,Tin plated  
Screw:M4 Steel Ni Plated

**Electrical**

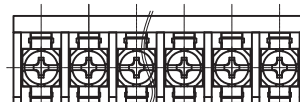
Rated voltage:300V  
Rated current:20A  
Contact resistance: 20mΩ  
Insulation resistance: 500MΩ/DC500V  
Withstanding Voltage: AC2000V/1Min  
Wire range:22-12AWG 4mm<sup>2</sup>

**Mechanical**

Temp.Range: -40°C~+105°C  
Torque:1.2Nm (10.6Lb.in)



SECTION A-A



# Barrier Terminal Blocks

UL US CE DVE CQC CB RoHS ISO9001:2015

**CONN BARRIER STRIP 9.50mm**

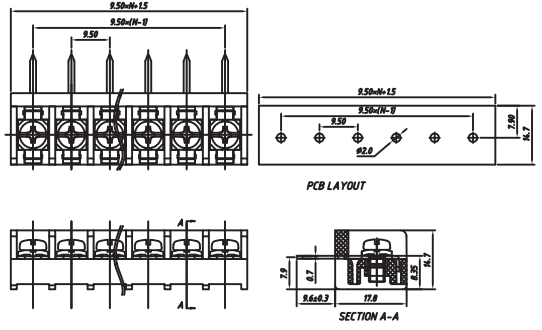


**KLS2-56F-9.50**

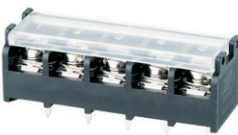
**Material**  
 Housing: PA66 UL94V-0, Black  
 Pin header: Brass, Tin plated  
 Screw: M4 Steel Ni Plated

**Electrical**  
 Rated voltage: 300V  
 Rated current: 20A  
 Contact resistance: 20mΩ  
 Insulation resistance: 500MΩ/DC500V  
 Withstanding Voltage: AC2000V/1Min  
 Wire range: 22-12AWG 2.5mm<sup>2</sup>

**Mechanical**  
 Temp. Range: -40°C~+105°C  
 Torque: 1.2Nm (10.6Lb.in)



**CONN BARRIER STRIP 9.50mm**

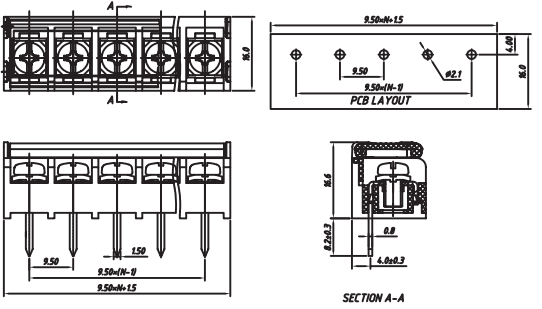


**KLS2-56K-9.50**

**Material**  
 Housing: PA66 UL94V-0, Black  
 Pin header: Brass, Tin plated  
 Screw: M4 Steel Ni Plated

**Electrical**  
 Rated voltage: 300V  
 Rated current: 20A  
 Contact resistance: 20mΩ  
 Insulation resistance: 500MΩ/DC500V  
 Withstanding Voltage: AC2000V/1Min  
 Wire range: 22-12AWG 2.5mm<sup>2</sup>

**Mechanical**  
 Temp. Range: -40°C~+105°C  
 Torque: 1.2Nm (10.6Lb.in)



**CONN BARRIER STRIP 11.0mm**

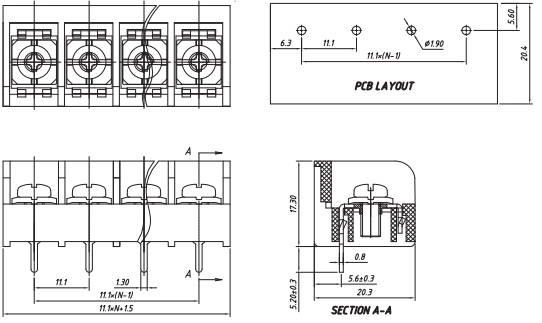


**KLS2-56B-11.0**

**Material**  
 Housing: PA66 UL94V-0, Black  
 Pin header: Brass, Tin plated  
 Screw: M4 Steel Ni Plated

**Electrical**  
 Rated voltage: 300V  
 Rated current: 30A  
 Contact resistance: 20mΩ  
 Insulation resistance: 500MΩ/DC500V  
 Withstanding Voltage: AC2000V/1Min  
 Wire range: 22-10AWG 4.0mm<sup>2</sup>

**Mechanical**  
 Temp. Range: -40°C~+105°C  
 Torque: 1.2Nm (10.6Lb.in)



**CONN BARRIER STRIP 11.0mm**

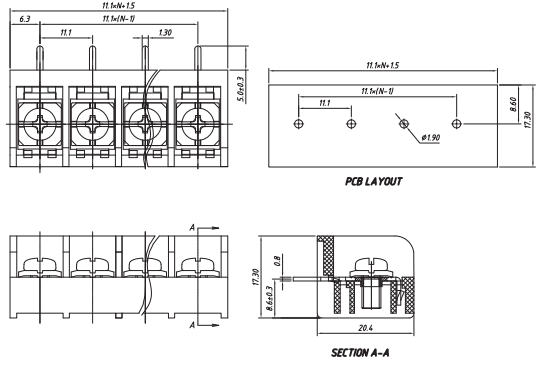


**KLS2-56F-11.0**

**Material**  
 Housing: PA66 UL94V-0, Black  
 Pin header: Brass, Tin plated  
 Screw: M4 Steel Ni Plated

**Electrical**  
 Rated voltage: 300V  
 Rated current: 30A  
 Contact resistance: 20mΩ  
 Insulation resistance: 500MΩ/DC500V  
 Withstanding Voltage: AC2000V/1Min  
 Wire range: 22-10AWG 4.0mm<sup>2</sup>

**Mechanical**  
 Temp. Range: -40°C~+105°C  
 Torque: 1.2Nm (10.6Lb.in)





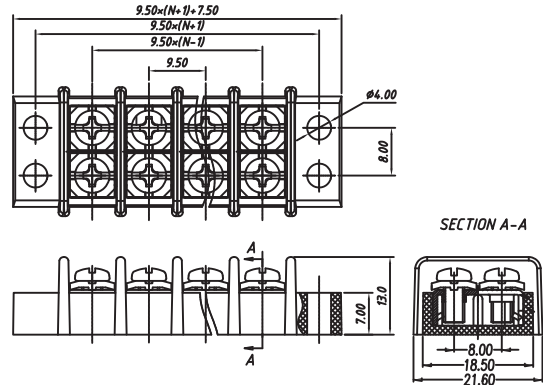
## CONN BARRIER STRIP 9.50mm



**Material**  
 Housing:PA66 UL94V-0,Black  
 Pin header:Brass ,Tin plated  
 Screw:M3.5 Steel Ni Plated

**Electrical**  
 Rated voltage:300V  
 Rated current:20A  
 Contact resistance: 20mΩ  
 Insulation resistance: 500MΩ/DC500V  
 Withstanding Voltage: AC2000V/1Min  
 Wire range:22-12AWG 2.5mm<sup>2</sup>

**Mechanical**  
 Temp.Range: -40°C~+105°C  
 Torque:0.8Nm (7.0Lb.in)



KLS2-BS-9.50A

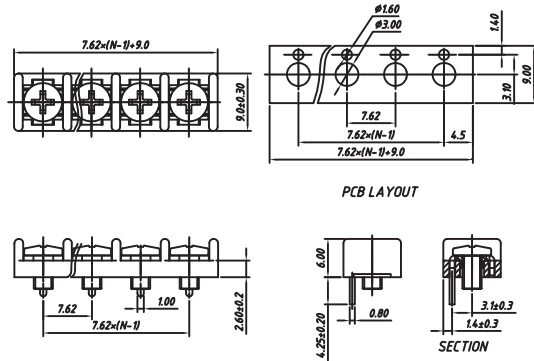
## CONN BARRIER STRIP 7.62mm



**Material**  
 Housing:PA66 UL94V-0,Black  
 Pin header:Brass ,Tin plated  
 Screw:M3.5 Steel Ni Plated

**Electrical**  
 Rated voltage:300V  
 Rated current:10A  
 Contact resistance: 20mΩ  
 Insulation resistance: 500MΩ/DC500V  
 Withstanding Voltage: AC2000V/1Min  
 Wire range:22-16AWG 1.5mm<sup>2</sup>

**Mechanical**  
 Temp.Range: -40°C~+105°C  
 Torque:0.5Nm (4.43Lb.in)



KLS2-25M-7.62

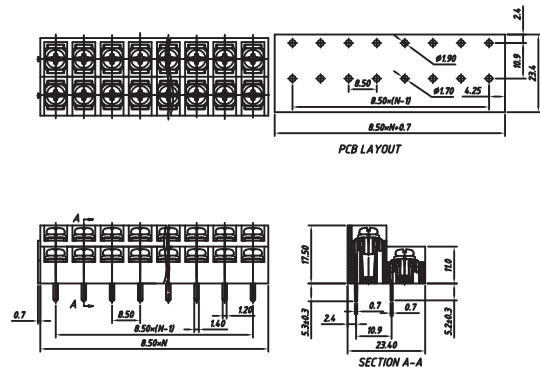
## CONN BARRIER STRIP 8.50mm



**Material**  
 Housing:PA66 UL94V-0,Black  
 Pin header:Brass ,Tin plated  
 Screw:M3.0 Steel Ni Plated

**Electrical**  
 Rated voltage:300V  
 Rated current:10A  
 Contact resistance: 20mΩ  
 Insulation resistance: 500MΩ/DC500V  
 Withstanding Voltage: AC2000V/1Min  
 Wire range:22-16AWG 1.5mm<sup>2</sup>

**Mechanical**  
 Temp.Range: -40°C~+105°C  
 Torque:0.5Nm (4.43Lb.in)



KLS2-35M-8.50

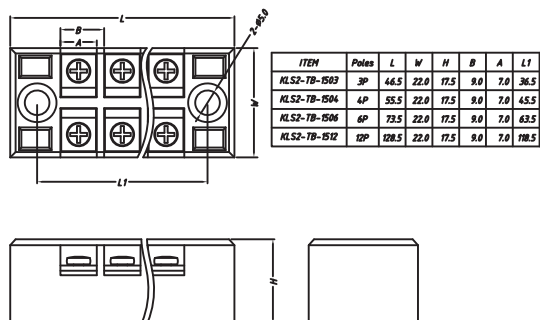
## CONN BARRIER STRIP 15A



**Material**  
 Housing:PC,UL 94V-2,Black(Transparent)  
 Screw:M3 Steel Ni Plated  
 Contact:Brass,Nickel plated or  
 Copper,Tin plated

**Electrical**  
 Rated voltage:600V  
 Rated current:15A  
 Wire range:14AWG 2.0mm<sup>2</sup>

**Mechanical**  
 Temp. Range:-40 ° C ~ + 105 ° C  
 Torque:0.5Nm (4.4Lb.in)



KLS2-TB-15XX

# Barrier Terminal Blocks

**CB RoHS ISO9001:2015**

## CONN BARRIER STRIP 25A



KLS2-TB-25XX

### Material

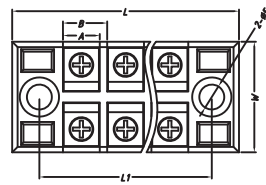
Housing:PC,UL 94V-2,Black(Transparent)  
 Screw:M4 Steel Ni Plated  
 Contact:Brass,Nickel plated or  
 Copper,Tin plated

### Electrical

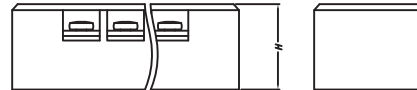
Rated voltage:600V  
 Rated current:25A  
 Wire range:10AWG 6.0mm<sup>2</sup>

### Mechanical

Temp. Range:-40 ° C ~ + 105 ° C  
 Torque:1.2Nm (10.6Lb.in)



ITEM	Poles	L	W	H	B	A	L1
KLS2-TB-2503	3P	50.5	28.0	19.0	10.0	8.0	48.0
KLS2-TB-2504	4P	61.5	28.0	19.0	10.0	8.0	51.0
KLS2-TB-2506	6P	82.5	28.0	19.0	10.0	8.0	72.0
KLS2-TB-2512	12P	147.5	28.0	19.0	10.0	8.0	136.0



## CONN BARRIER STRIP 35A



KLS2-TB-35XX

### Material

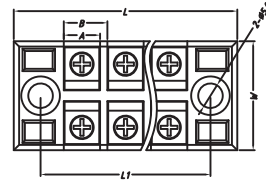
Housing:PC,UL 94V-2,Black(Transparent)  
 Screw:M4 Steel Ni Plated  
 Contact:Brass,Nickel plated or  
 Copper,Tin plated

### Electrical

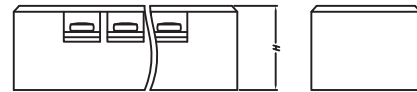
Rated voltage:600V  
 Rated current:35A  
 Wire range:8AWG 10.0mm<sup>2</sup>

### Mechanical

Temp. Range:-40 ° C ~ + 105 ° C  
 Torque:1.2Nm (10.6Lb.in)



ITEM	Poles	L	W	H	B	A	L1
KLS2-TB-3503	3P	56.0	30.0	19.5	12.0	10.0	45.0
KLS2-TB-3504	4P	66.0	30.0	19.5	12.0	10.0	57.0
KLS2-TB-3506	6P	92.0	30.0	19.5	12.0	10.0	81.0
KLS2-TB-3512	12P	164.0	30.0	19.5	12.0	10.0	153.0



## CONN BARRIER STRIP 45A



KLS2-TB-45XX

### Material

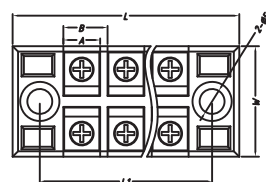
Housing:PC,UL 94V-2,Black(Transparent)  
 Screw:M5 Steel Zn Plated  
 Contact:Brass,Nickel plated or  
 Copper,Tin plated

### Electrical

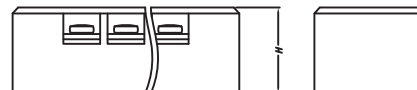
Rated voltage:600V  
 Rated current:45A

### Mechanical

Temp. Range:-40 ° C ~ + 105 ° C  
 Torque:1.2Nm (10.6Lb.in)



ITEM	Poles	L	W	H	B	A	L1
KLS2-TB-4503	3P	70.0	30.0	23.5	17.0	15.0	60.5
KLS2-TB-4504	4P	86.0	30.0	23.5	17.0	15.0	75.5
KLS2-TB-4505	5P	102.5	30.0	23.5	17.0	15.0	92.0
KLS2-TB-4506	6P	120.5	30.0	23.5	17.0	15.0	110.0
KLS2-TB-4512	12P	222.0	30.0	23.5	17.0	15.0	215.0



## CONN BARRIER STRIP 60A



KLS2-TB-60XX

### Material

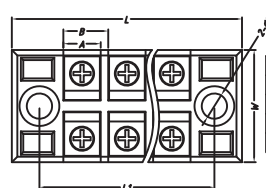
Housing:PC,UL 94V-2,Black(Transparent)  
 Screw:M6 Steel Zn Plated  
 Contact:Brass,Nickel plated or  
 Copper,Tin plated

### Electrical

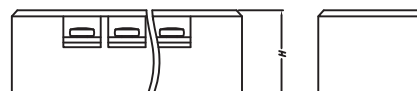
Rated voltage:600V  
 Rated current:60A

### Mechanical

Temp. Range:-40 ° C ~ + 105 ° C  
 Torque:1.2Nm (10.6Lb.in)



ITEM	Poles	L	W	H	B	A	L1
KLS2-TB-603	3P	76.5	30.0	31.0	18.0	15.5	65.5
KLS2-TB-604	4P	93.5	30.0	31.0	18.0	15.5	82.5
KLS2-TB-606	6P	129.0	30.0	31.0	18.0	15.5	118.0
KLS2-TB-6012	12P	200.0	30.0	31.0	18.0	15.5	189.0



## CONN BARRIER STRIP 100A

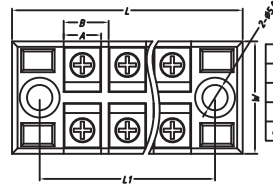


KLS2-TB-100XX

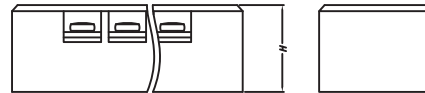
**Material**  
 Housing:PC,UL 94V-2,Black(Transparent)  
 Screw:M6 Steel Zn Plated  
 Contact:Brass,Nickel plated or  
 Copper,Tin plated

**Electrical**  
 Rated voltage:600V  
 Rated current:100A

**Mechanical**  
 Temp. Range:-40 ° C ~ + 105 ° C  
 Torque:1.2Nm (10.6Lb.in)



ITEM	Poles	L	W	H	B	A	L1
KLS2-TB-1003	3P	96.5	43.5	35.0	22.0	20.0	75.5
KLS2-TB-1004	4P	108.0	43.5	35.0	22.0	20.0	96.0
KLS2-TB-1006	6P	153.0	43.5	35.0	22.0	20.0	140.0
KLS2-TB-1012	12P	290.0	43.5	35.0	22.0	20.0	187.0



## CONN BARRIER STRIP 60A

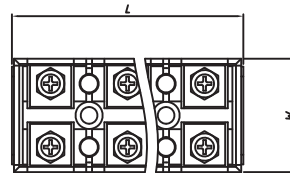


KLS2-TC-60X

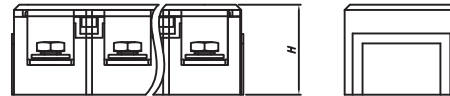
**Material**  
 Housing:PC,UL 94V-2,Black(Transparent)  
 Screw:M6 Steel Zn Plated  
 Contact:Brass,Nickel plated or  
 Copper,Tin plated

**Electrical**  
 Rated voltage:600V  
 Rated current:60A  
 Wire range:14mm<sup>2</sup>

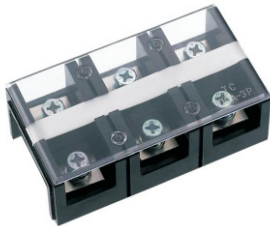
**Mechanical**  
 Temp. Range:-40 ° C ~ + 105 ° C  
 Torque:1.2Nm (10.6Lb.in)



ITEM	Poles	L	W	H
KLS2-TC-603	3P	85.0	43.0	32.5
KLS2-TC-604	4P	112.0	43.0	32.5



## CONN BARRIER STRIP 100A

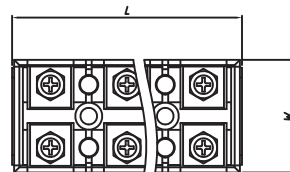


KLS2-TC-100X

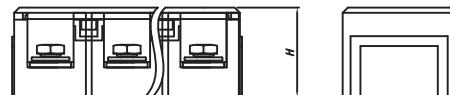
**Material**  
 Housing:PC,UL 94V-2,Black(Transparent)  
 Screw:M6 Steel Zn Plated  
 Contact:Brass,Nickel plated or  
 Copper,Tin plated

**Electrical**  
 Rated voltage:600V  
 Rated current:100A  
 Wire range:22mm<sup>2</sup>

**Mechanical**  
 Temp. Range:-40 ° C ~ + 105 ° C  
 Torque:1.2Nm (10.6Lb.in)



ITEM	Poles	L	W	H
KLS2-TC-1002	2P	68.0	54.5	37.8
KLS2-TC-1003	3P	104.0	55.4	37.8
KLS2-TC-1004	4P	136.0	55.5	37.8



## CONN BARRIER STRIP 150A

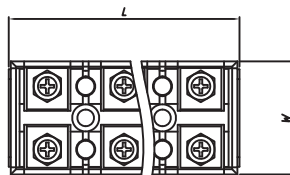


KLS2-TC-150X

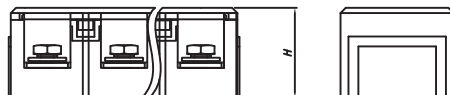
**Material**  
 Housing:PC,UL 94V-2,Black(Transparent)  
 Screw:M8 Steel Zn Plated  
 Contact:Brass,Nickel plated or  
 Copper,Tin plated

**Electrical**  
 Rated voltage:600V  
 Rated current:150A  
 Wire range:60mm<sup>2</sup>

**Mechanical**  
 Temp. Range:-40 ° C ~ + 105 ° C  
 Torque:1.2Nm (10.6Lb.in)



ITEM	Poles	L	W	H
KLS2-TC-1503	3P	117.0	67.0	40.8
KLS2-TC-1504	4P	157.0	67.0	40.8



# Barrier Terminal Blocks





**CB RoHS ISO9001:2015**

## CONN BARRIER STRIP 200A

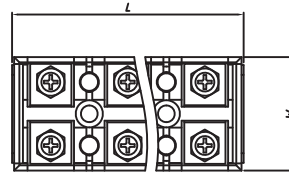


**KLS2-TC-200X**

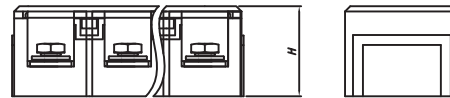
**Material**  
 Housing:PC,UL 94V-2,Black(Transparent)  
 Screw:M8 Steel Zn Plated  
 Contact:Brass,Nickel plated or  
 Copper,Tin plated

**Electrical**  
 Rated voltage:600V  
 Rated current:200A  
 Wire range:100mm<sup>2</sup>

**Mechanical**  
 Temp. Range:-40 ° C ~ + 105 ° C  
 Torque:1.2Nm (10.6Lb.in)



ITEM	Poles	L	W	H
KLS2-TC-2003	3P	134.0	72.0	46.5
KLS2-TC-2004	4P	177.0	72.0	46.5



## CONN BARRIER STRIP 300A

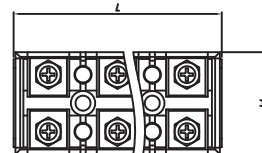


**KLS2-TC-300X**

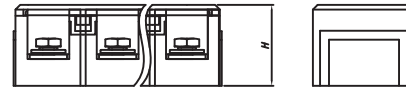
**Material**  
 Housing:PC,UL 94V-2,Black(Transparent)  
 Screw:M8 Steel Zn Plated  
 Contact:Brass,Nickel plated or  
 Copper,Tin plated

**Electrical**  
 Rated voltage:600V  
 Rated current:300A  
 Wire range:150mm<sup>2</sup>

**Mechanical**  
 Temp. Range:-40 ° C ~ + 105 ° C  
 Torque:1.2Nm (10.6Lb.in)



ITEM	Poles	L	W	H
KLS2-TC-3003	3P	164.0	90.5	50.6
KLS2-TC-3004	4P	200.0	98.4	50.6



## CONN BARRIER STRIP 400A

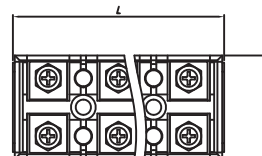


**KLS2-TC-400X**

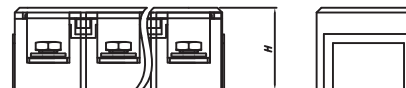
**Material**  
 Housing:PC,UL 94V-2,Black(Transparent)  
 Screw:M10 Steel Zn Plated  
 Contact:Brass,Nickel plated or  
 Copper,Tin plated

**Electrical**  
 Rated voltage:600V  
 Rated current:400A  
 Wire range:200mm<sup>2</sup>

**Mechanical**  
 Temp. Range:-40 ° C ~ + 105 ° C  
 Torque:1.2Nm (10.6Lb.in)



ITEM	Poles	L	W	H
KLS2-TC-4003	3P	164.0	90.5	50.6
KLS2-TC-4004	4P	220.0	89.5	50.6



## CONN BARRIER STRIP 600A

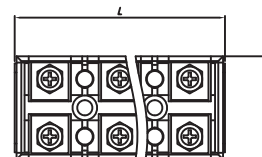


**KLS2-TC-600X**

**Material**  
 Housing:PC,UL 94V-2,Black(Transparent)  
 Screw:M12 Steel Zn Plated  
 Contact:Brass,Nickel plated or  
 Copper,Tin plated

**Electrical**  
 Rated voltage:600V  
 Rated current:600A  
 Wire range:300mm<sup>2</sup>

**Mechanical**  
 Temp. Range:-40 ° C ~ + 105 ° C  
 Torque:1.2Nm (10.6Lb.in)



ITEM	Poles	L	W	H
KLS2-TC-6003	3P	205.0	100.0	75.0
KLS2-TC-6004	4P	275.0	100.0	75.0



**KLS**  
electronic

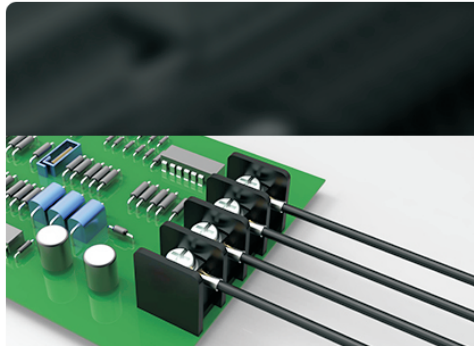
**ISO9001:2015**

**Your Best Components Sourcing**

---



Terminal Block  
Rising clamp



Barrier Terminal Blocks

---

**KLS ELECTRONIC CO.,LTD.**